

FL50S-825BL1

NEOMOUNTS FLOOR STAND

SPECIFICATIONS

GENERAL

Min. screen size*	37 inch
Max. screen size*	75 inch
Min. weight	0 kg (per screen)
Max. weight	70 kg (per screen)
Screens	1
VESA minimum	100x100 mm
VESA maximum	600x400 mm

FUNCTIONALITY

Type	Fixed
Height adjustment	104-157 cm
Lockable	Lockable - Padlock not included
Tilt (degrees)	+0°, -5°
Height	175 cm
Width	90,3 cm
Depth	70,2 cm
Adjustment type	Manual

INFORMATION

Color	Black
Main material	Steel
Warranty	5 year
Certification	TUV
EAN code	8717371449650

*Please note: The inch sizes stated are just an indication, combined with the weight and VESA sizes. The maximum weight and VESA size are absolute restrictions for the products and should not be exceeded.



Neomounts



Neomounts

Neomounts FL50S-825BL1 mobile floor stand for 37-75" screens - Black

The Neomounts FL50S-825BL1 MOVE Up is a mobile floor stand for flat screens up to 75" with a maximum weight capacity of 70 kg. The floor stand is manually adjustable in height (104-157 cm), as well as the bracket head. A lockable, ventilated hardware compartment with cable opening is included and optional for installation (both portrait and landscape).

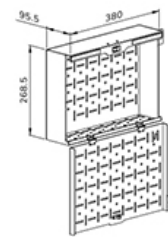
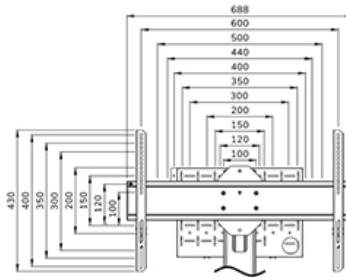
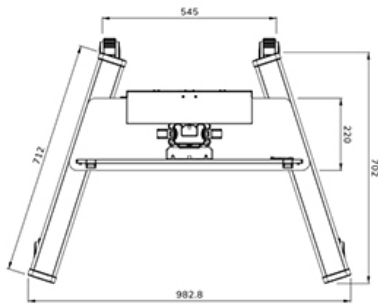
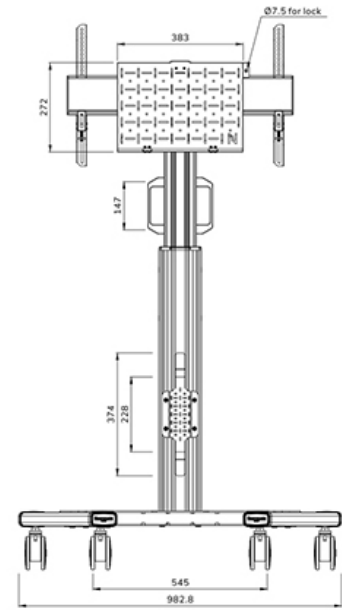
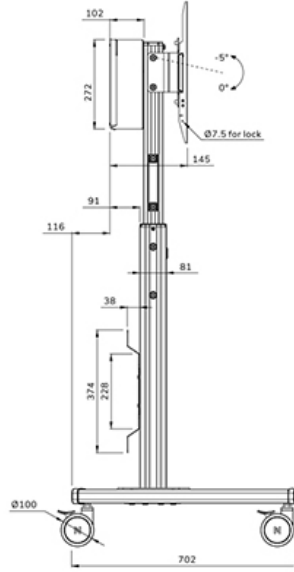
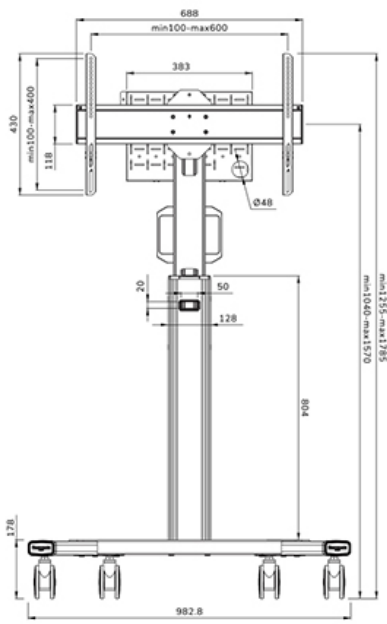
The MOVE Up trolley features practical handles and four solid 10 cm double locking caster wheels that allow you to move and use the floor stand wherever you like. Due to the large caster wheels, thresholds or carpets are no challenge to the FL50S-825BL1. The clever internal cable management system has various in and out outlets for flexible use (above, in the middle where the media player is placed and at the bottom of the trolley) and conceals and routes cables from floor stand to screen. The floor stand has a practical cable management bracket at the back, for easy and safe relocation. Additionally, at the bottom of the trolley a space with tie wrap holes is available to install a power strip. The FL50S-825WH1 is compactly packed for optimized transportation and storage.

The universal AFLS-825BL1 and AV1-825BL videobar & multimedia kits are optionally available and enable the installation of a separate cam shelf and multimedia device shelf to the trolley. Included to the kits are an adapter for respectively the Logitech Rally Bar (Mini) or Bose Professional VB-S/VB1. Also available is the practical ABL-875 wheel brake lock set, to prevent unwanted relocation of the trolley.



FL50S-825BL1

NEOMOUNTS FLOOR STAND



Neomounts

Measuring unit: mm