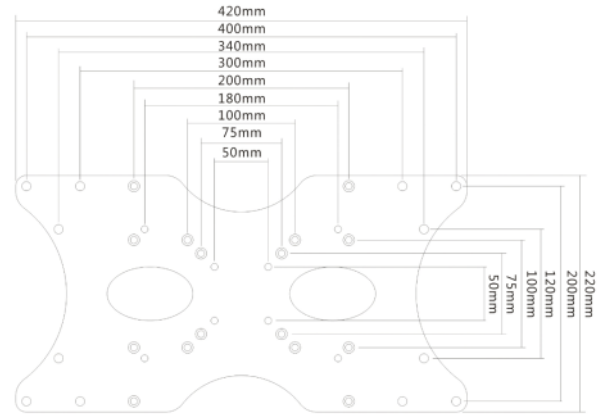


## MonLines V091

### VESA adapter plate up to 400 x 200 mm



## Description

The MonLines V091 adapter plate in black enables the VESA mount to be easily expanded from a minimum of 50x50 mm to a maximum of 400x200 mm. If your display has a hole pattern of 50x50 mm, 75x75 mm, 100x100 mm or 100x200 mm, but needs to fit on a 200x200 mm or 400x200 mm mount, then the MonLines VESA adapter plate is the ideal solution!

This adapter plate is suitable for screens with a size of 32 to 55 inches and can support a weight of up to 30 kg. With a shallow depth of just 2 millimeters, the adapter is unobtrusive and discreetly disappears between the mount and the screen.

## Key features

Mounting:	Adapter between monitor and bracket
VESA standard:	50x50, 75x75, 100x100, 180x120, 200x100, 200x200, 300x200, 340x120, 400x200 mm
Capacity:	30 kg
Suitable for:	32" - 55" monitors
Depth of adapter:	2 mm
Colour:	Black