

# MonLines SIDES TV SideBoard with motorized lift

## Operating instructions



Please read the operating instructions before assembly - installation - commissioning! This will protect you and prevent damage to your product.

## Congratualtions!

With the MonLines SIDES you have chosen a high-quality product that offers you great benefits in the areas of comfort and design at a high technical level.

The usability and service life of the MonLines SIDEB depends on proper and professional installation, operation, care and compliance of the instructions contained in these installation instructions. Any electrical connections that may be required should only be made by the appropriate professional.

The SIDES TV SideBoard is electrically operated. To avoid danger and prevent wear and tear on the built-in electronics, please read the instructions carefully.

### Table of contents

1. Images.....	3
2. Operating instructions.....	4
3. Safety instructions.....	4
4. Checking scope of delivery.....	4
5. Mounting VESA plate on TV & operating lift switch.....	5
6. Troubleshooting advices.....	6

## 1. Images



Fig. 1 standard colour variations



Fig. 2 Lift switch



Fig. 3 Multiple outlet sockets



Fig. 4 removable front panel



Fig. 5 soft close hinge



Fig. 6 Lift with VESA standard

## 2. Operating instructions

1. Before assembly, check all components received against the scope of delivery. If any parts are damaged or missing, please contact us by e-mail or telephone.
2. Do not operate the lift system in a damp or wet environment.
3. Select an installation location with sufficient space to be able to extend and retract the mount.
4. Only use suitable tools.
5. Use only the screws supplied and do not overtighten them.
6. Only mount load-bearing components in accordance with the mounting instructions. Improper installation may result in damage or injury.
7. Do not use televisions that exceed the permissible weight. Improper use may result in damage or injury.

## 3. Safety instructions

1. Use the SIDES indoors only. Outdoor use may result in damage or injury.
2. Use the lift system only with the supplied power supply. Modifications to the supplied power supply are not permitted.
3. Never operate the lift system with a damaged mains cable or plug. If any parts are damaged, please contact us.
4. Do not clean the lift system while it is in operation.
5. Never unscrew the components of the lift system by yourself. Do not disassemble or replace any components.
6. This product contains small parts that may cause a choking hazard if swallowed. Keep these parts away from children.
7. Ensure that the TV Lift is used by children (8 years and older) only under supervision or after receiving proper instruction.
8. regardless of the weight, do NOT exceed the duty cycle of approx. 6 minutes per hour or max. 2 minutes for continuous operation, as this will result in a risk of injury be exceeded, as this may cause the motor to overheat. Exceeding the duty cycle can significantly reduce the service life of the system.

## 4. Checking scope of delivery

1. Scope of delivery:
  - Sideboard incl. lift system
  - VESA mount / adapter / screws for the TV set (see Fig. 7)
2. Remove the packaging material carefully and without sharp objects.
3. Check the scope of delivery for completeness and proper condition.
4. If any parts are missing or damaged, please contact us immediately.
5. Dispose of the packaging material in accordance with national regulations.

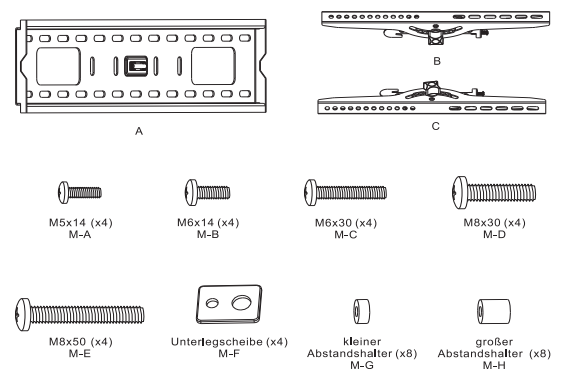


Fig. 7 Scope of delivery screws

## 5. Mounting VESA plate on TV & operating lift switch

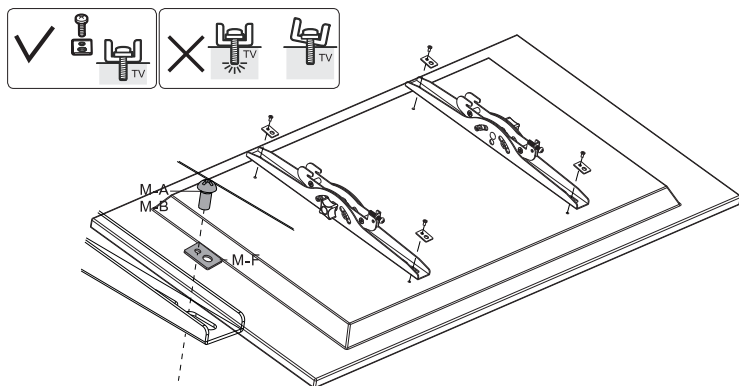


Fig. 8 Installation for TV sets / monitors with flat backsides

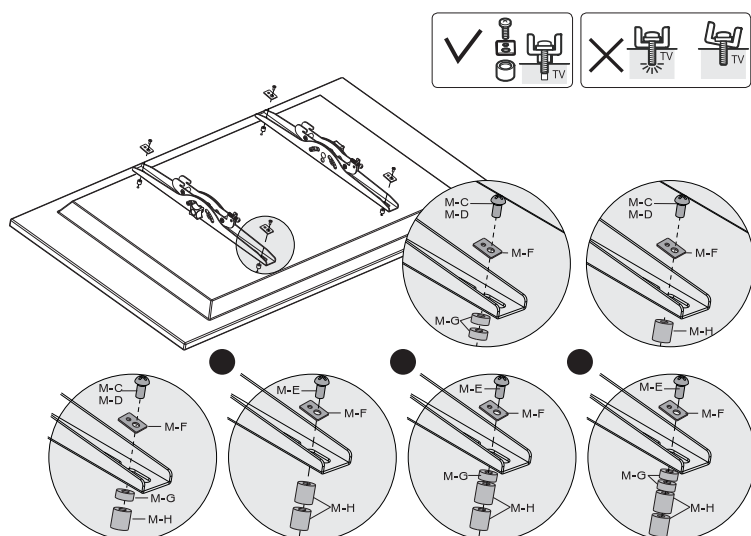


Fig. 9 Installation for TV sets / monitors with curved backsides

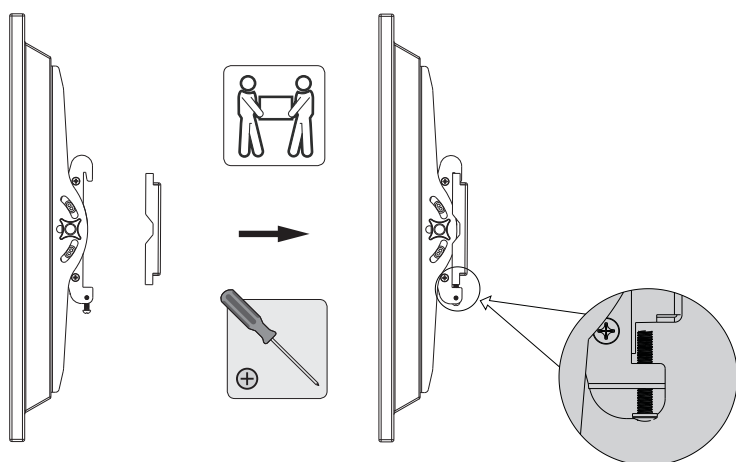


Fig. 10 Mounting the TV / screen onto the VESA plate

### Mounting the braces on the TV rear side

Disconnect the TV from the mains before you start mounting. We recommend that you spread a blanket the size of your screen on the floor in preparation. Loosen the screws of the current TV stand. Please be careful not to damage the TV. Carefully place the front of the screen on the blanket so that you can attach the VESA braces to the VESA mount on the back of the TV.

For TV sets / monitors with a flat back select the M-A / M-B screws (Fig. 8). For monitors with a curved back (curved monitors) select the M-C / M-D / M-E screws (Fig. 9). Insert the spacers M-G / M-H depending on the condition / curvature of the monitor. The washers M-F serve for stabilisation and the surface of the struts is thereby spared. Tighten all screws firmly with a screwdriver, but do not overtighten.

### Mounting the TV set onto a VESA plate

Connect the flat plug / mains plug of the sideboard to the socket (220V). Use the lift switch to move the lift unit to the highest position (see below for operation of the lift switch). To lift large, heavy flat screens, enlist the help of a second person and carefully hook in the TV (Fig. 10). Mount your TV on the VESA mount on the lift unit. Then tighten the safety screws with a suitable screwdriver without overtightening.

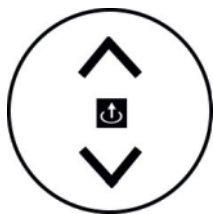


Fig. 11 Up/Down Lift Hand Switch

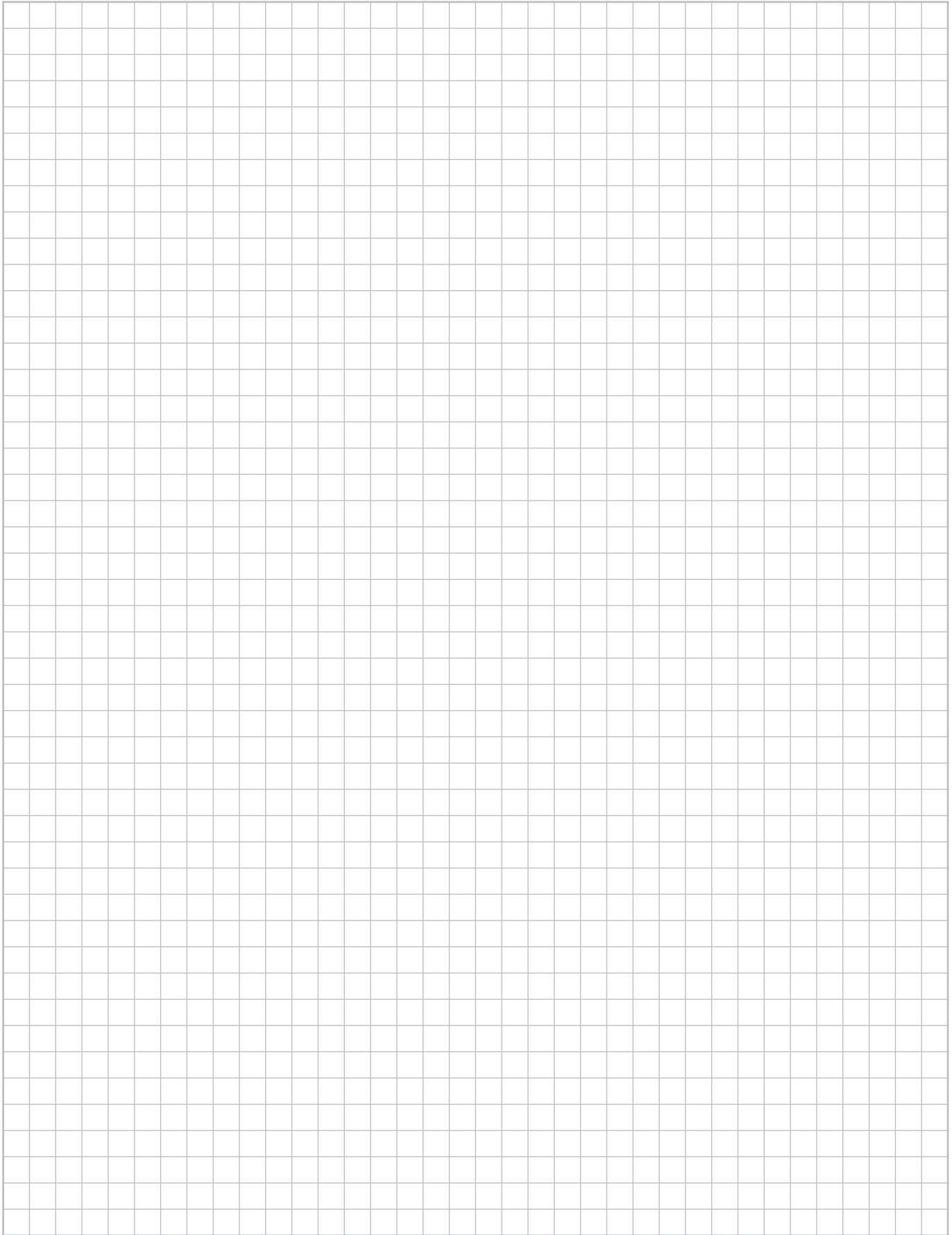
### Test run / operation of the manual lift switch

Then test the TV lift with the mounted TV set/monitor by pressing the down button. Make sure that the screen retracts completely into the sideboard. The lid closes automatically with the soft-close mechanism. To prevent uncontrolled upward or downward movement of the lift, the up/down button (Fig. 11) must always be pressed manually during the entire movement process. Releasing a button causes the lift to stop at the corresponding point. Please ensure that no cables are pinched or come under tension during the lifting movement.

## 6. Troubleshooting advices

Error	Possible sources	Check / verify
The lift unit does not move.	Overheating	Let the unit cool down to room temperature for approx. 30 minutes.
	No power connection	Check that the mains cable is correctly connected to the socket as well as the power supply unit.
	Incorrect operation	Make sure that you have followed the instructions in this manual properly.
The lift unit stops during operation.	Blockage due to impurities	Remove the foreign object and operate the hand switch again.
	TV lift too heavy	Make sure that the weight of the TV set does not exceed the max. load capacity.
The lift unit makes an unusual noise.	Cable damaged / TV lift overloaded	Please contact us by e-mail or telephone.

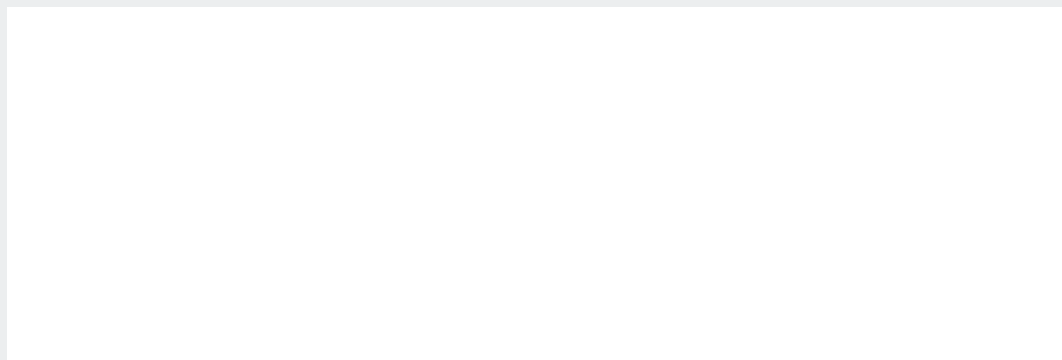
## Notes

A large rectangular grid of graph paper, consisting of 30 columns and 40 rows of small squares. The grid is empty and intended for taking notes.

# MonLines SIDES SideBoard with motorized lift

Please contact us

Your MonLines dealer / specialist partner



Changes reserved

MonLines  
Am Marienhof 8  
22880 Wedel  
Germany

E-Mail: [info@monlines.com](mailto:info@monlines.com)  
Web: [www.monlines.com](http://www.monlines.com)  
Tel.: +49 (0) 4103 / 90387 - 0  
Fax: +49 (0) 4103 / 90387 - 11

 **MonLines**  
dividual