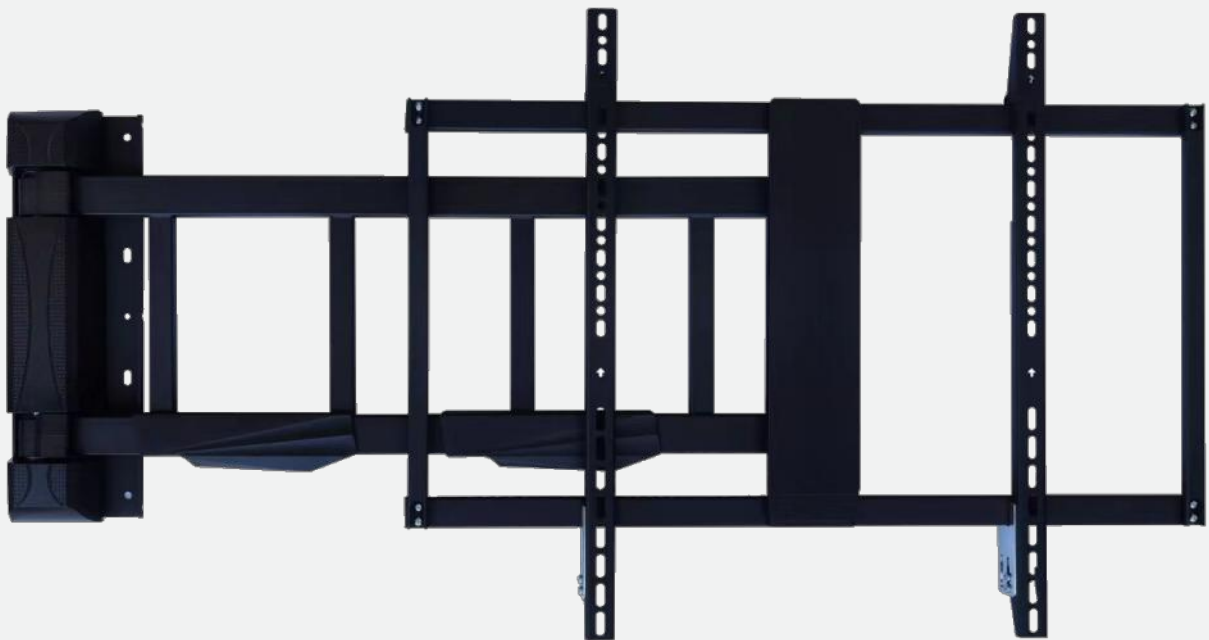


MonLines mySwing MSM10 electric TV wall mount

Mounting instructions



Be sure to read the assembly instructions before assembly - installation - commissioning!
This will protect you and avoid damage to your product.

Congratulations!

With the MonLines mySwing TV wall mount you have chosen a high-quality product that offers you great benefits in terms of comfort and design at a high technical level.

The usability and service life of the MonLines mySwing bracket depend on proper and professional installation as well as operation, care and compliance with the instructions contained in this assembly manual. Any electrical connections required should only be carried out by a qualified specialist..

The mySwing MSM10 mount is electrically operated. To avoid danger and to prevent wear of the built-in electronics, please read the instructions carefully.

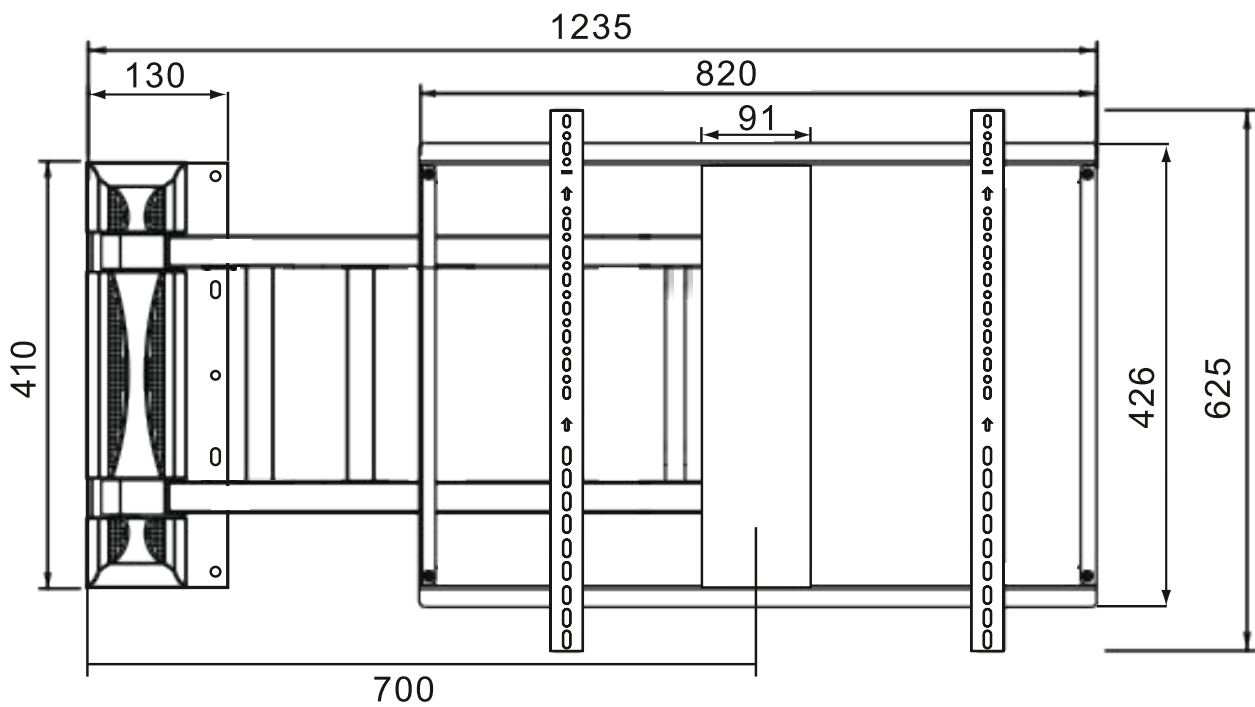
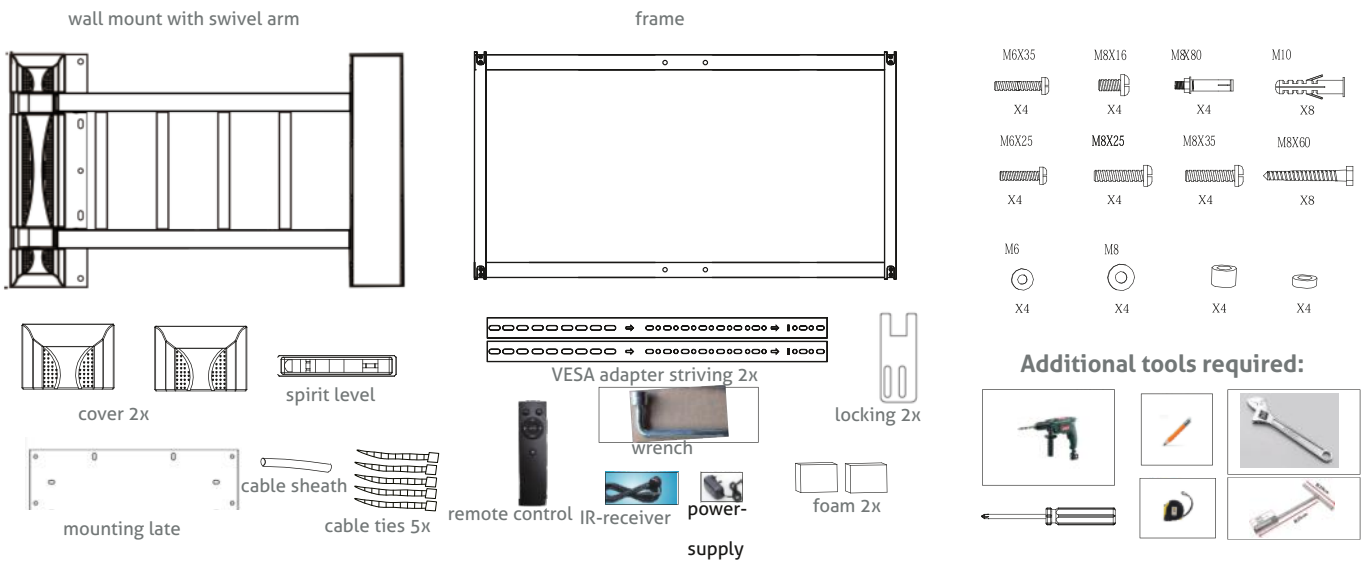


table of content

1. scope of delivery.....	3
2. assembly instructions.....	3
3. safety instructions.....	3
4. mounting.....	4
5. programming of positions.....	8
6. key assignment.....	9
7. tips for troubleshooting.....	10

1. Scope of delivery



2. Assembly instructions

1. Before assembly, compare all received components with the scope of delivery. If any parts are damaged or missing, please contact us by email or telephone.
2. Choose a location with enough space to allow the bracket to fully extend and retract.
3. The mySwing bracket can be mounted either on the left or right side. Depending on the selected orientation, the bracket can be swiveled either 90° left / 70° right or 90° right / 70° left (see the drawing below).
4. Use only suitable tools.
5. Make sure the wall is stable and strong, as it will have to support the combined weight of the mount and the TV.
6. Only use the screws provided and do not tighten them too tightly.

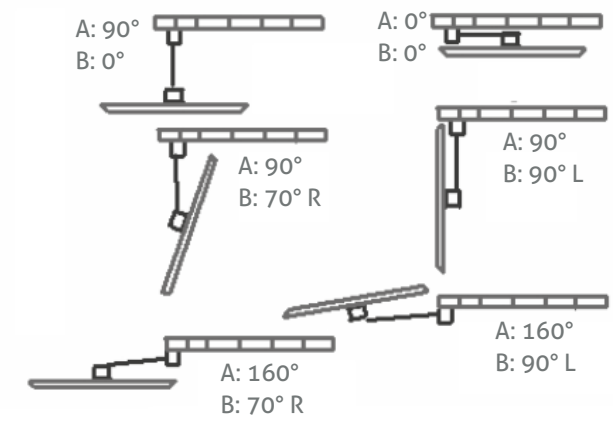
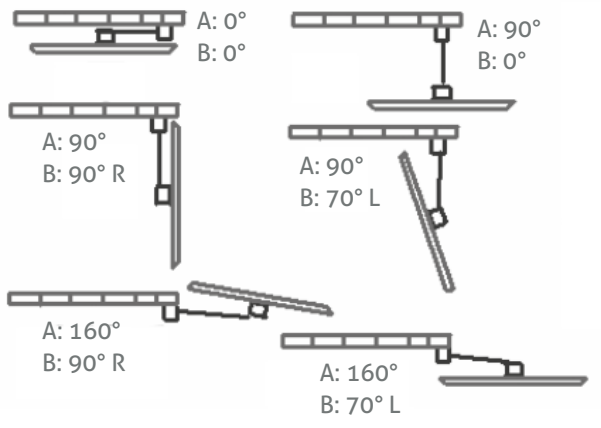
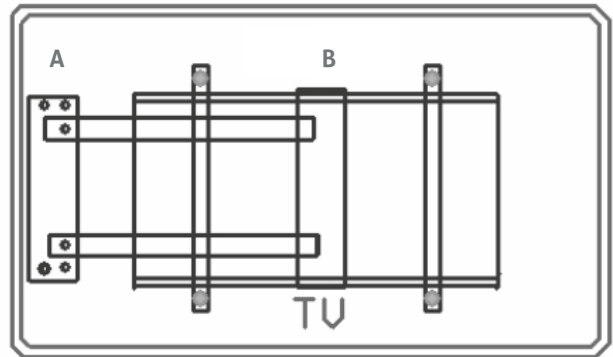
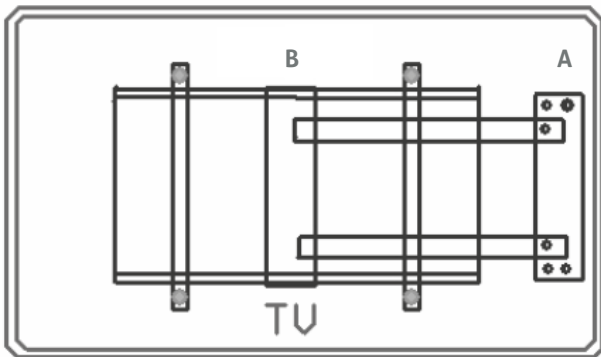
3. Safety instructions

1. Only use the mySwing mount indoors. Using it outdoors may cause damage or injury.
2. Do not operate or install the mySwing TV wall mount in a damp or wet environment.
3. Never operate the mySwing mount with a damaged power cable or plug. If any parts are damaged, please contact us by email or telephone.

4. Mounting

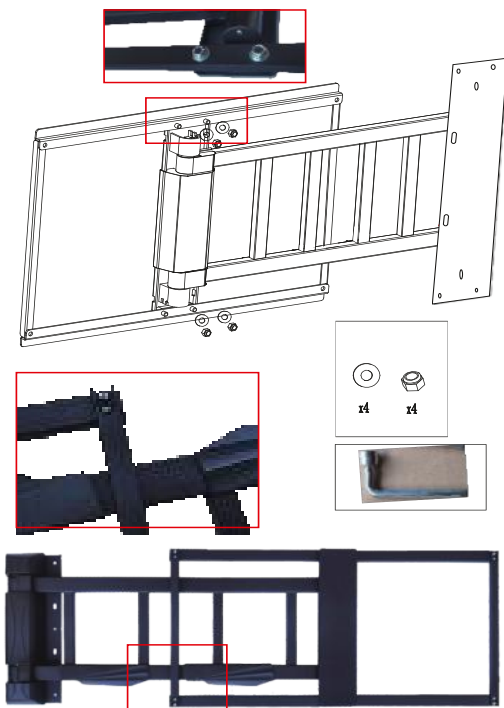
Left-sided mounting

right-sided mounting



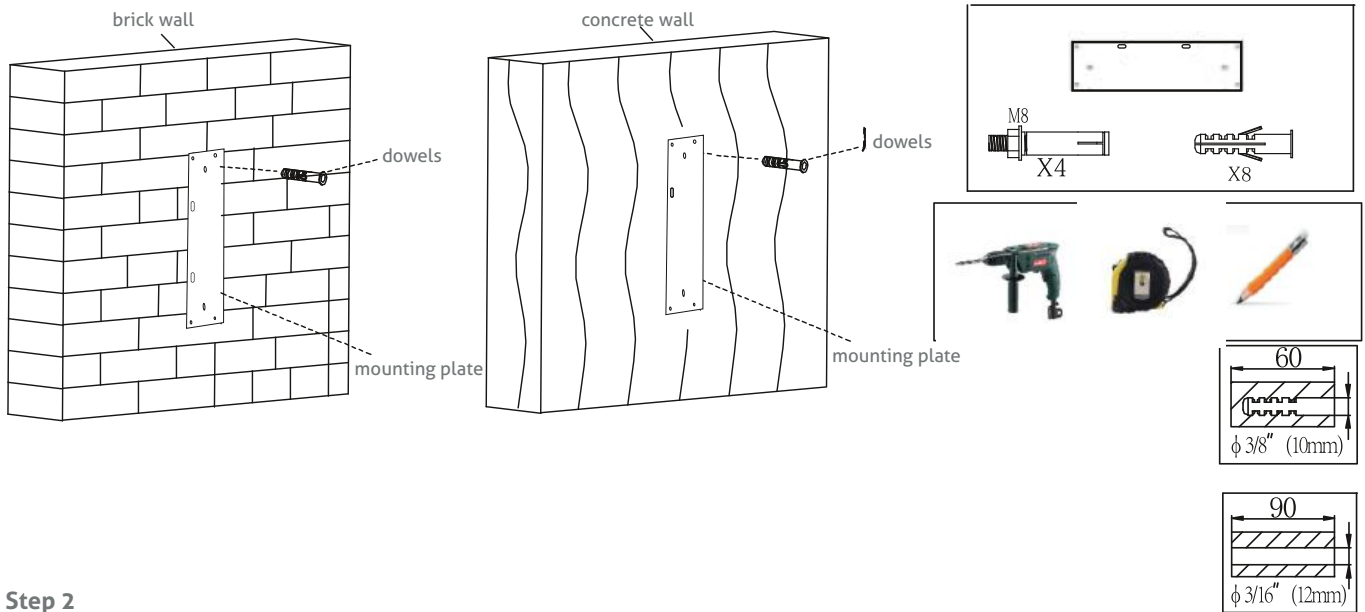
joint A: max. 160°
joint B: max. 70° L / 90° R

joint A: max. 160°
joint B: max. 90° L / 70° R



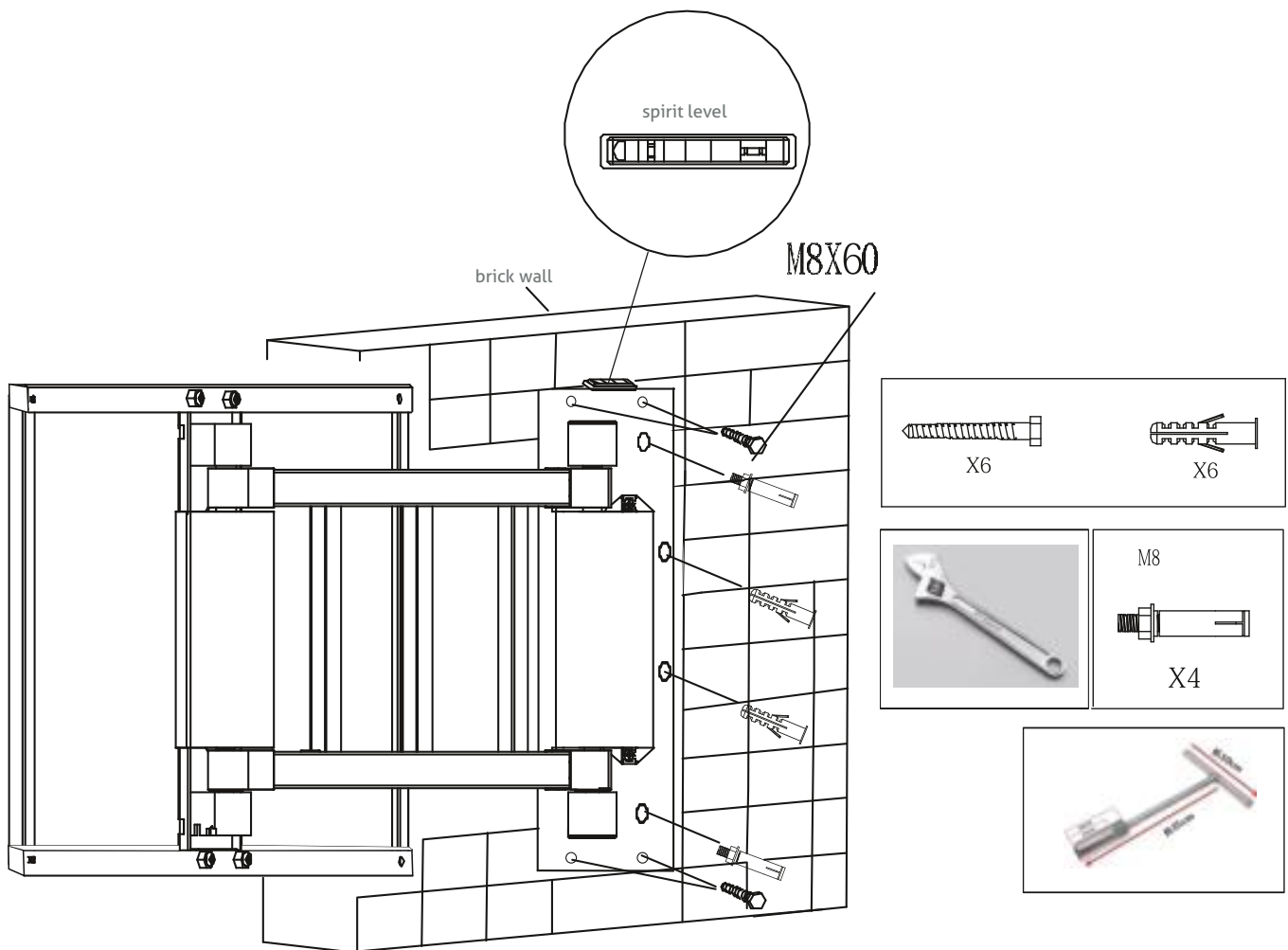
Step 1

Mount the frame to the swivel arm using the included mounting material.



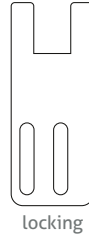
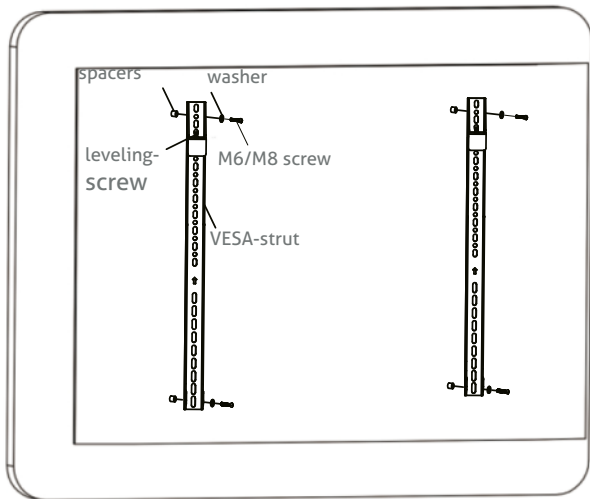
Step 2

Mounting on a concrete or brick wall: Use an M10 drill for the plastic anchors and an M12 drill for the M8 bolts.



Step 3

Attach the mySwing TV mount to the wall using the included mounting material.

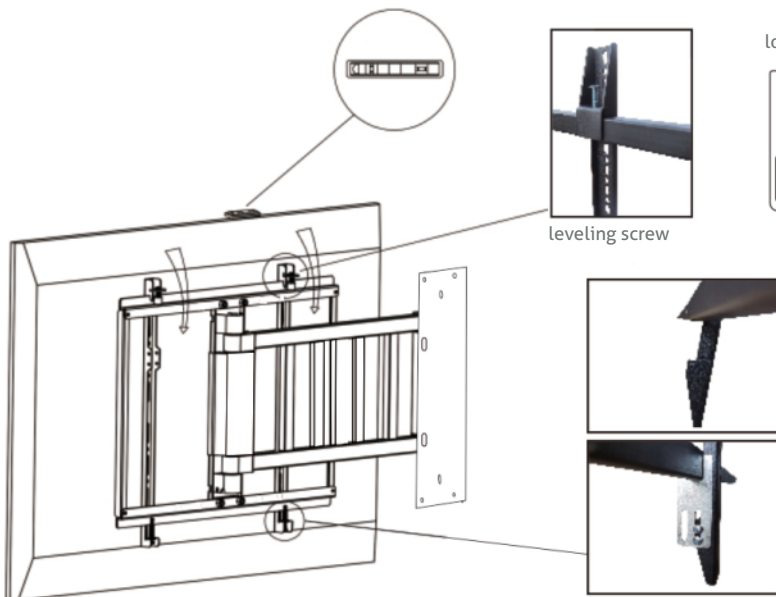
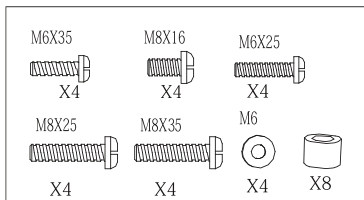


Step 4

Mount the two VESA adapter struts to your TV using the included mounting material. To do this, select the screws and washers that are suitable for your TV model.

To bridge the distance between the VESA screw holes on the TV, the enclosed spacers can be used if necessary.

If the TV is not completely level after installation, this can be compensated using the included washers.



locking

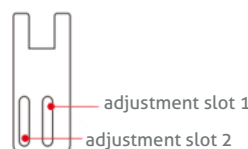


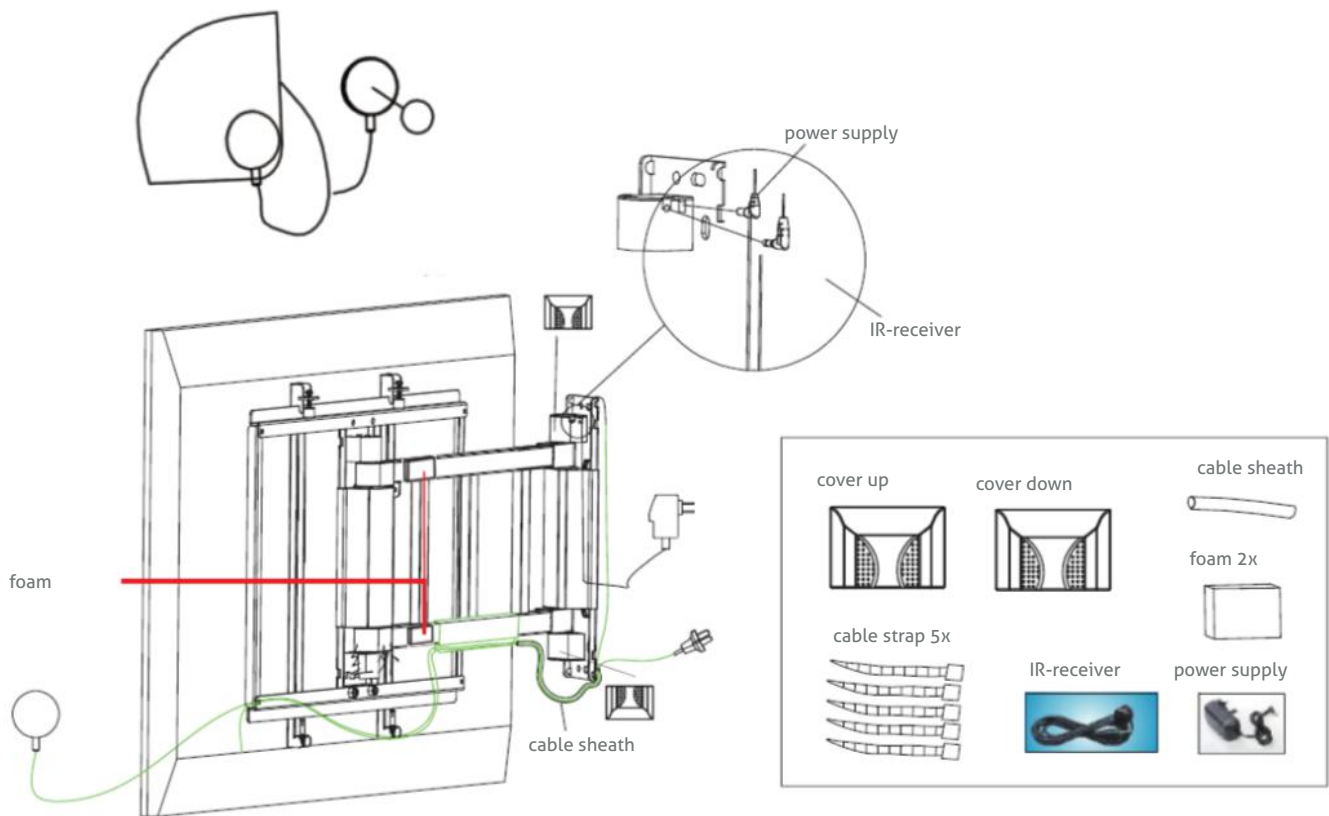
Step 5

Mount the VESA struts to the frame of the mySwing mount. Tighten the screws firmly, but be careful not to overtighten them.

Any unevenness in the positioning of the TV can be adjusted using the leveling screw.

Hook the 2 locks onto the lower end of the VESA struts and fix them using the screws in adjustment slot 1. If the TV tilts, this can be corrected using adjustment slot 2.





Step 6

Using the double-sided tape, attach the infrared receiver directly to the bottom right of the front of the TV or to the wall near the TV. Make sure the infrared receiver is not blocked by the TV or other objects.

Note: The signal strength of the remote control depends on the position of the infrared receiver. Place it in an accessible place where it can easily receive the signal.

Attach the foam pad to the back of the TV for protection and stabilization. Route the infrared receiver cable and the power cable as shown in the drawing and secure both cables using the cable ties and sleeves provided. Place the covers on the top and bottom of the bracket..

Note: When attaching the cable ties, leave enough space so that the swivel arm can move to the left and right at the maximum angle. The cable length should not affect the freedom of movement of the TV wall mount.

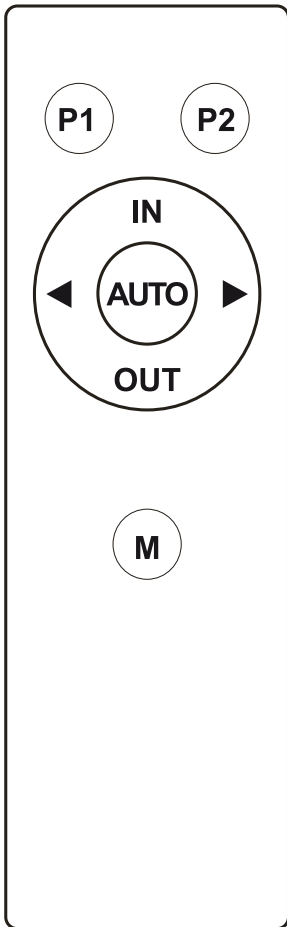
5. Programming of positions

Note: To operate the remote control, 2 micro batteries AAA 1.5 V are required, which must be purchased separately.

1. When using the mySwing TV wall mount, first set your preferred positions. Different selected angles can be saved on the "IN", "OUT", "P1" and "P2" buttons on the remote control and automatically called up at the touch of a button. Please note that the complete call-up of an automatic movement process consists of several individual steps, between which there may be a waiting time of several seconds..
2. Extend the holder completely by pressing the "OUT" button (the default value is 90°). If you want to assign a new position to the "OUT" button, first set it manually. To do this, move the two joints of the holder to the left or right as desired until the desired position is reached. Now press the two buttons "M" + "OUT" at the same time to save the currently selected position on the "OUT" button. You will hear a double beep to confirm. The default value is now overwritten with the currently selected position..
3. Other preferred positions can be saved on the "P1" and "P2" buttons. To do this, manually set the desired position as described above and simultaneously press the two buttons "M" + "P1" or "M" + "P2" to save the currently selected position on the "P1" or "P2" button. You will hear a double beep to confirm. The default value is now overwritten with the currently selected position..
4. By pressing the "IN" button, the holder returns to its starting position (the default value is 0°). If you want to assign a new angle to the "IN" button, you can also set this manually. Then press the two buttons "M" + "IN" at the same time to save the currently selected position on the "IN" button. You will hear a double beep to confirm. The default value is now overwritten with the currently selected position..

Note: The mySwing mount does not have a global reset function. If you want to change a saved position, overwrite it separately with a new position as described in the above sections..

6. Key assignment



P1

The mount moves to the position saved on "P1". By pressing the "M" + "P1" buttons at the same time, you can set a new position for "P1" (default value: 30°). You will hear a double beep to confirm.

P2

The mount moves to the position saved on "P2". By pressing the "M" + "P2" buttons at the same time, you can set a new position for "P2" (default value: 60°). You will hear a double beep to confirm.

IN

The bracket moves to the position saved as "IN" (default value: 0°). By pressing the "M" + "IN" buttons at the same time, you can set a new position for "IN". A double beep will sound to confirm.



Press and hold the left/right arrow button to swing the front joint of the mount left/right. Releasing the button stops the movement. The maximum swing range is limited in both directions by the distance of the swing arm from the wall to avoid collisions.

AUTO

The mount automatically returns to the last previously selected position. This angle is automatically saved and continuously updated.

OUT

The bracket moves to the position saved as "OUT" (default value: 90°). By pressing the "M" + "OUT" buttons at the same time, you can set a new position for "OUT". A double beep will sound to confirm.

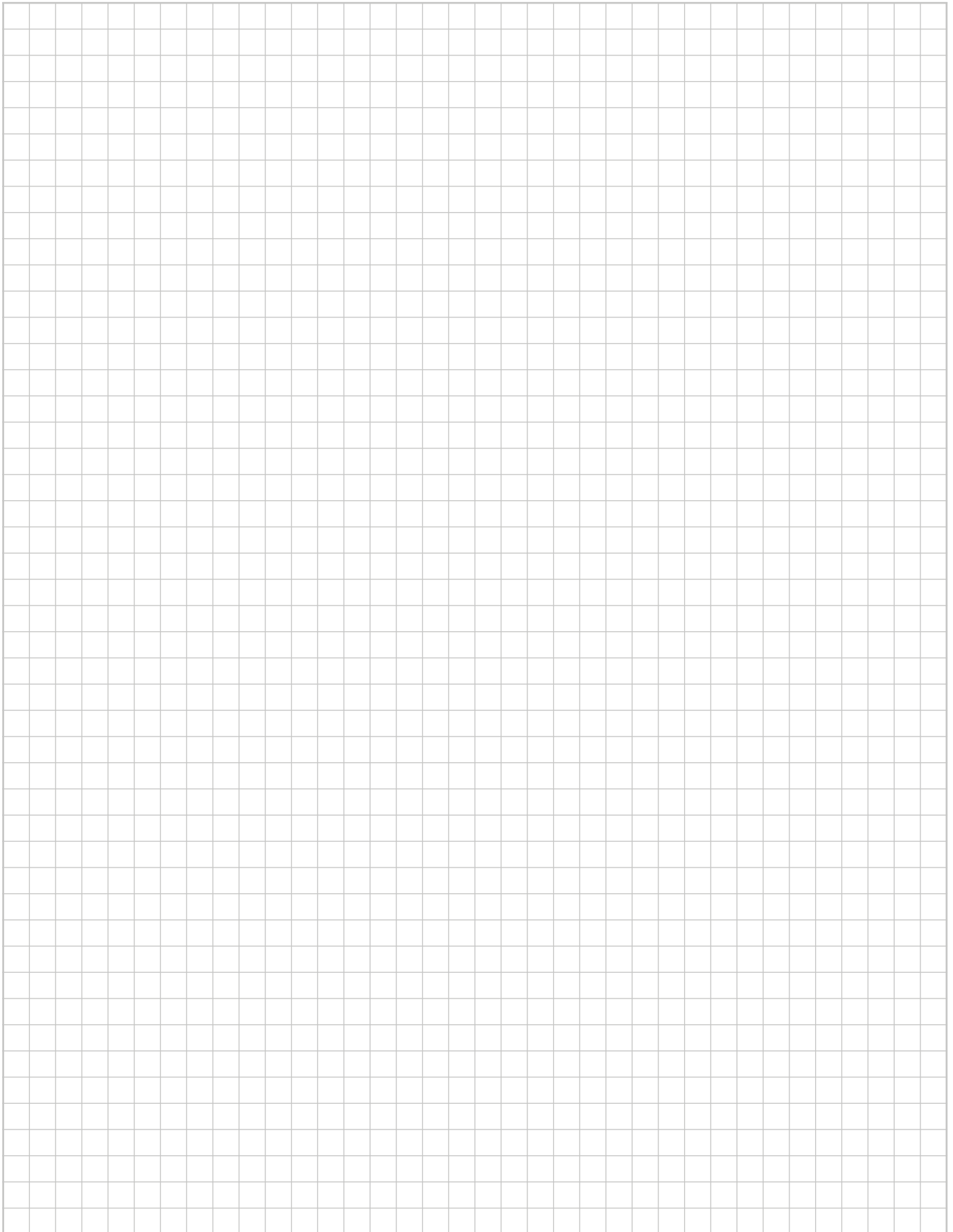
M

Used in combination with the "IN", "OUT", "P1" or "P2" buttons to store positions on these buttons.

7. Troubleshooting tips

Error	Possible causes	Examination
The bracket does not move.	Empty battery / Defective remote control	If the indicator light on the remote control lights up but no beep is heard, replace the battery in the remote control. If the problem persists, please contact us by email or phone.
	No network connection	Check that the power cable is correctly connected to the bracket and the power plug is correctly connected to the socket.
	No infrared connection	Check the position of the infrared receiver and place it in a more accessible location if necessary.
	Incorrect operation	If you only hear a double beep after pressing a position button, the holder is already in the position stored on that button.
After automatically returning to the starting position (0°), the holder performs a slight jerking movement.	Overdrive	First, use the arrow keys to move the holder to a position slightly forward of the previous starting position. Now press the two buttons "M" + "IN" at the same time. The current position is now saved as the new starting position on the "IN" button (see also section 5.4).

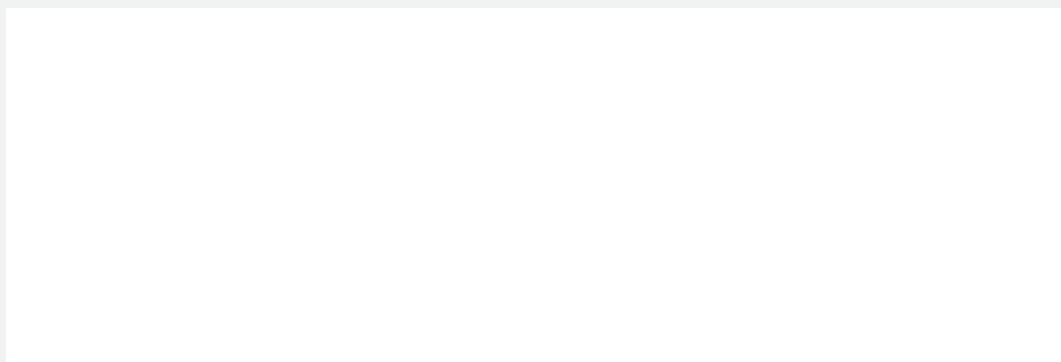
Notes



MonLines mySwing MSM10 electric TV wall mount

Contact us

Your MonLines-dealer/specialist partner



subject to change



MonLines
Am Marienhof 8
22880 Wedel
Germany

E-Mail: info@monlines.de
Web: www.monlines.com
Tel.: +49 (0) 4103 / 90387 - 0
Fax: +49 (0) 4103 / 90387 - 11

 **MonLines**
dividual