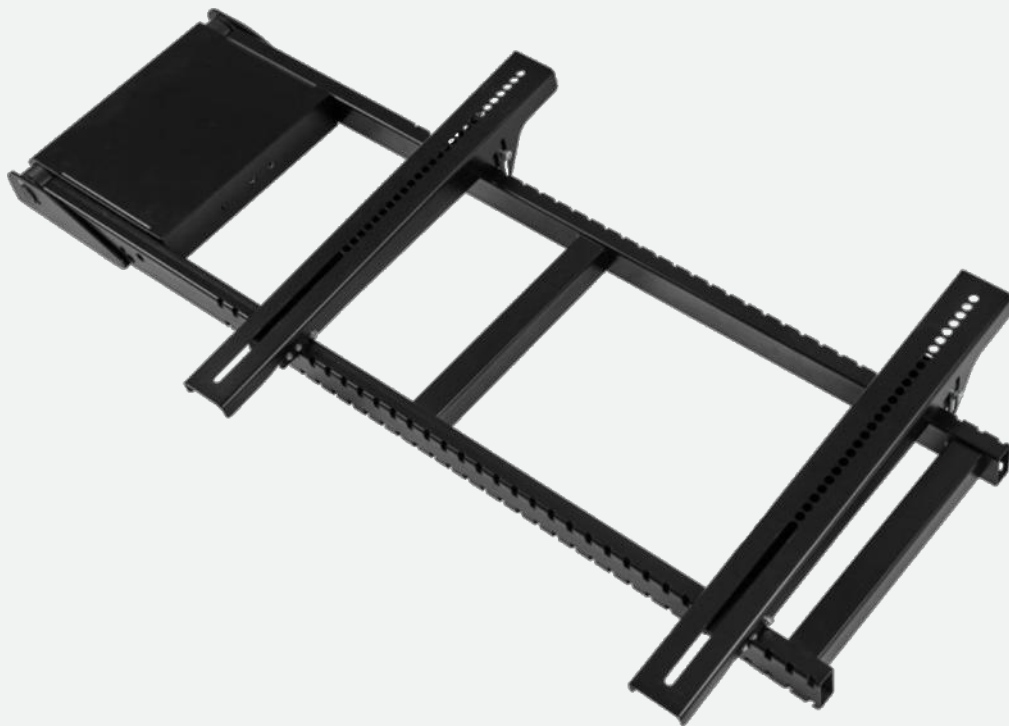


MonLines mySwing MSM06 / MSM08 electric TV wall mount

Mounting instructions



Be sure to read the assembly instructions before assembly - installation - commissioning!
This will protect you and prevent damage to your product.

Congratulations!

With the MonLines mySwing TV wall mount you have chosen a high quality product that offers you great benefits in the areas of comfort and design at a high technical level.

The usability and service life of the MonLines mySwing mount depend on proper and professional installation as well as operation, maintenance and observance of the instructions contained in this installation manual. Any electrical connections that may be required should only be made by appropriate professionals.

The mySwing MSM06 / MSM08 mount is electrically operated. To avoid hazards and prevent wear of the installed electronics, please read the instructions carefully.

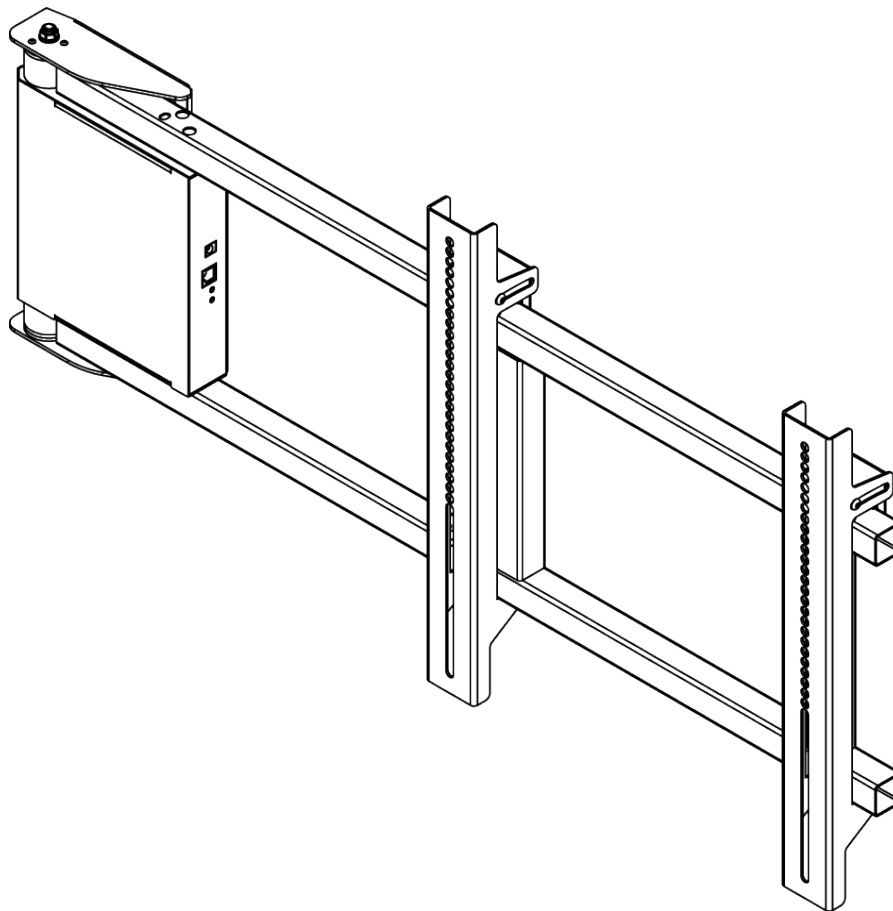
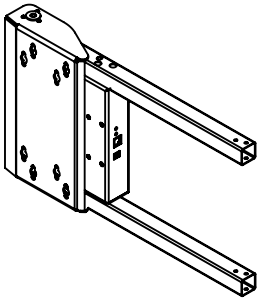


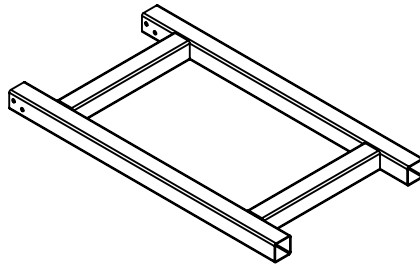
Table of contents

1. Scope of delivery.....	3
2. Preparations before mounting.....	4
3. Safety instructions.....	4
4. Mounting.....	5
5. Programming the remote control.....	8
6. Optional accessories.....	10

1. Scope of delivery



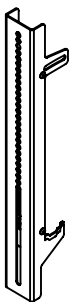
mySwing mount (1x)



TV arm (1x)



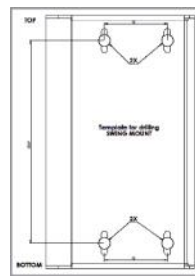
Arm connector (4x)



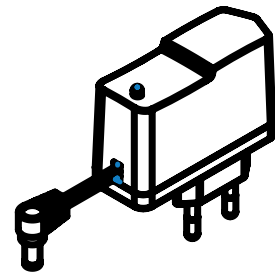
VESA braces (2x)



Infrared receiver (1x)



Drilling template (1x)



Power supply (1x)



1x Allen key (size 3)
1x Allen key (size 5)



Spacers 15 mm (4x)



Screws M5x10 (16x),
Screws M5x25 (4x),
Screws M8x25 (4x)



Screws M4x25 (4x),
Screws M6x25 (4x)



Spacers 10 mm (4x)

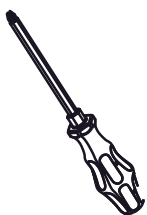


Washers size 6 (4x)

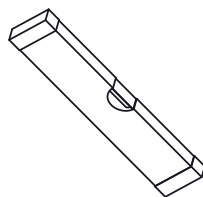


Mounting screws (4x)

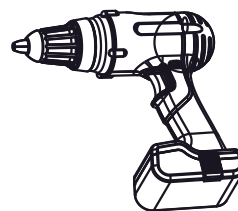
Additional tools needed:



Screwdriver



Spirit level



Drill



Drill bit

2. Preparations before mounting

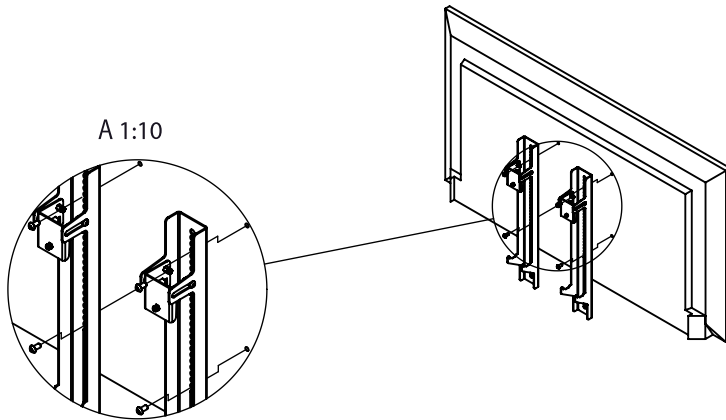
1. Before assembly, check all components received against the scope of delivery. If any parts are damaged or missing, please contact us by e-mail or phone.
2. Select an installation location with sufficient space to allow the bracket to be fully extended and retracted.
3. Use only suitable tools.
4. When mounting on a wooden stud wall, make sure to center the screws in the beam. The use of a beam finder is strongly recommended.
5. Make sure the wall is stable and load-bearing, as it must support the combined weight of the mount and TV.
6. Do not overtighten the screws to avoid damage to the product.

3. Safety instructions

1. Use the MonLines mySwing TV wall mount indoors only. Outdoor use may result in damage or injury.
2. Do not operate or mount the mySwing mount in a damp or wet environment.
3. Never operate the mySwing mount with a damaged power cord or plug. In case of damaged parts, please contact us by e-mail or phone.



4. Mounting



Step 1

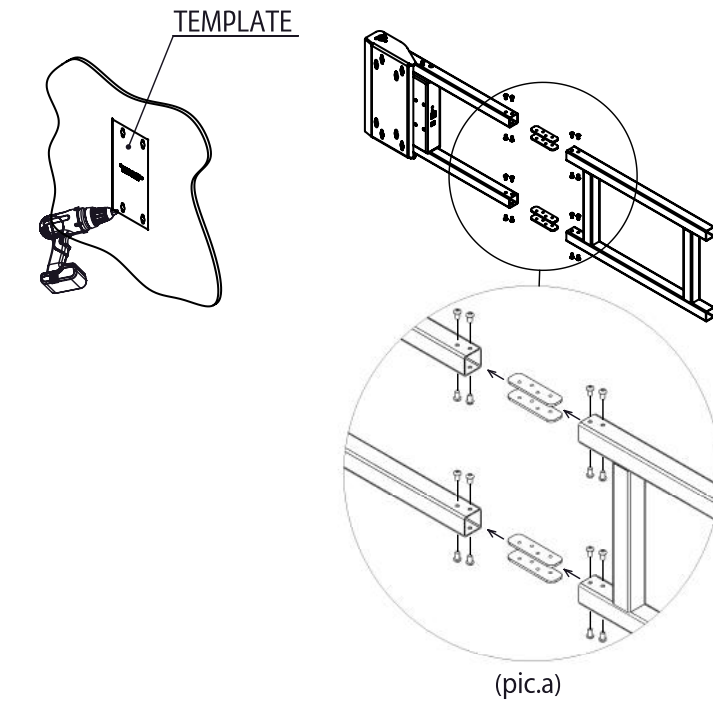
Mount the VESA braces on the TV, either with the screws supplied by the manufacturer of your TV or with one of the enclosed screw sets (M4x25, M5x25, M6x25, M8x25). If necessary, use the supplied spacers (10 / 15 mm) for mounting.

Step 2

2.1: Attach the template to the wall, drill holes and fasten the screws.

Attention: Make sure to level the bracket before mounting.

2.2: Attach the TV arm to the mySwing bracket using the M5x10 screws.



3.1

3.2

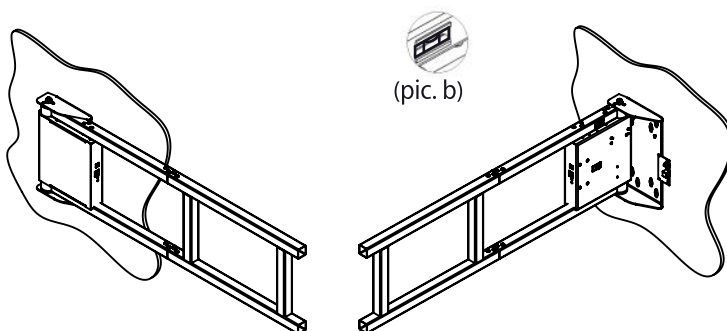
Step 3

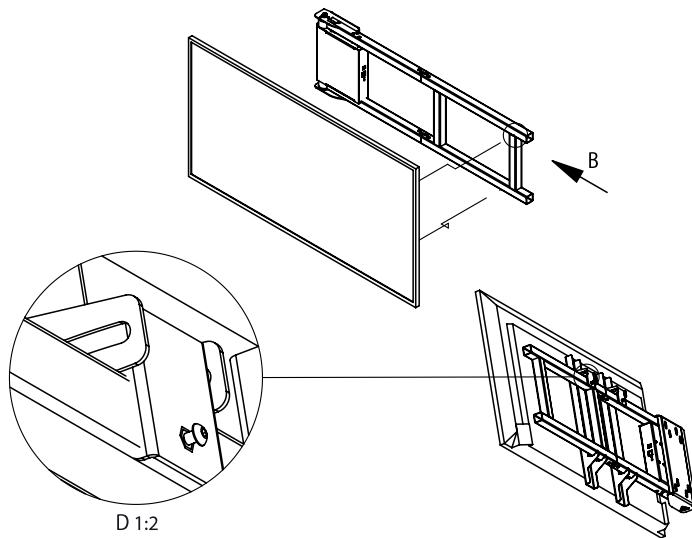
3.1: Place the mySwing bracket on the screws and slide the bracket down.

Attention: The wall mount is symmetrical and can be mounted either left- or right-handed, depending on the desired opening direction.

3.2: Open the swivel arm and tighten the screws. The arm can be moved manually without danger.

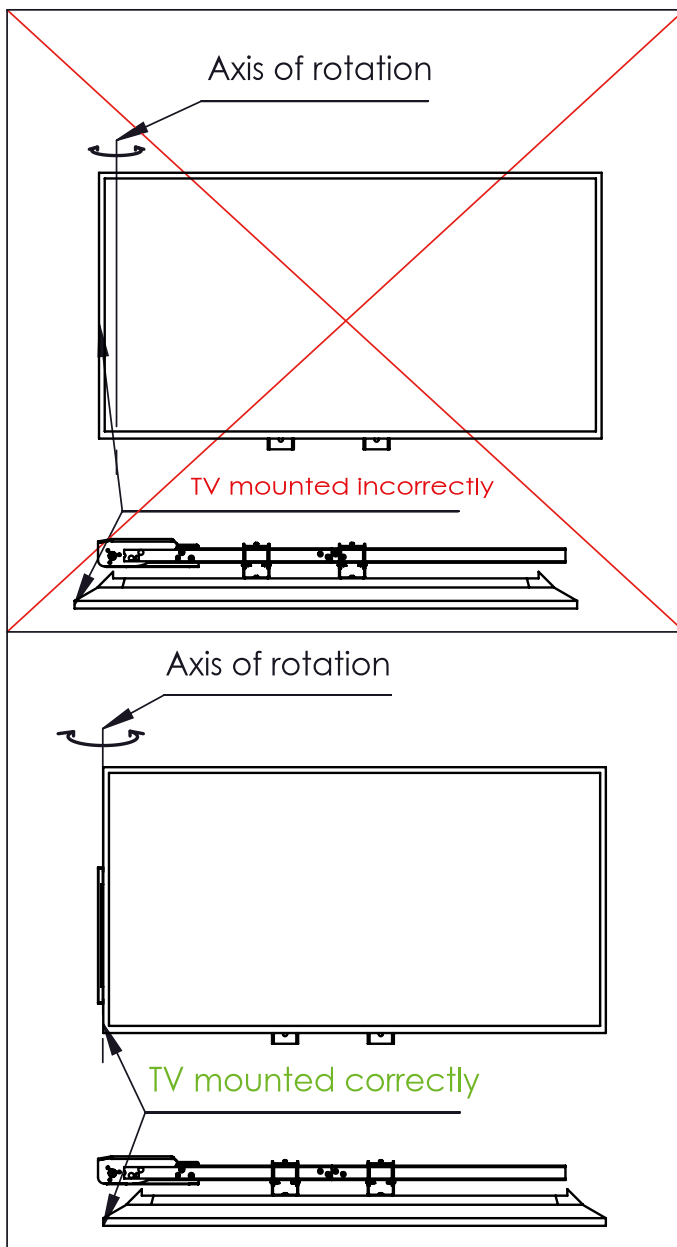
Attention: Use the spirit level to check whether the holder is leveled.



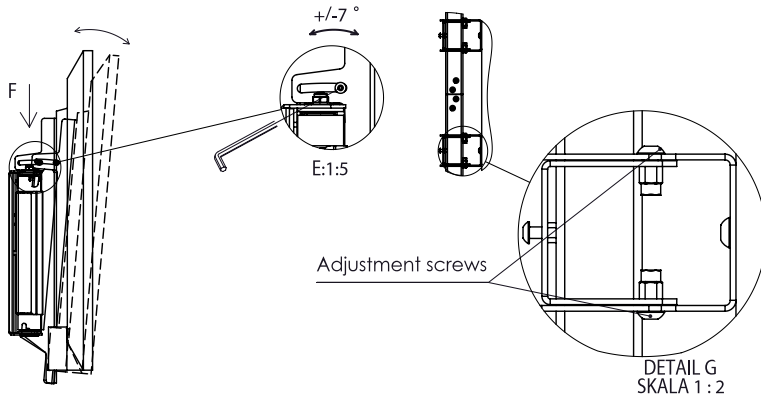


Step 5

After mounting the mySwing bracket on the wall, hang the TV using the VESA braces previously attached to it (see step 1) and tighten the screws.

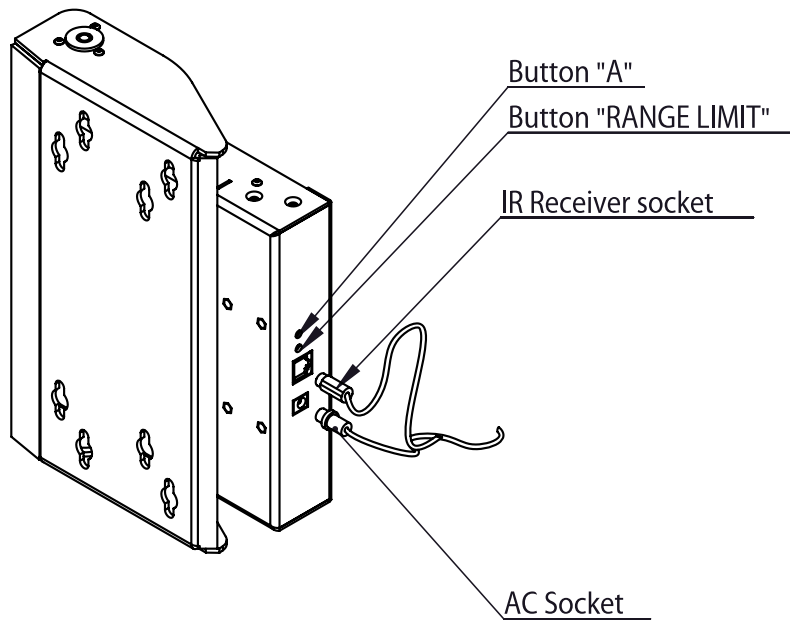


Attention: Make sure that the TV does not protrude beyond the rotation axis of the mySwing mount.



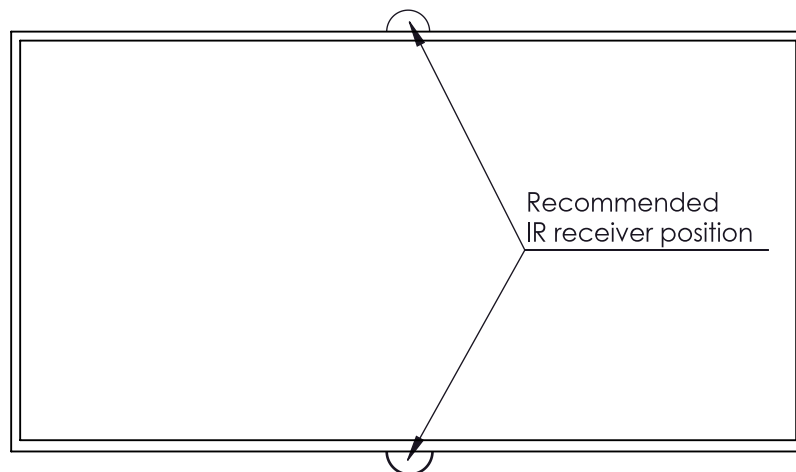
Step 6

Adjust the tilt angle so that you can see the screen clearly. To do this, loosen the adjustment screws (see detail E), adjust the screen accordingly and then tighten the screws again.



Step 7

Connect the power adapter and the IR receiver to the corresponding sockets on the control unit and connect the adapter to a power source.

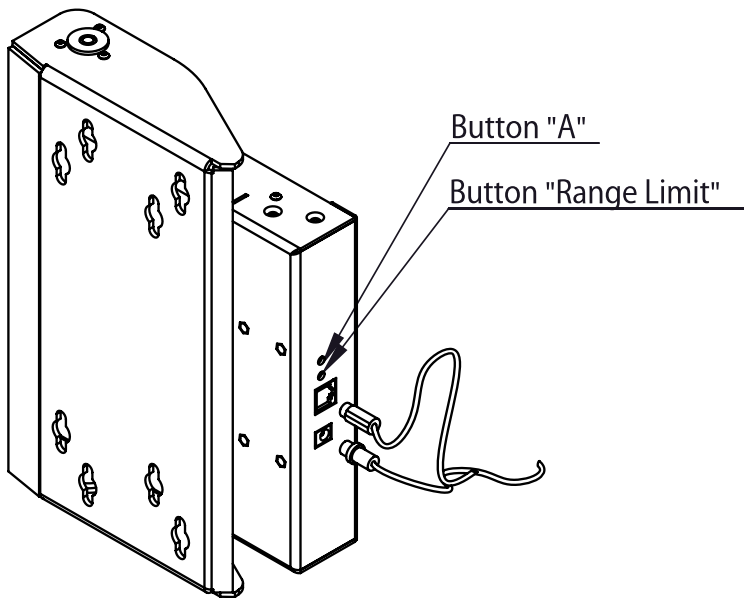


Step 8

Place the IR receiver so that it is visible to the remote control.

5. Programming the remote control

The IR (infrared) receiver of the mySwing TV wall mount is compatible with most common infrared remote controls, so that the mount can be controlled directly via your existing TV remote control. A separate remote control is therefore not necessary.



Step 1

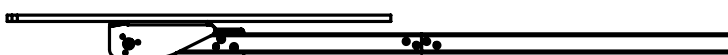
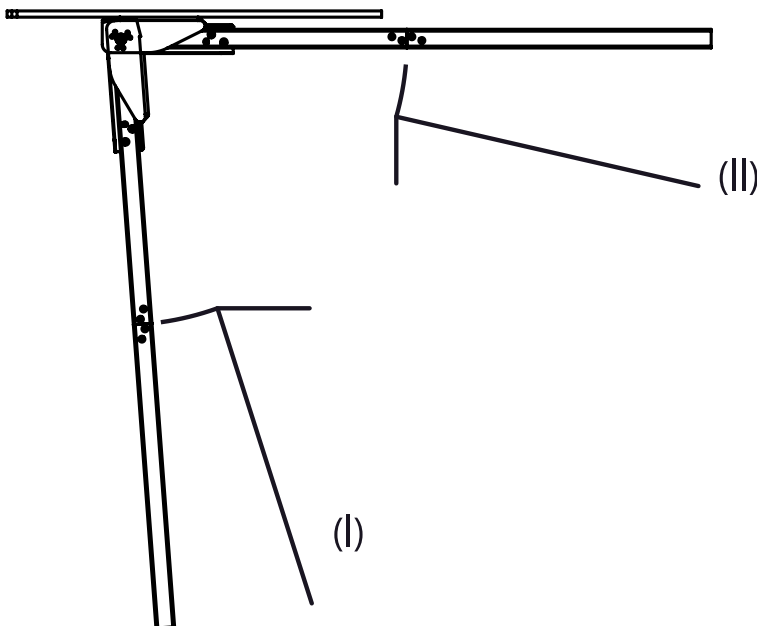
To start the programming process, first press and hold the "A" key on the control unit until you hear a continuous beep. Now you can assign control functions to any keys on your TV remote control by pressing the keys in the sequence shown below. Double assignments are possible without any problems, i.e. a key on your TV remote control can - if desired - also be assigned a function on the TV mount. Both devices are controlled in parallel. For example, you can switch on the TV and move the mount to a certain position at the same time by pressing a single button.

Step 2

The buttons on the remote control can be assigned different functions to control the mySwing TV wall mount.

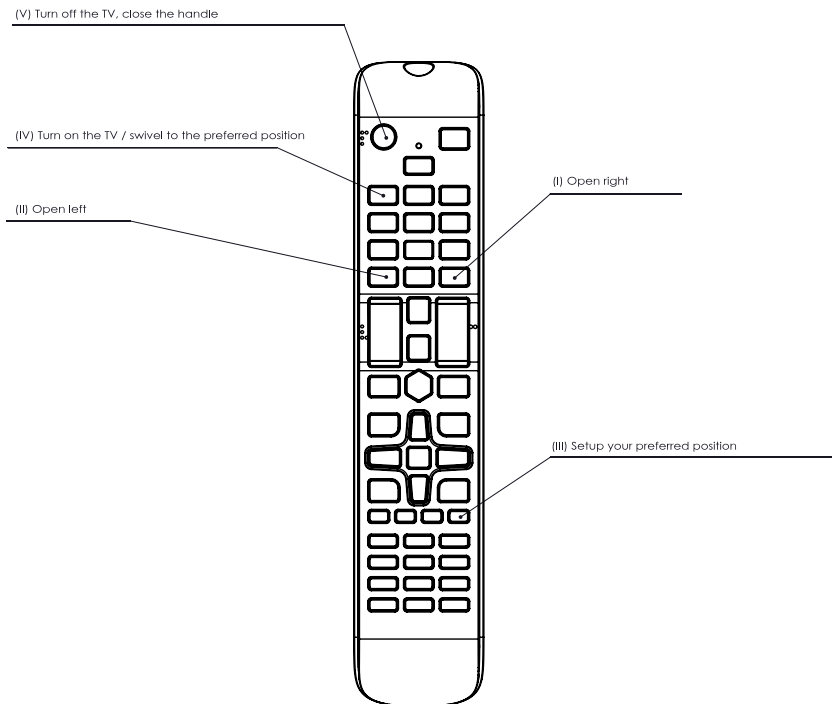
- I - Open to the right
- II - Open to the left
- III - Setup preferred position
- IV - Move to preferred position
- V - Close completely (home position)

Each key assignment is confirmed with a short beep. You can exit the programming mode at any time by pressing the "A" key on the control unit.



(V) Complete closing

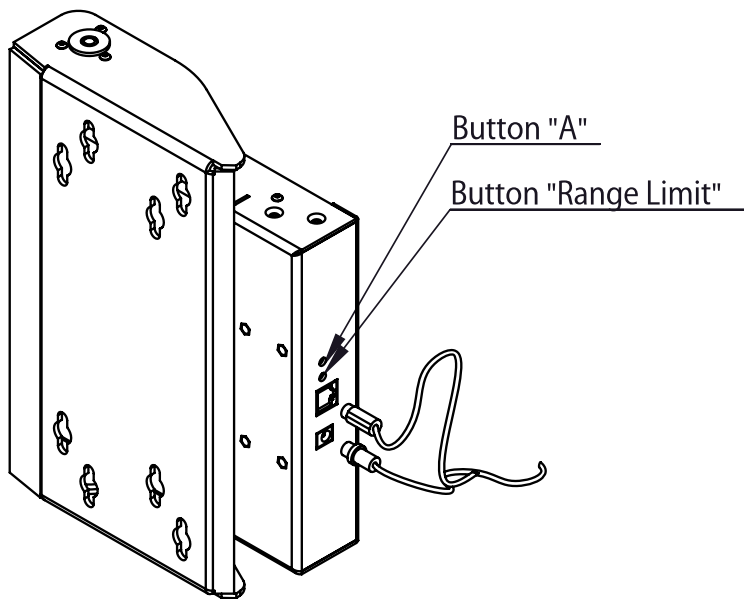




Step 3

After completing the key assignment, you can set your preferred position with keys (I) and (II) and confirm it with key (III). A short beep will be heard. From now on, the holder can be moved directly into the programmed position by pressing key (IV).

Attention: The key assignment illustrated here is only an example. The selection of the function keys on your TV remote control can be made freely according to your ideas.



Step 4 (optional)

The opening angle of the mySwing mount can be permanently limited. Once a limit value has been set, it can no longer be exceeded by the mount (in contrast to the preferred position).

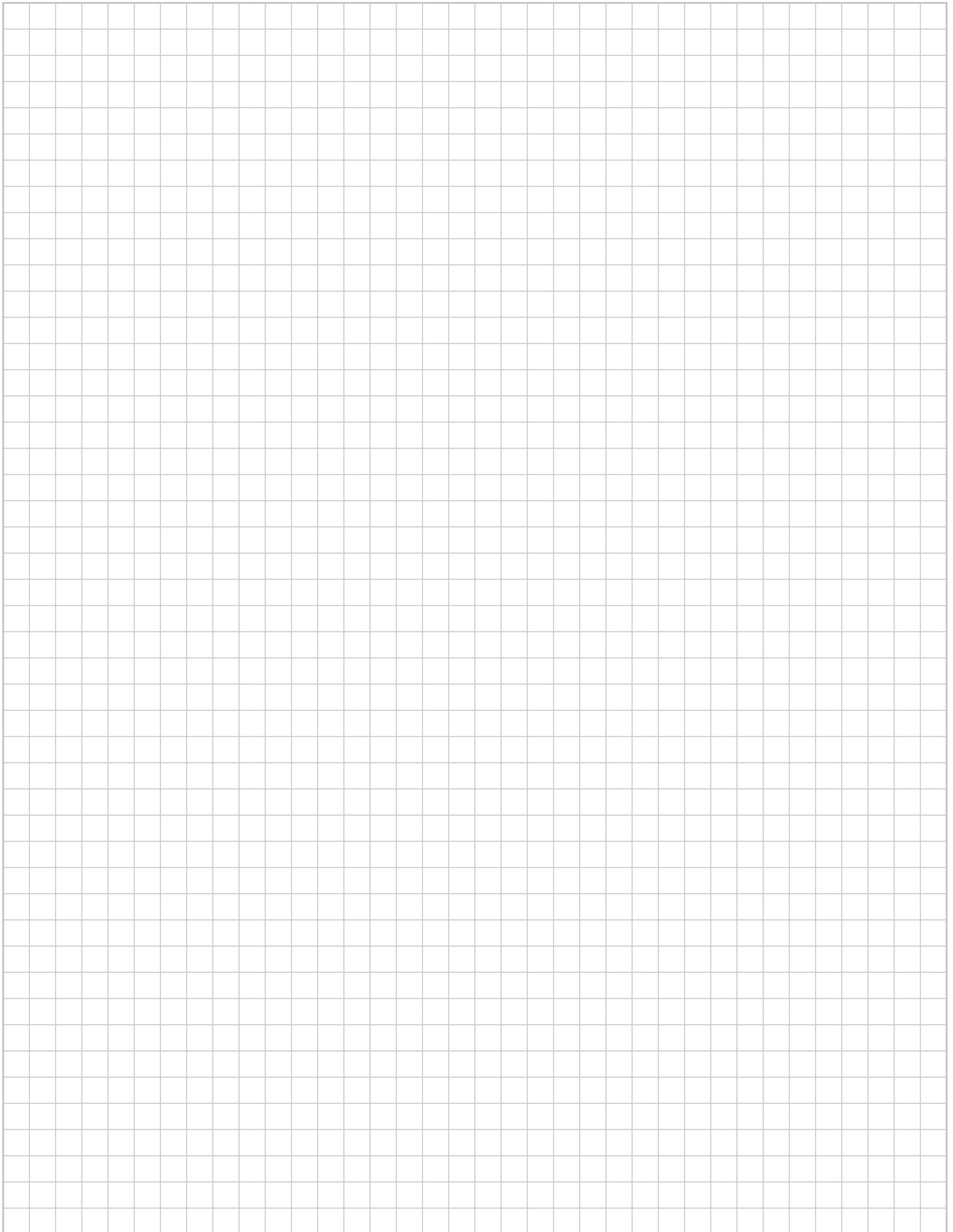
4.1: Move the holder to the maximum angle to be reached (note that a deviation of +/- 1° may occur).

4.2: Press and hold the "A" key until you hear a continuous beep. The holder is now in setup mode.

4.3: Press the "Range Limit" button. After confirmation by 2 short beeps, the holder automatically exits the setting mode. The new maximum opening angle is now set.

To set the range back to the default value of 180°, press and hold the "Range Limit" button for approx. 3 seconds. There will be 4 short beeps to confirm that the range is now set to the factory maximum.

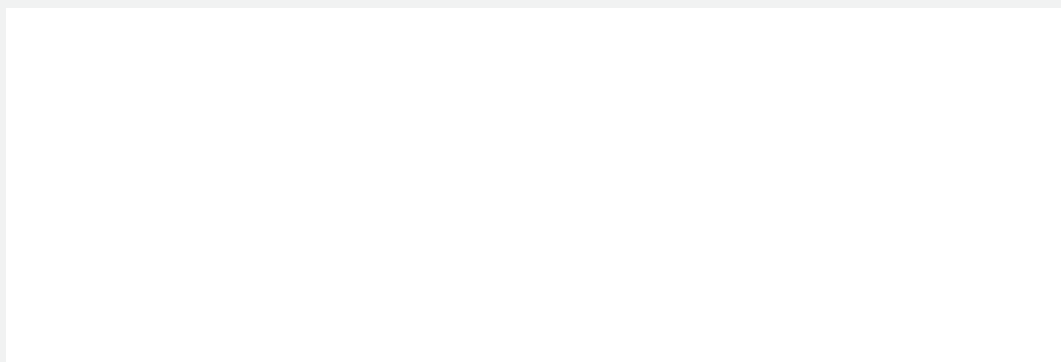
Notes



MonLines mySwing MSM06 / MSM08 electric TV wall mount

Contact us

Your MonLines dealer / specialist partner



Subject to changes



MonLines
Am Marienhof 8
22880 Wedel
Germany

E-Mail: info@monlines.com
Web: www.monlines.com
Tel.: +49 (0) 4103 / 90387 - 0
Fax: +49 (0) 4103 / 90387 - 11

 **MonLines**
dividual