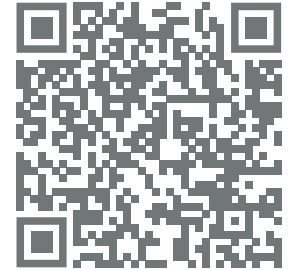


MonLines MWH001B

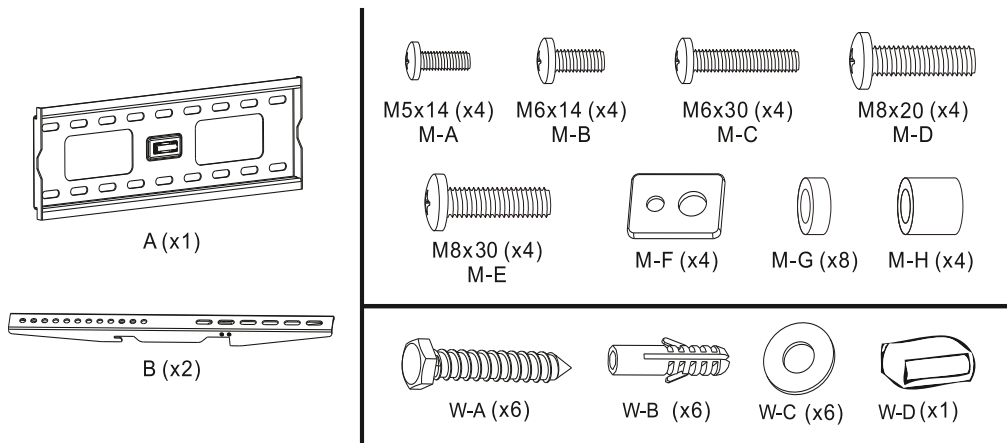
Flat TV wall mount up to 55 inch

Assembly instructions



1. Scope of delivery

Make sure that you have received all the parts included in the delivery before you start the assembly. If any parts are missing or defective, please contact your dealer.

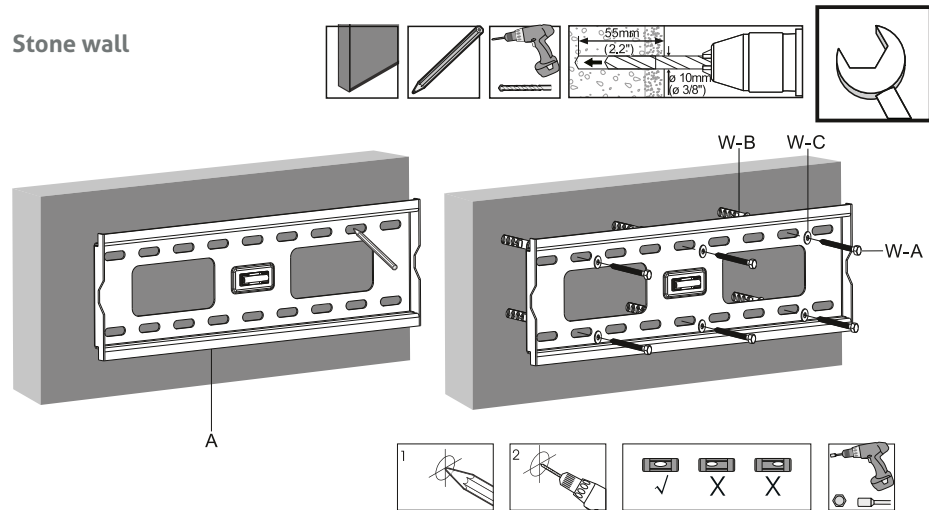
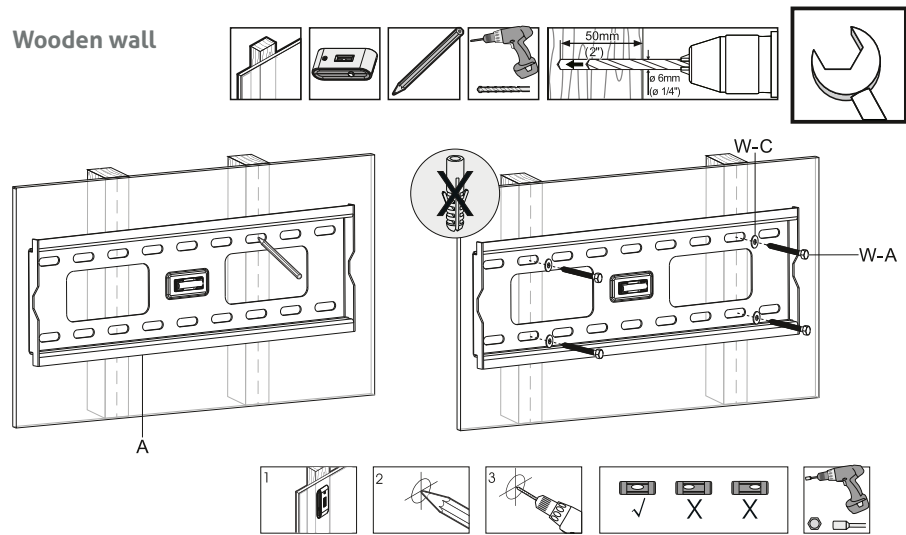


2. Assembly preparation

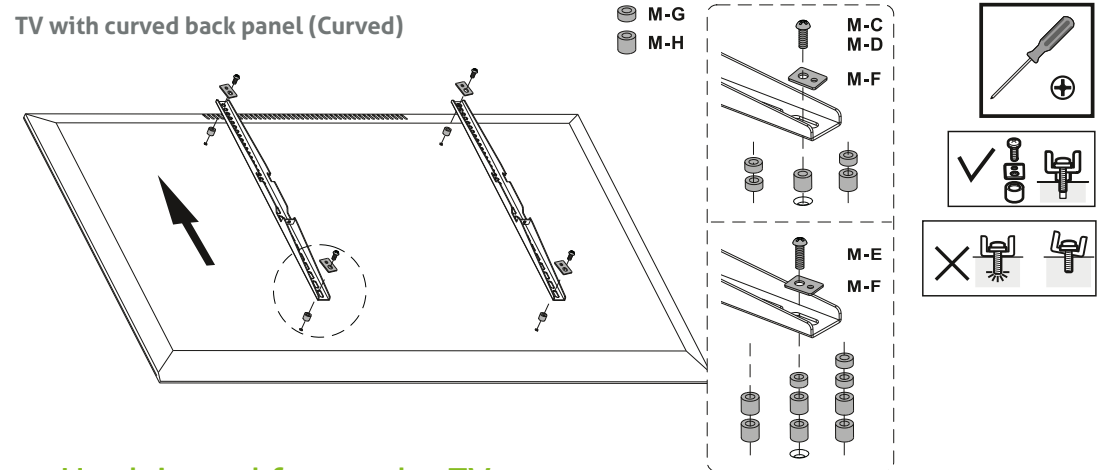
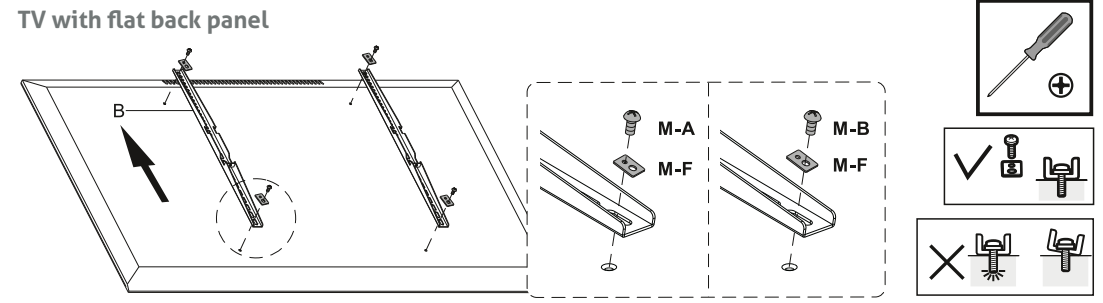
Before the actual installation, please note the following instructions for proper installation:

1. This bracket is designed to be installed and used only as specified in this manual. Improper installation of this product may cause damage or serious injury.
2. This product should only be installed by a person with skilled craftsmanship and basic knowledge and experience in assembling.
3. Ensure that the surface on which the bracket is to be mounted can support the total load of the unit and all components connected to it.
4. If you are mounting the bracket on a wooden stud wall, make sure that the bracket screws are fastened in the centre of the joists. It is recommended to use a beam finder.
5. For safety reasons, only lift and position equipment in pairs or with a mechanical lifting device.
6. Tighten bolts firmly, but do not overtighten them. Overtightening can damage the components and significantly reduce their holding power.
7. This product is intended for indoor use only. Use outdoors may result in product failure and personal injury.

3. Mounting on wooden or stone walls



4. Attach VESA braces to TV



5. Hook in and fasten the TV

