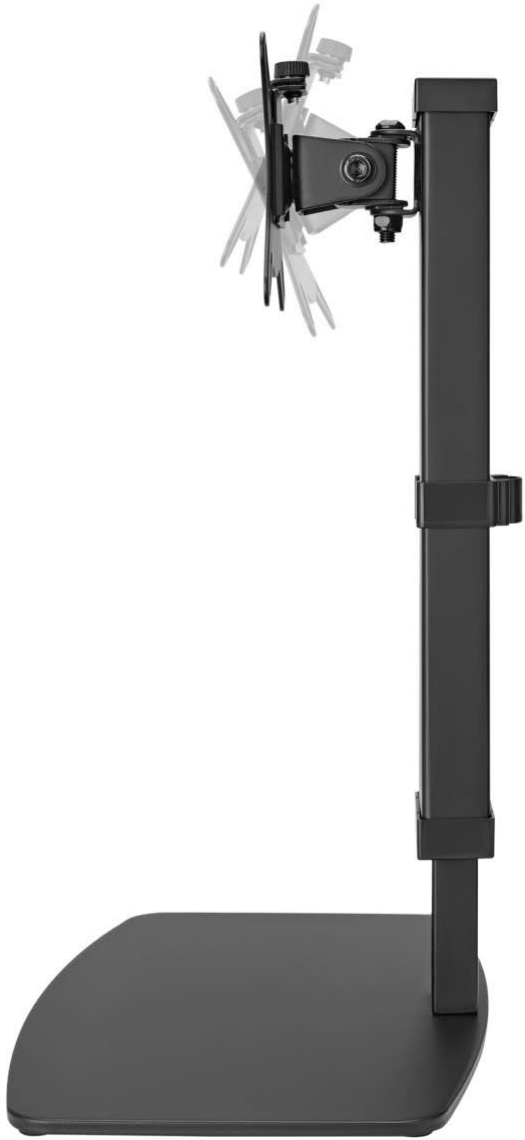


**MTS200B** - Height-adjustable desk stand for flat screens

---









43 - 81 cm



8 kg



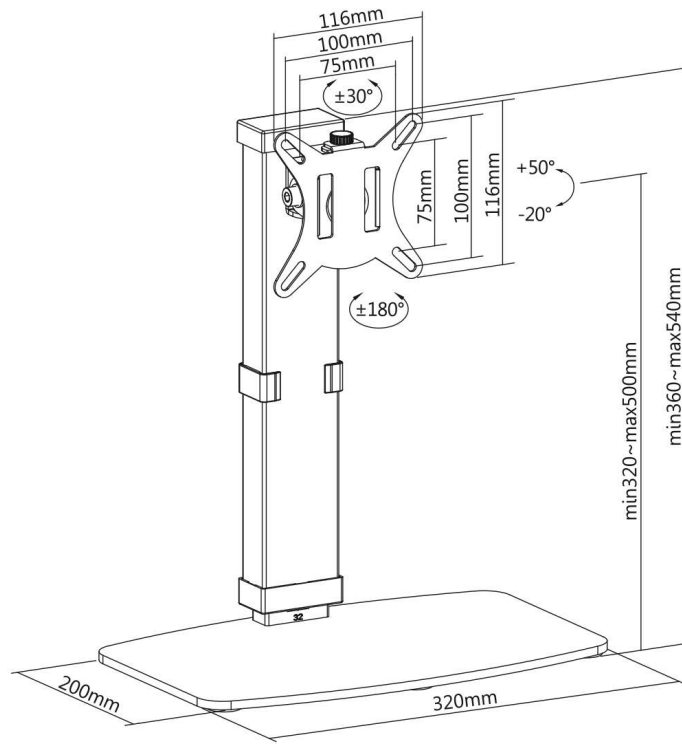
+50° / -20°



60°



360°



**Model No:**

**MTS200B**

**Description:**

for flat screens 17 - 32 (43 - 81 cm), loads up to 8 kg, height adjustable in 10 settings

**EAN:**

4260730621807

## **Product information "Desk Stand for Flat Screens"**

### **THE ALLROUNDER!**

Height adjustable, Tilttable, Rotatable, Horizontally adjustable.

You must have it!

### **Determine The perfect height.**

You do not need any tools for your ergonomically correct monitor height. With the lift mechanism, simply slide the stand up or down in 10 steps. The swivel and tilt functions round off the whole thing and ensure an absolutely perfect viewing angle.

The VESA plate allows the monitor to be attached and removed.

- ◇ Height adjustable in 10 settings
- ◇ 360° rotatable VESA plate: for portrait and landscape format
- ◇ Non-slip silicone pads under the base
- ◇ With cable management

### **Key features:**

- swivel: 60°
- tilt: + 50° / - 20°
- screen horizontal adjustment: 360°
- VESA: 75 / 100
- with cable management
- incl. mounting guide and complete accessories -  
in giftbox