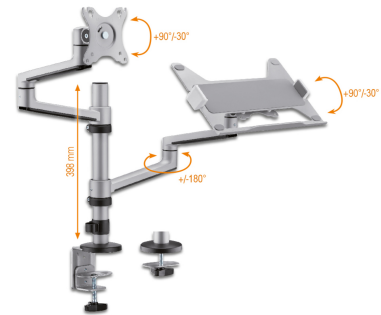


MonLines MTH016S

Monitor holder and laptop holder with table clamp



Description

The MTH016S desk mount for flat screens and laptops consists of a combination of a monitor arm and an additional laptop shelf. The monitor mount with a practical mounting table clamp from MonLines can be tilted and adjusted in height. This 2 in 1 table mount is ideal for e.g. control monitors, offices, home office and is the ideal solution for a workplace extension.

Key features

Fastening:	Screen mount with table clamp
Display size:	17 until 32 inch (43 - 81 cm)
VESA standard:	75x75 and 100x100 mm
Capacity screen:	max. 8 kg
Capacity laptop:	max. 5 kg
Tilt:	+ 90° / - 30°
Sideways rotatable:	180°
Height adjustable:	398 mm
Colour:	silver