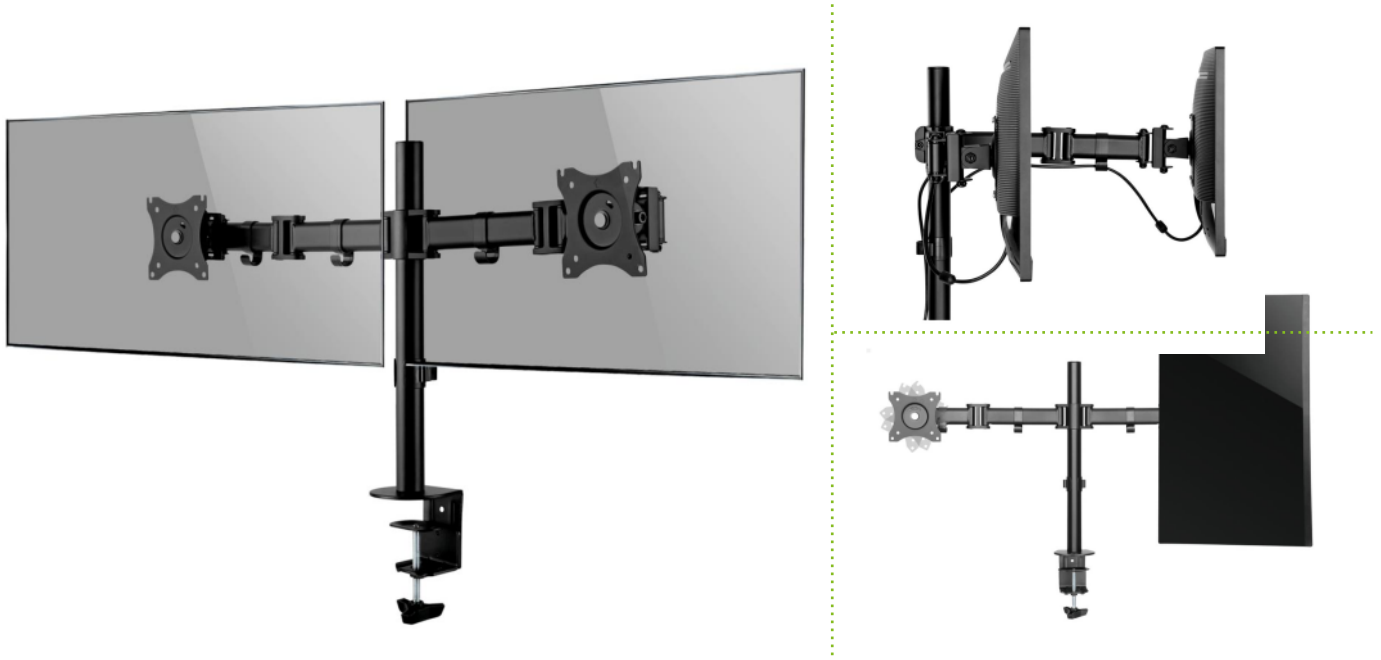


MonLines MTH011

Swivel dual monitor mount 10 - 27 inch



Description

The MonLines MTH011 monitor holder for 2 monitors impresses with its simple appearance and versatile functions. With a desk clamp / grommet mount, two monitors are conveniently and securely attached to the desk. Displays from 10" to 27" can be mounted on this swivelling and tilting dual desk mount in both portrait and landscape format (pivot function).

Thanks to its flexibility, the dual monitor mount allows sufficient adjustment options even after mounting and the displays can be tilted, swivelled, rotated or height-adjusted at any time. The height of the screens can be adjusted manually from 0 to 400 mm with ease. Monitors with a VESA mount of 75x75 and 100x100 mm are compatible with the mount.

Key features

Screen size:	10" - 27"
Mounting:	Desk clamp & grommet
VESA mount:	75x75 and 100x100 mm
Load capacity:	Max. 16 kg (max. 8 kg per monitor arm)
Tiltable:	+/- 30°
Rotatable:	360° (pivot function)
Swivel:	180°
Height adjustable:	0 - 400 mm
Finish:	Black