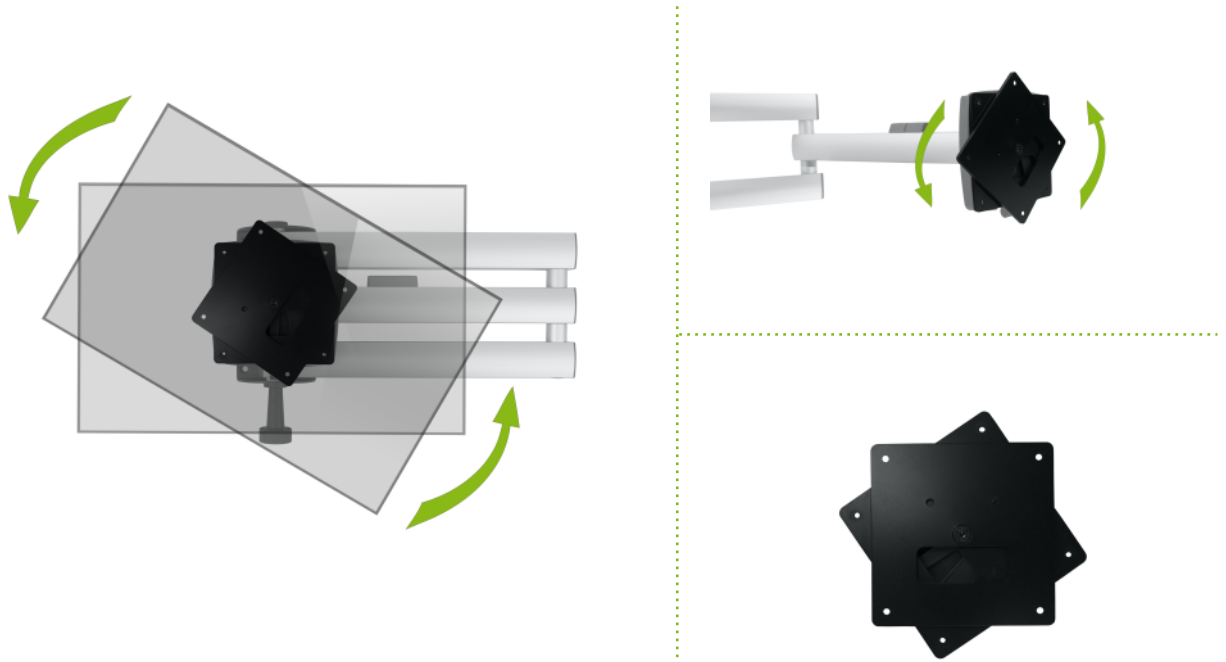


## MonLines MPH010 VESA adapter 200x200 with 90° pivot



### Description

A VESA standard is specified for the use of monitor mounts for televisions / monitors. The VESA mount is attached to the back of the display and often has four holes. Adapters can be attached to this mount to change the VESA distance or to make the monitor rotatable. The 90 degree rotatable MonLines VESA adapter is attached between the monitor's existing VESA mount and the monitor bracket using screws. The MonLines MPH010 VESA adapter then allows monitors with a maximum size of up to 37 inches to be rotated by 90 degrees (pivot function). The powder-coated adapter plate is compatible with any display and monitor mount with a VESA mount of 200x200 mm.

### Key features

Max. Screen size:	37 inch
Load capacity:	10 kg
VESA standard:	200x200 mm
Rotatable (pivot):	90°
Dimensions (WxHxD):	220 x 220 x 13 mm
Material:	Steel
Finish:	black with powdercoating