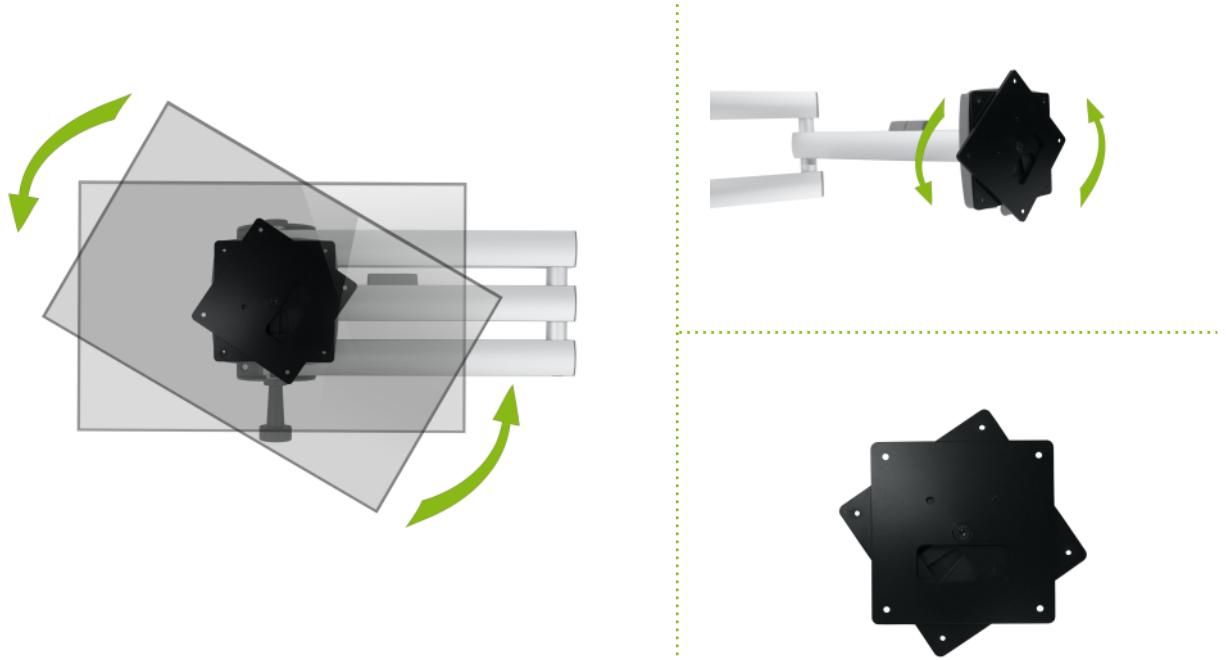


## MonLines MPH001 VESA adapter 100x100 with 90° pivot



### Description

A VESA standard is specified for the use of monitor mounts for televisions / monitors. The VESA mount is attached to the back of the display and often has four holes. Adapters can be attached to this mount to change the VESA distance or to make the monitor rotatable. The 90 degree rotatable MonLines VESA adapter is attached between the monitor's existing VESA mount and the monitor bracket using screws. The MonLines MPH001 VESA adapter then allows monitors of up to 32 inches and 5 kg to be rotated 90 degrees on the mount (pivot function). The powder-coated adapter plate is compatible with any display and monitor mount with a VESA mount of 100x100 mm.

### Key features

Max. screen size:	32 inch
VESA standard:	100x100
Load capacity:	5 kg
Rotate (pivot):	90°
Dimensions (WxHxD):	120 x 120 x 9 mm
Material:	Steel
Color:	Black with powder coating