



## DYNAMIC MOTION system DMUI-HSU

### The Legend Returns.

## DESCRIPTION

Mythical. With the DMUI-HSU's brand-new look and feel complementing its three-digit display and space for up to four saved memory positions, LOGICDATA has added a modern twist to a timeless classic.



## FEATURES

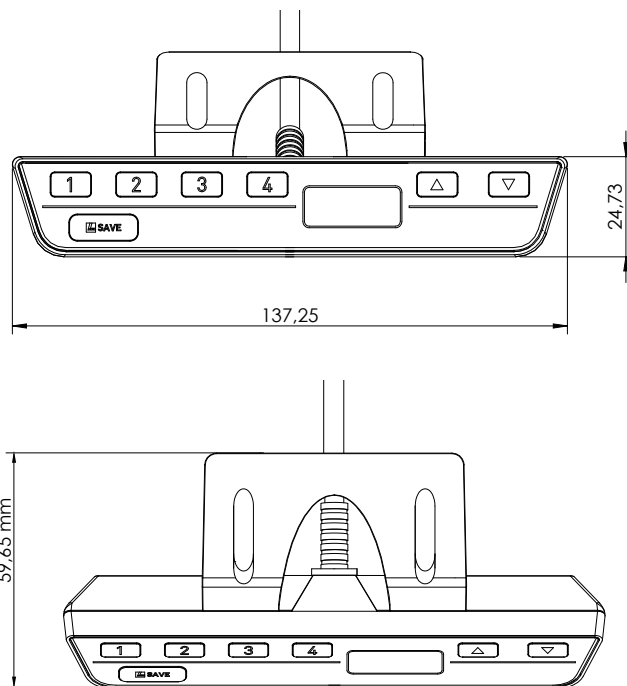
- Fully-customizable Hand Control
- Modern Look & Feel
- Soft Touch
- Up to 4 Memory Positions
- Responsive Up / Down Function
- Under-desk mounting

### Contact Headquarters

LOGICDATA Electronic & Software Entwicklungs GmbH  
Wirtschaftspark 18, 8530 Deutschlandsberg, [office.at@logicdata.net](mailto:office.at@logicdata.net)

### North America

LOGICDATA North America Inc., 5300 Broadmoor Ave SE,  
Suite D, Grand Rapids, MI 49512, USA, [office.na@logicdata.net](mailto:office.na@logicdata.net)



## TECHNICAL DATA

<b>Supply voltage</b>	28.5 V DC
<b>Current Consumption (average)</b>	30 mA
<b>Current Consumption (standby)</b>	<0.3 mA
<b>Cable length</b>	1 800 mm / 70.866 " (± 50 mm / 1.967 ")
<b>Dimensions (l x w x h )</b>	59.65 mm × 137.25 mm × 24.73 mm / 2.384 " x 5.404 " x 0.974 "
<b>Weight</b>	78.9 g
<b>Ambient conditions during operation</b>	+5 °C to +40 °C at max. 68% relative air humidity (non-condensing), up to an altitude of 2,000 m.
<b>Ambient conditions during transport and storage</b>	-25 °C to +40 °C at max. 68% relative air humidity (non-condensing). +40 °C to 60 °C at max. 32% relative air humidity (non-condensing). Temperatures of more than 40 °C for periods not exceeding 10h. Product must be acclimatised to acceptable operating conditions before assembly. Contact LOGICDATA for exact specifications.
<b>Compatibility</b>	Part of the DYNAMIC MOTION System
<b>Degree of protection (IEC 60529)</b>	IP 20
<b>Standards and regulations</b>	EMC directive 2014/30/EU RoHS directive 2011/65/EU Dodd Frank Act Section 1502
<b>Order Code</b>	<b>DMUI-HSU-C-FL-y-z</b>

Reserved, standard is blank  
 Customer Code, up to 3 characters, standard is "LD"