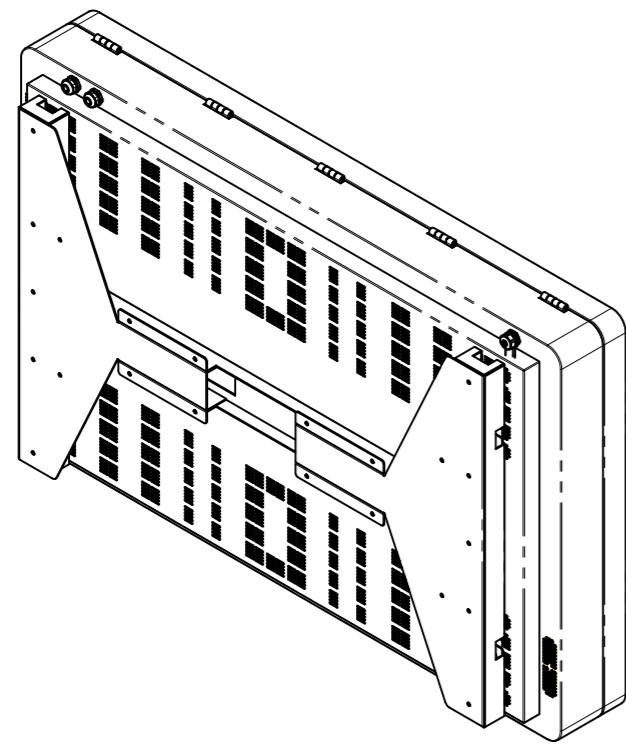
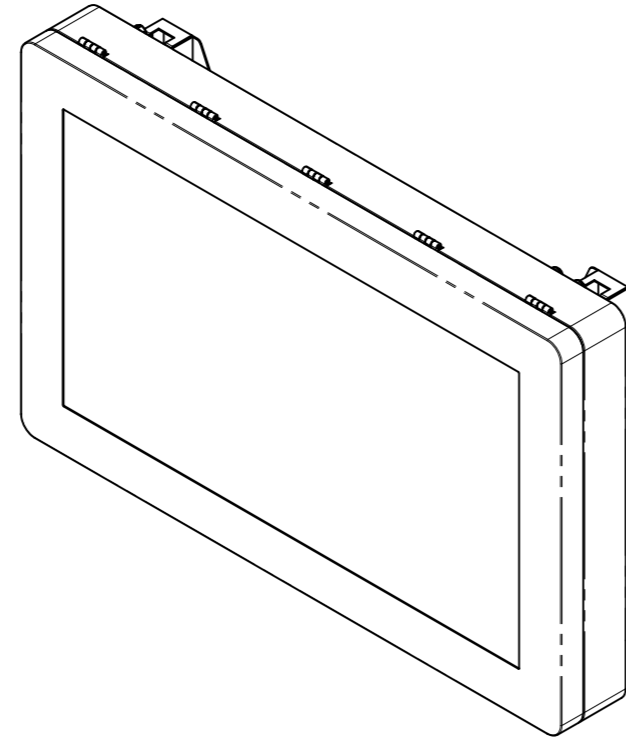


A B C D E F G H I J

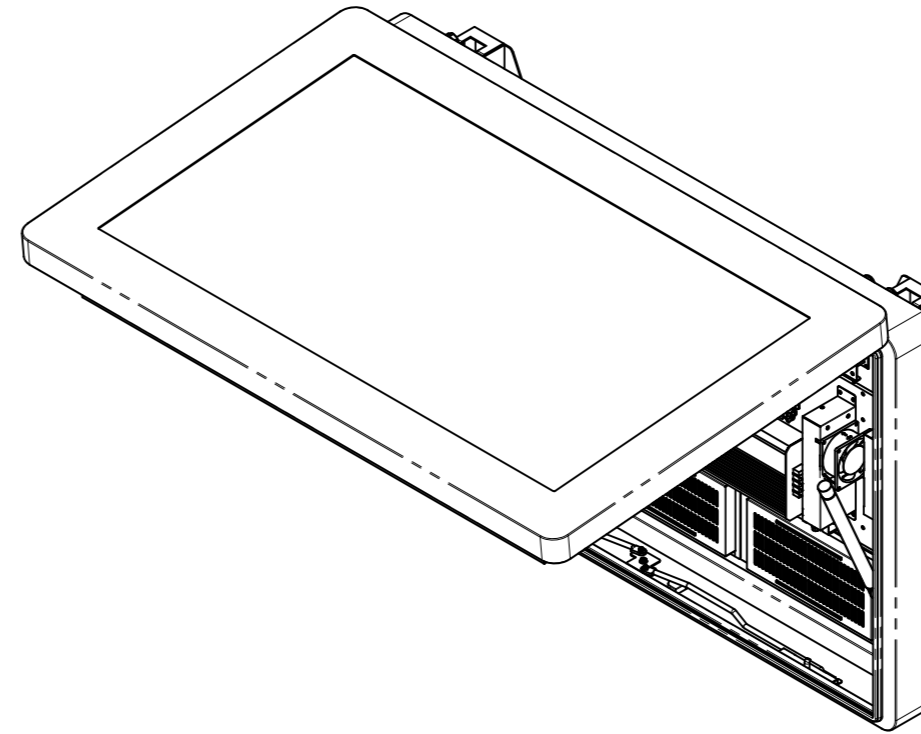
REV. NO		REV. HISTORY	LTR	ECO NO	DATE	APPR'L
DWG	PART					
00	00	INITIAL RELEASE	-	-	-	-



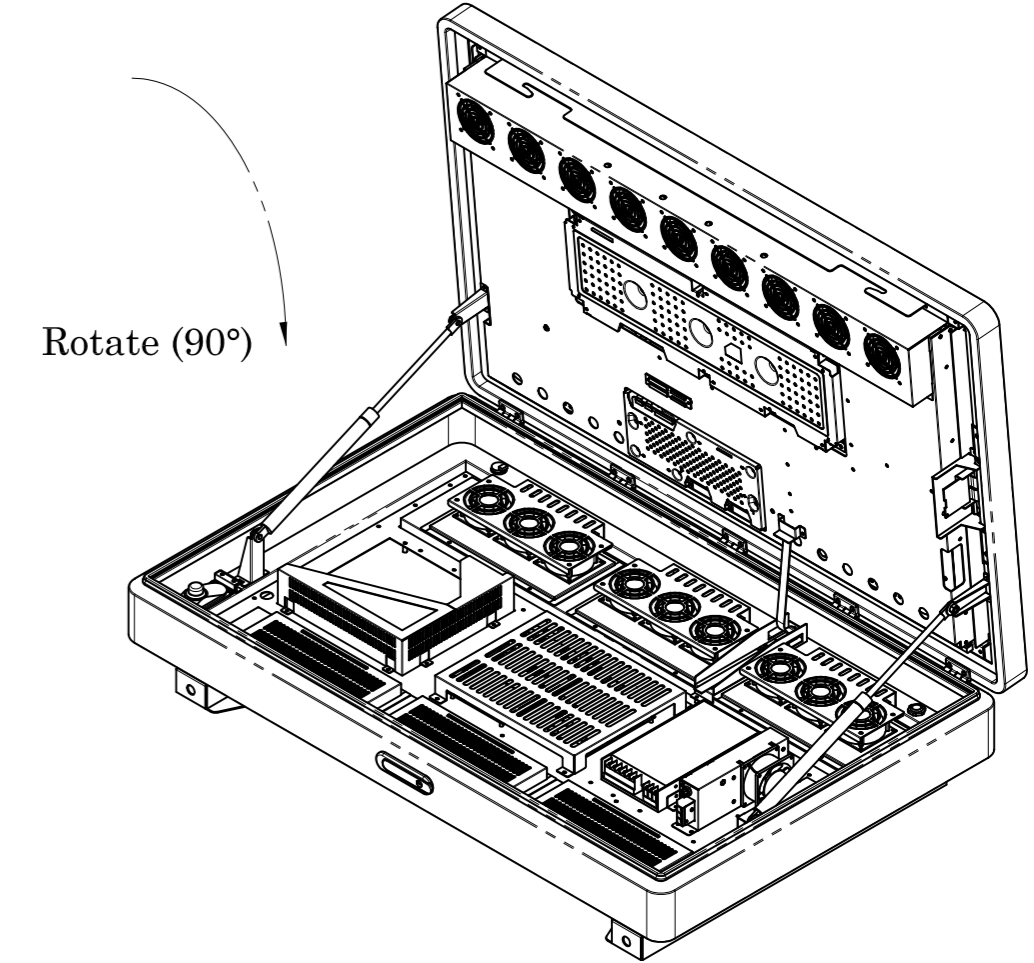
Landscape Rear View



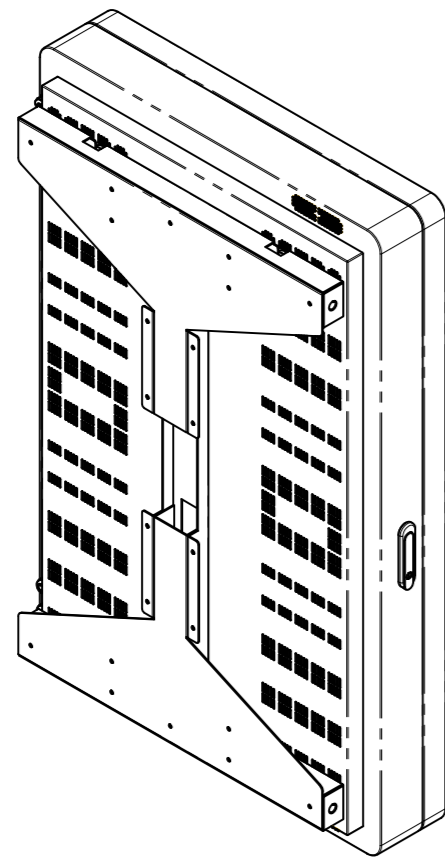
Landscape Front View



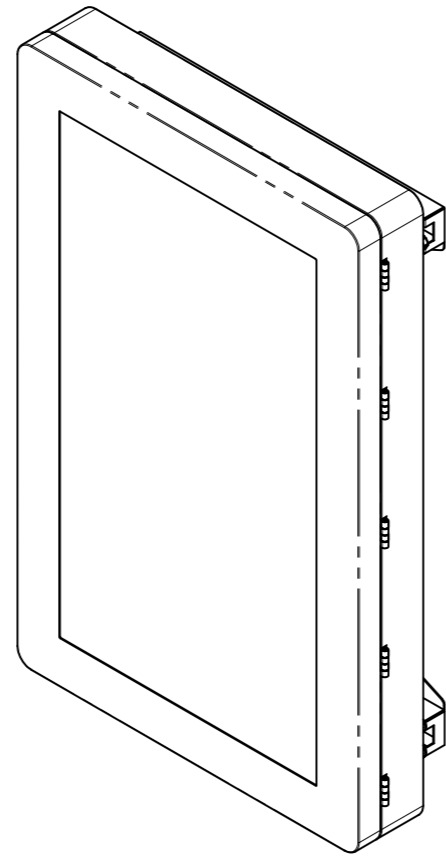
Front Open (Cover & LCD Panel)



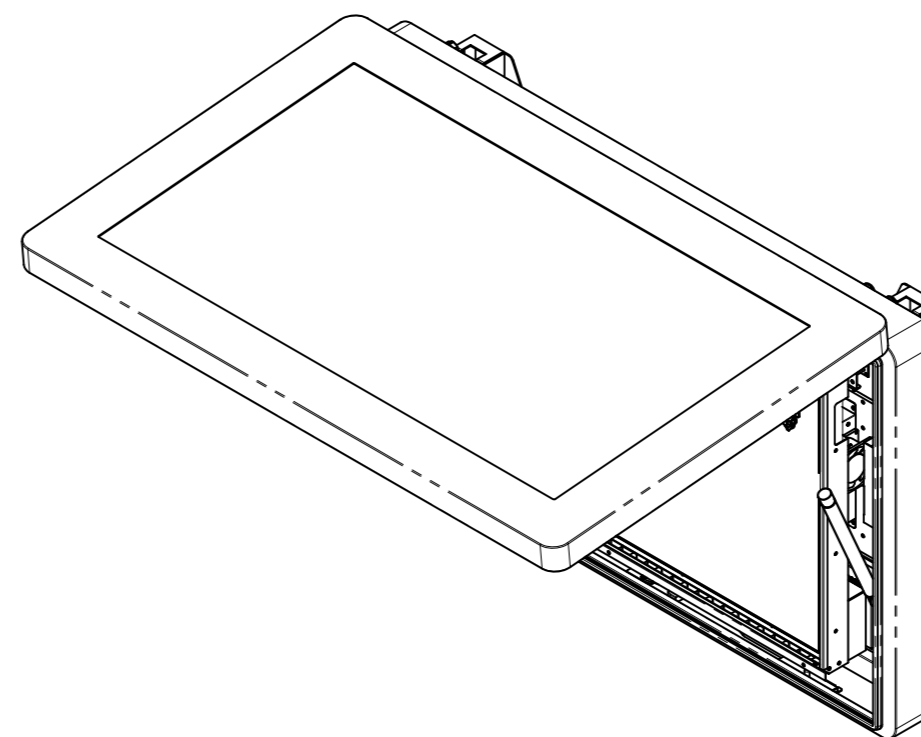
Rotate (90°)



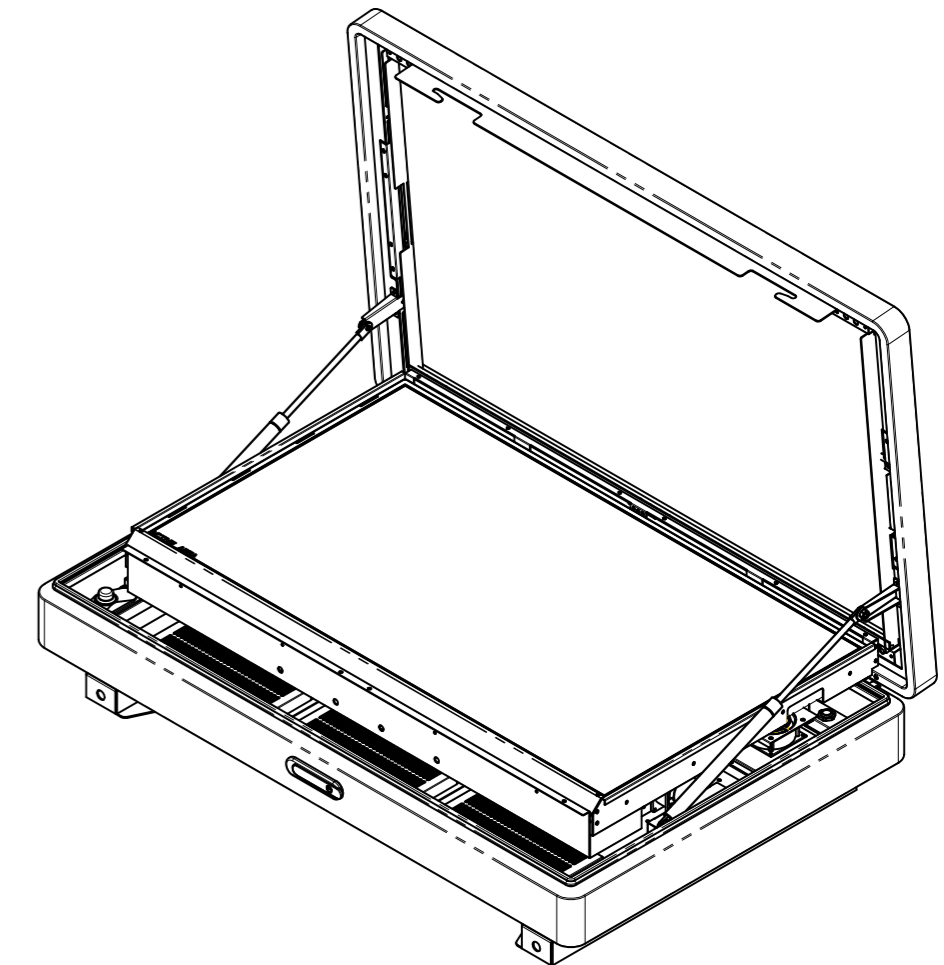
Portrait Rear View



Portrait Front View



LCD Panel Open (Cleaning & Panel Repair)

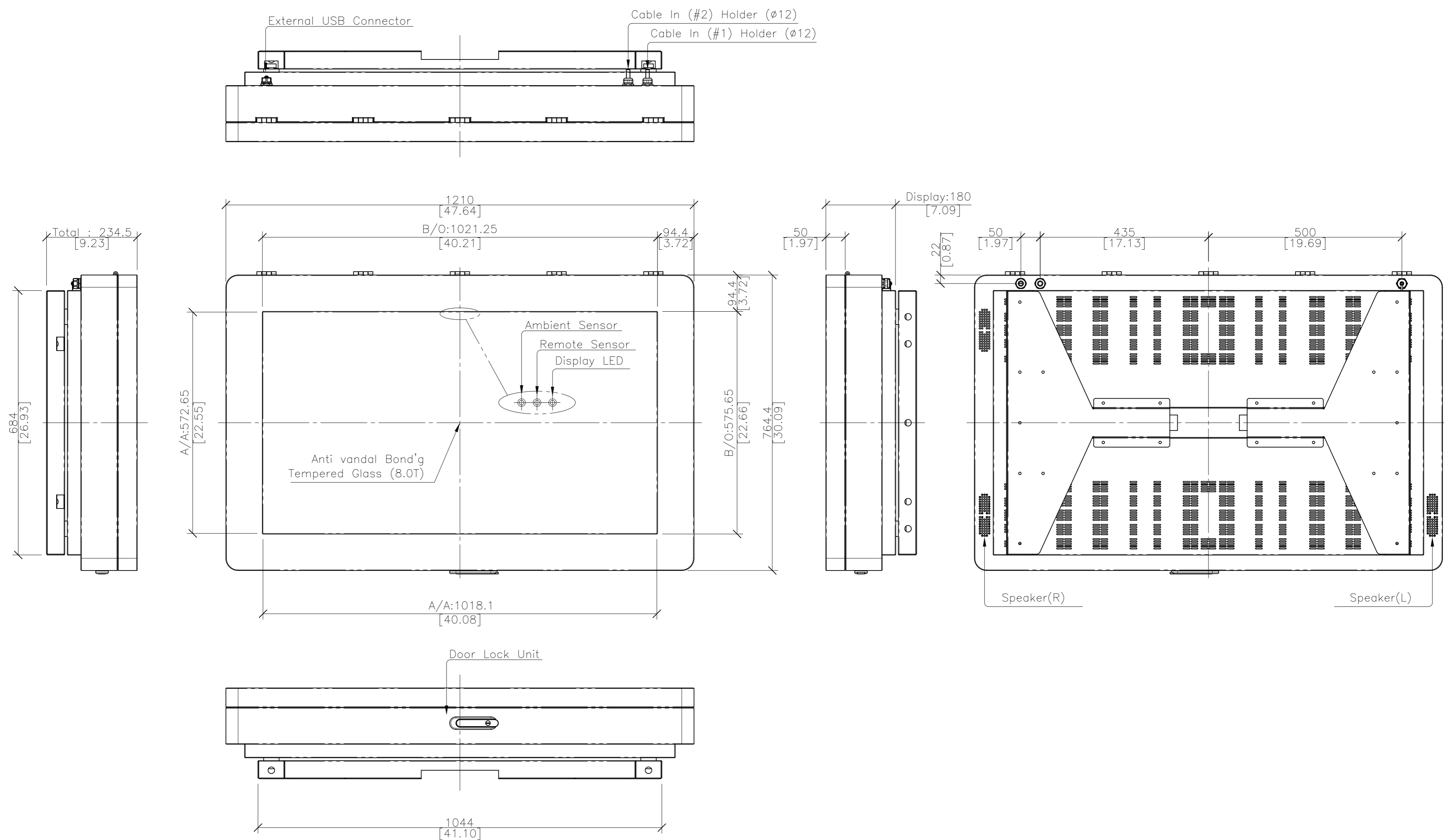


DRAWN	PLANNED	CHECKED	APPROVED	UNLESS OTHERWISE SPECIFIED ALL DIMENSION ARE IN MILLIMETERS	ANGLE: 3rd.	TITLE : H469M(LAND&PORT) ISO EXTERIOR VIEW	UNIT : mm
S.W.SEO	S.H.JANG	S.H.JANG	Y.T.KIM		TOLERANCES ARE : LINEAR : X ± 0.2 . X ± 0.1 . XX ± 0.01 ANGLES : ± 0.1° RADII UNLESS NOTED : R 0.3		SCALE : 1/10
'15.01.15	'15.01.15	'15.01.15	'15.01.15	MODEL NAME (CODE): H469M/H467M FILE NAME : LAYOUT_H469M_150312.DWG	CUSTOMER: HDIBT	DWG REV : 00	DWG(PART) NO. H469M_001
						SHT NO : 1/1	

This drawing is the property of HDIT Corp. and should not be disclosed to any third party without prior permission of HDIT Corp..

This drawing is the property of HDIT Corp. and should not be disclosed to any third party without prior permission of HDIT Corp..

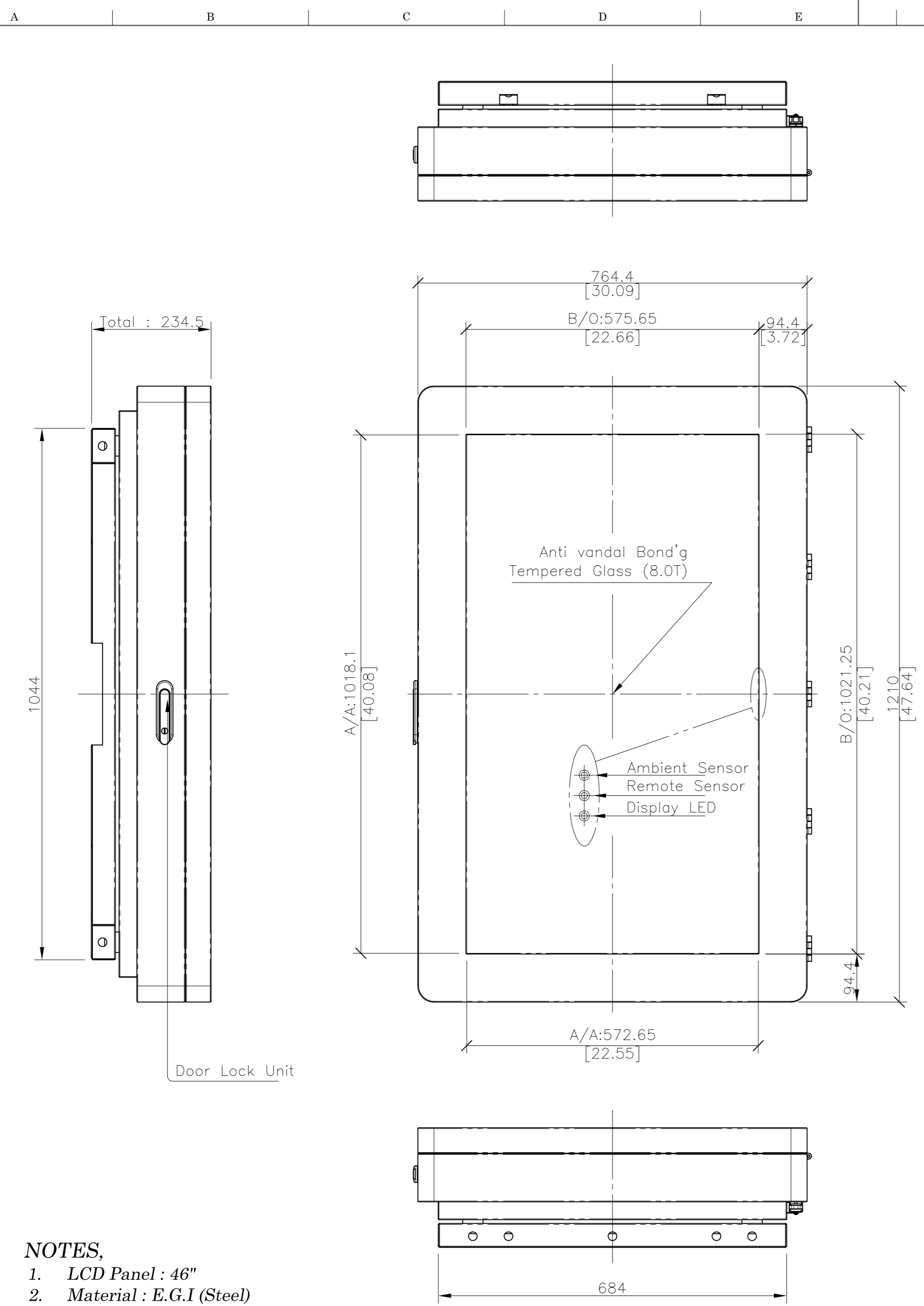
REV. NO		REV. HISTORY	LTR	ECO NO	DATE	APPR'L
DWG	PART					
00	00	INITIAL RELEASE	-	-	-	-



- NOTES,**
1. LCD Panel : 46"
 2. Material : E.G.I (Steel)
 3. Color : RAL7040
 4. Tempered Glass : 8.0T (Single AR / Anti vandal Glass)
 5. Net Weight : 88kg

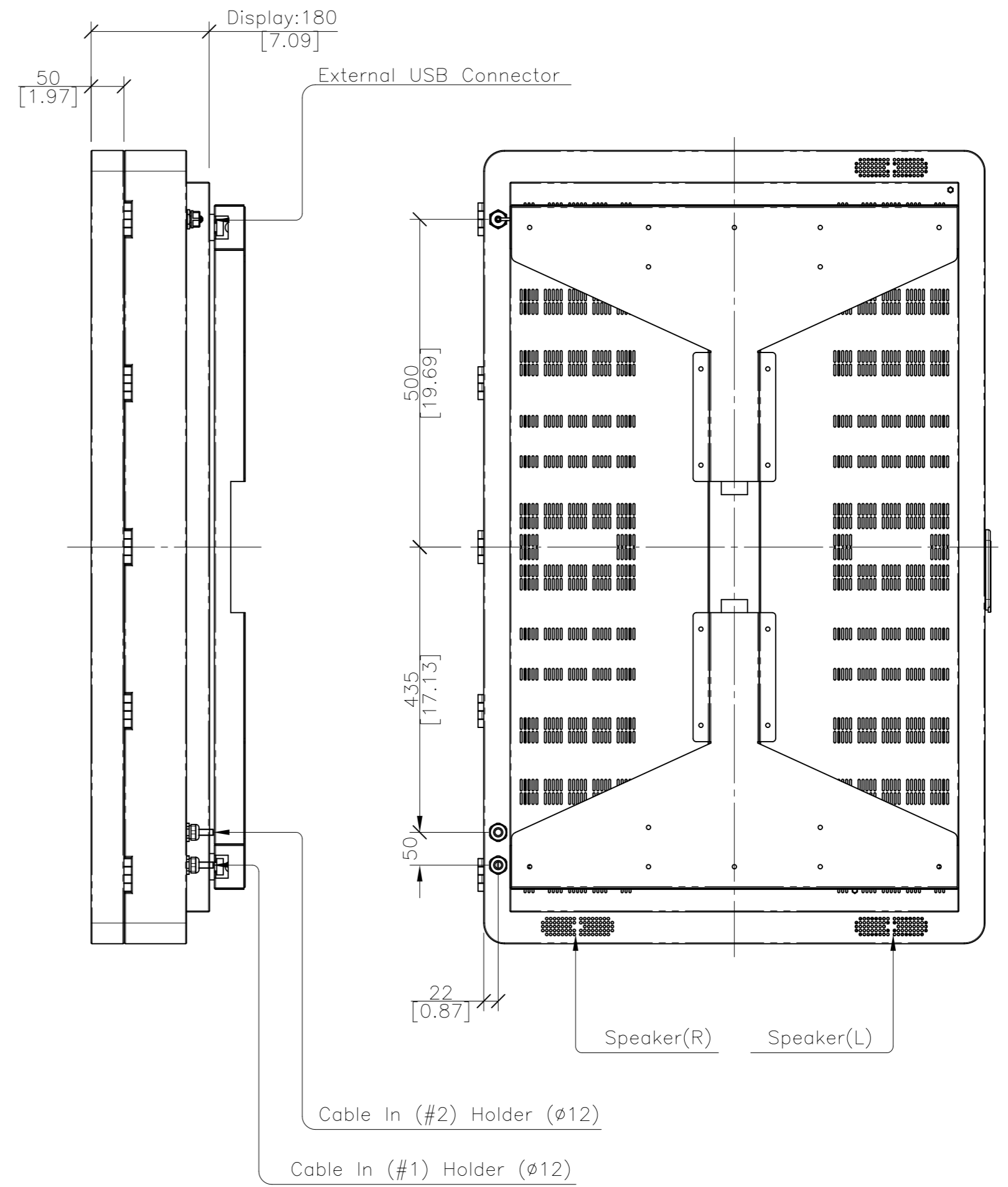
DRAWN	PLANNED	CHECKED	APPROVED	UNLESS OTHERWISE SPECIFIED ALL DIMENSION ARE IN MILLIMETERS	ANGLE 3rd.	TITLE :	UNIT :
S.H.JANG	S.H.JANG	-	Y.T.KIM	TOLERANCES ARE : LINEAR : X ± 0.2 .X ± 0.1 .XX ± 0.01 ANGLES : ± 0.1° RADI UNLESS NOTED : R 0.3	SCALE : 1/10		H469M(LANDSCAPE) EXTERIOR VIEW
'14.11.25	'14.11.25	-	'14.11.25				
				MODEL NAME (CODE): H469M/H467M	CUSTOMER: HDIT	DWG REV : 00	SIZE : A3
				FILE NAME : LAYOUT_H469M_150312.DWG			
						DWG(PART) NO. H469M_002_01	

This drawing is the property of HDIT Corp. and should not be disclosed to any third party without prior permission of HDIT Corp..



- NOTES,**
1. LCD Panel : 46"
 2. Material : E.G.I (Steel)
 3. Color : RAL7040
 4. Tempered Glass : 8.0T (Single AR / Anti vandal Glass)
 5. Net Weight : 88kg

REV. NO		REV. HISTORY	LTR	ECO NO	DATE	APPR'L
DWG	PART					
00	00	INITIAL RELEASE	-	-	-	-

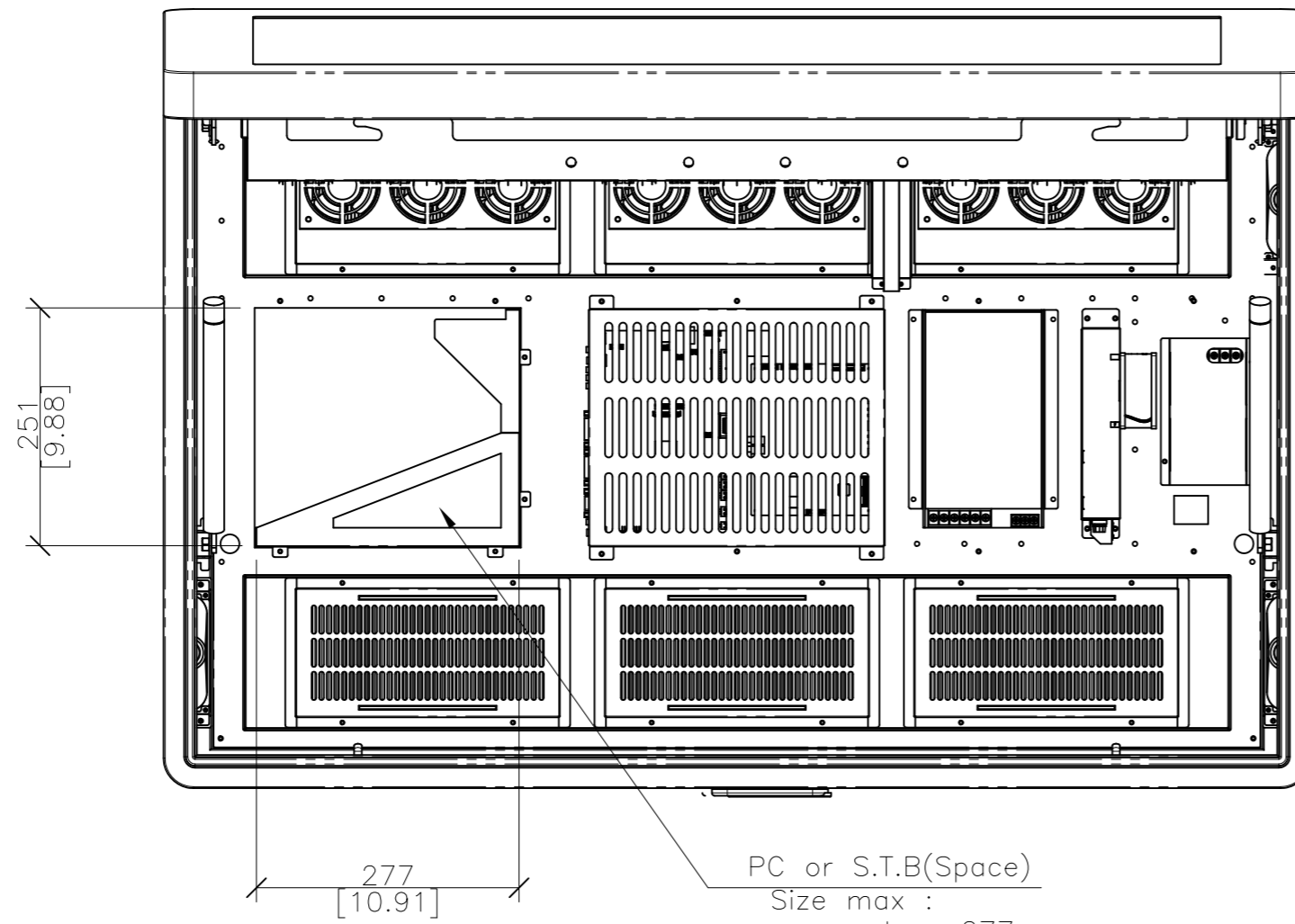


DRAWN	PLANNED	CHECKED	APPROVED	UNLESS OTHERWISE SPECIFIED ALL DIMENSION ARE IN MILLIMETERS	ANGLE 3rd.	TITLE :	UNIT :
S.H.JANG	S.H.JANG	-	Y.T.KIM	TOLERANCES ARE : LINEAR : X ± 0.2 .X ± 0.1 .XX ± 0.01 ANGLES : ± 0.1° RADI UNLESS NOTED : R 0.3	SCALE : 1/10		H469M(PORTRAIT) EXTERIOR VIEW
'14.11.25	'14.11.25	-	'14.11.25			DWG(PART) NO. H469M_002_02	
				MODEL NAME (CODE): H469M/H467M	CUSTOMER: HDIT	DWG REV : 00	SIZE : A3
				FILE NAME : LAYOUT_H469M_150312.DWG		SH'T NO : 1/1	

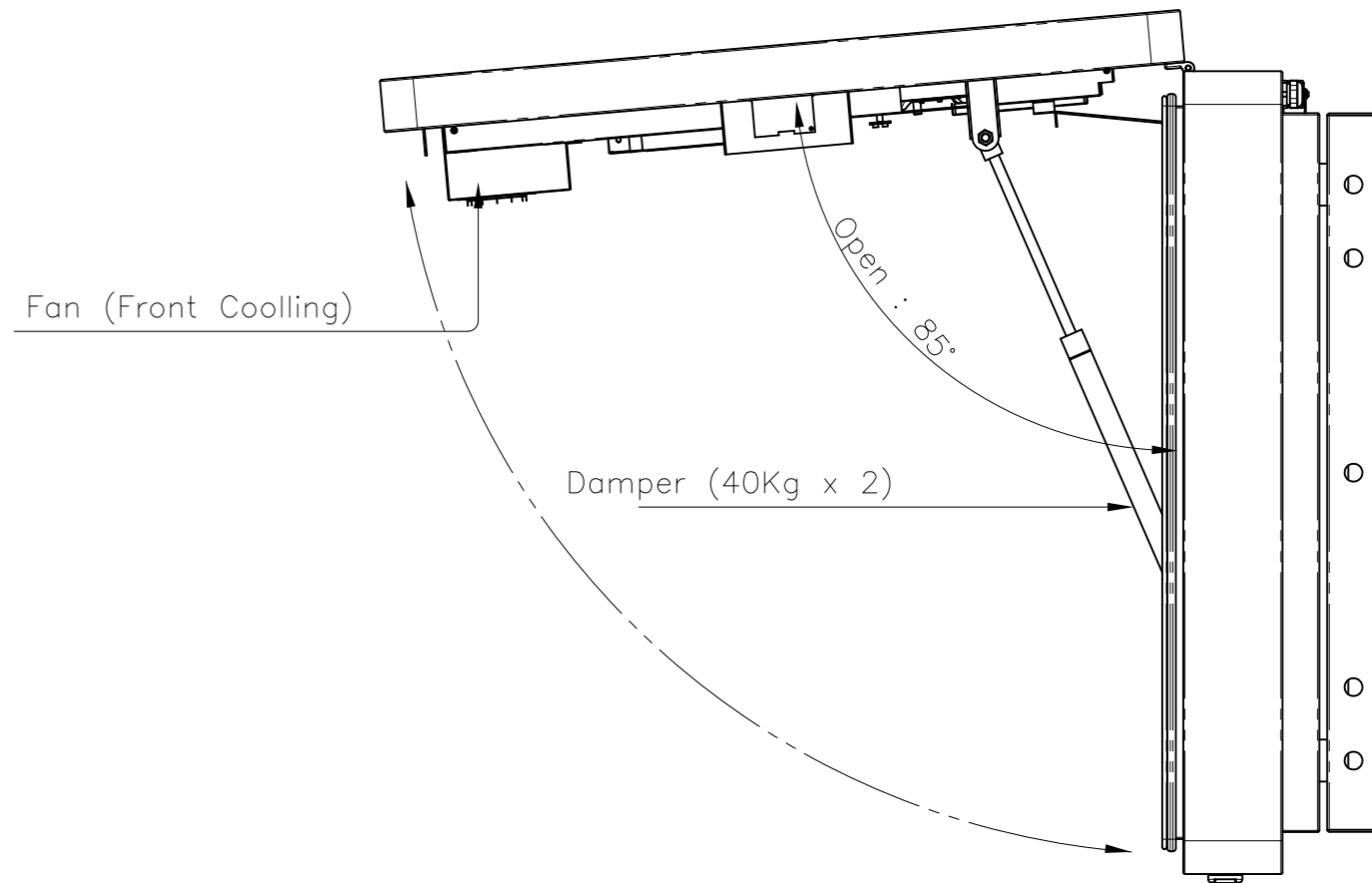
A B C D E F G H I J

REV. NO		REV. HISTORY	LTR	ECO NO	DATE	APPR'L
DWG	PART					
00	00	INITIAL RELEASE	-	-	-	-

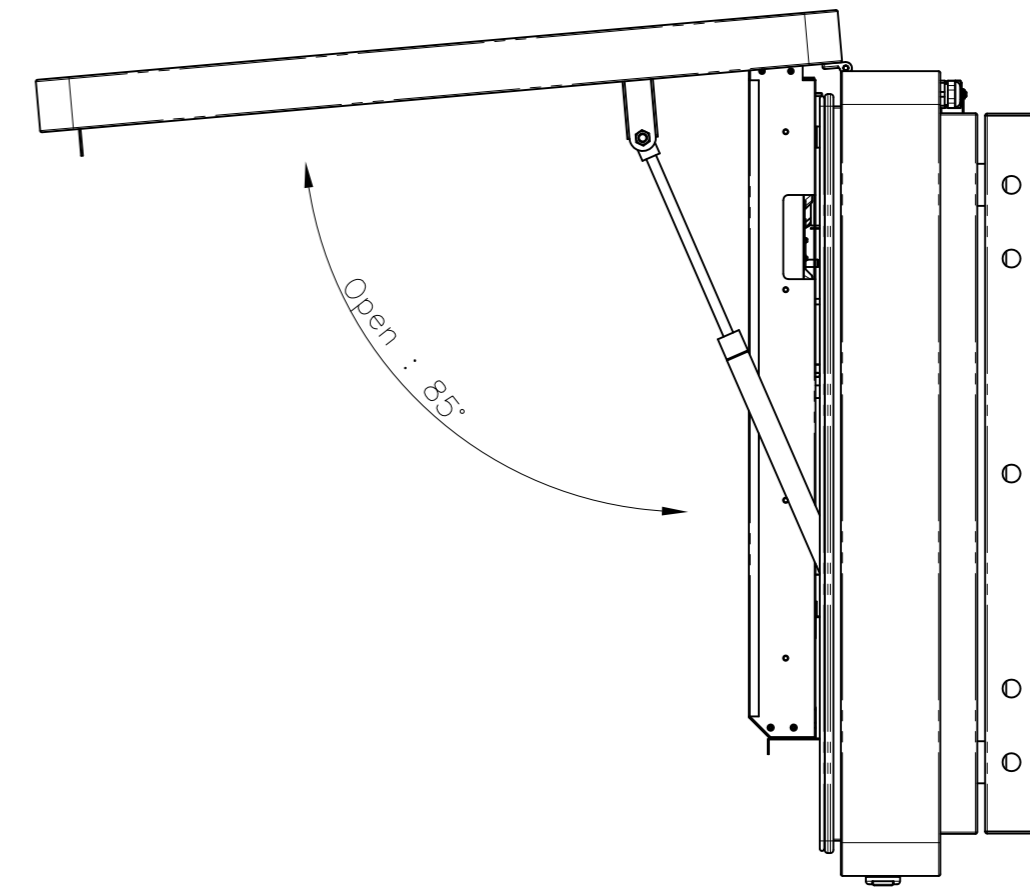
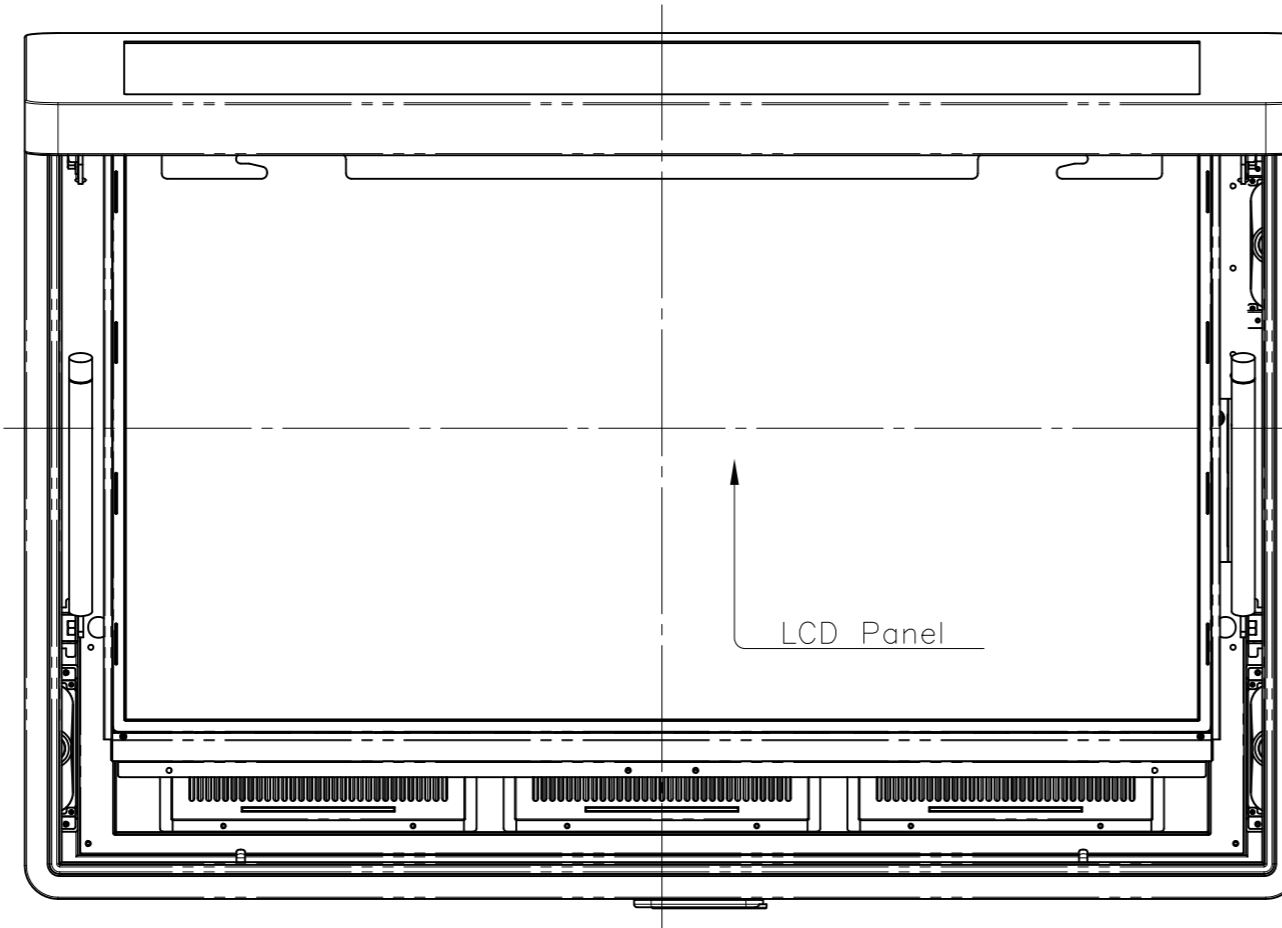
Front Open (Cover & LCD Panel)



PC or S.T.B(Space)
Size max :
L = 277
H = 251
D = 60mm



LCD Open (Cleaning & Panel Repair)



DRAWN	PLANNED	CHECKED	APPROVED	UNLESS OTHERWISE SPECIFIED ALL DIMENSION ARE IN MILLIMETERS	ANGLE 3rd.	TITLE : H469M(Open) EXTERIOR VIEW	UNIT : mm
S.H.JANG	S.H.JANG	-	Y.T.KIM		SCALE : 1/10		TYPE : ASSY
'15.01.21	'15.01.21	-	'15.01.21	TOLERANCES ARE : LINEAR : X ± 0.2 .X ± 0.1 .XX ± 0.01 ANGLES : ± 0.1° RADII UNLESS NOTED : R 0.3	DWG REV : 00	DWG(PART) NO. H469M_003	SIZE : A3
				MODEL NAME (CODE): H469M/H467M	CUSTOMER: HDIT		SHT' NO : 1/1
				FILE NAME : LAYOUT_H469M_150312.DWG			

This drawing is the property of HDIT Corp. and should not be disclosed to any third party without prior permission of HDIT Corp..