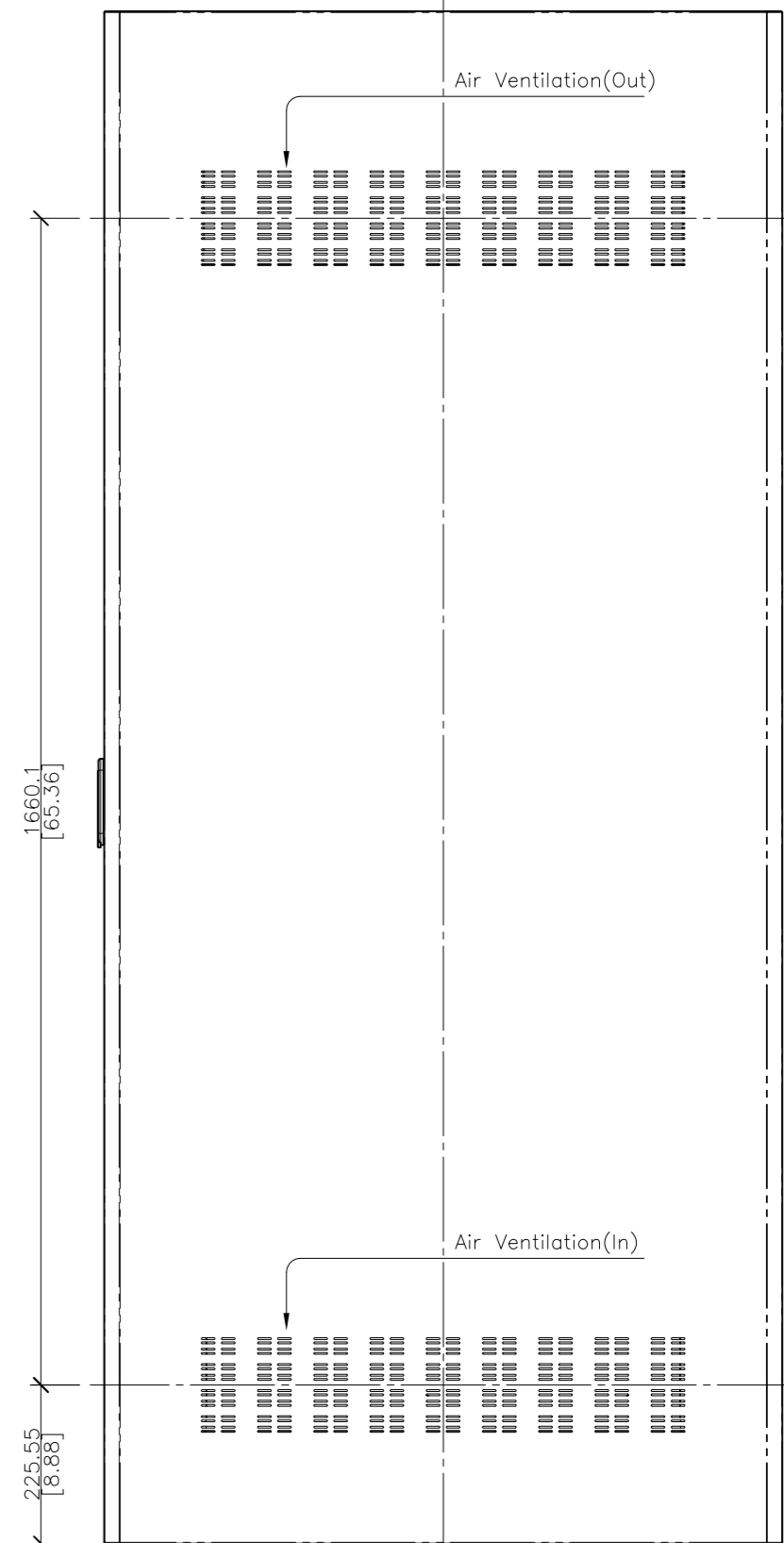
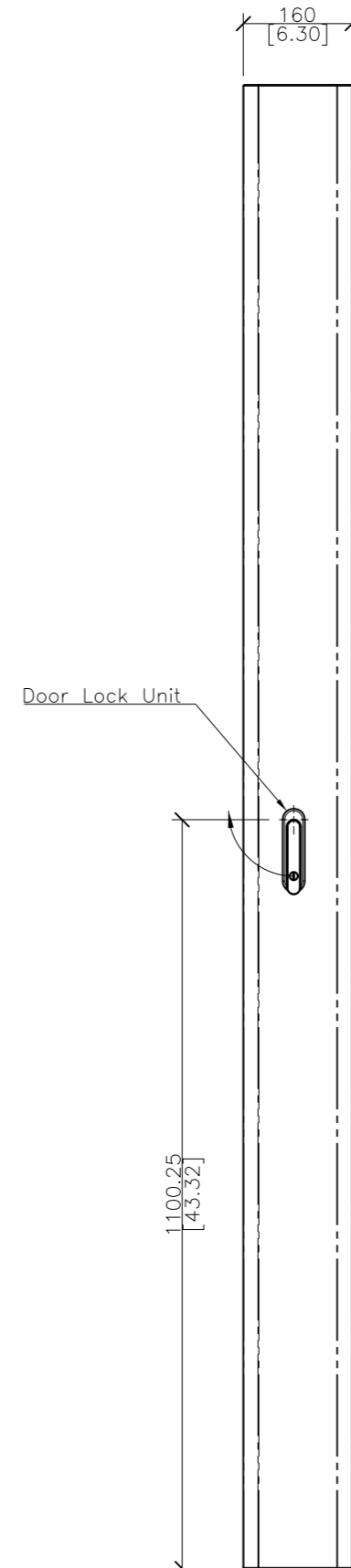
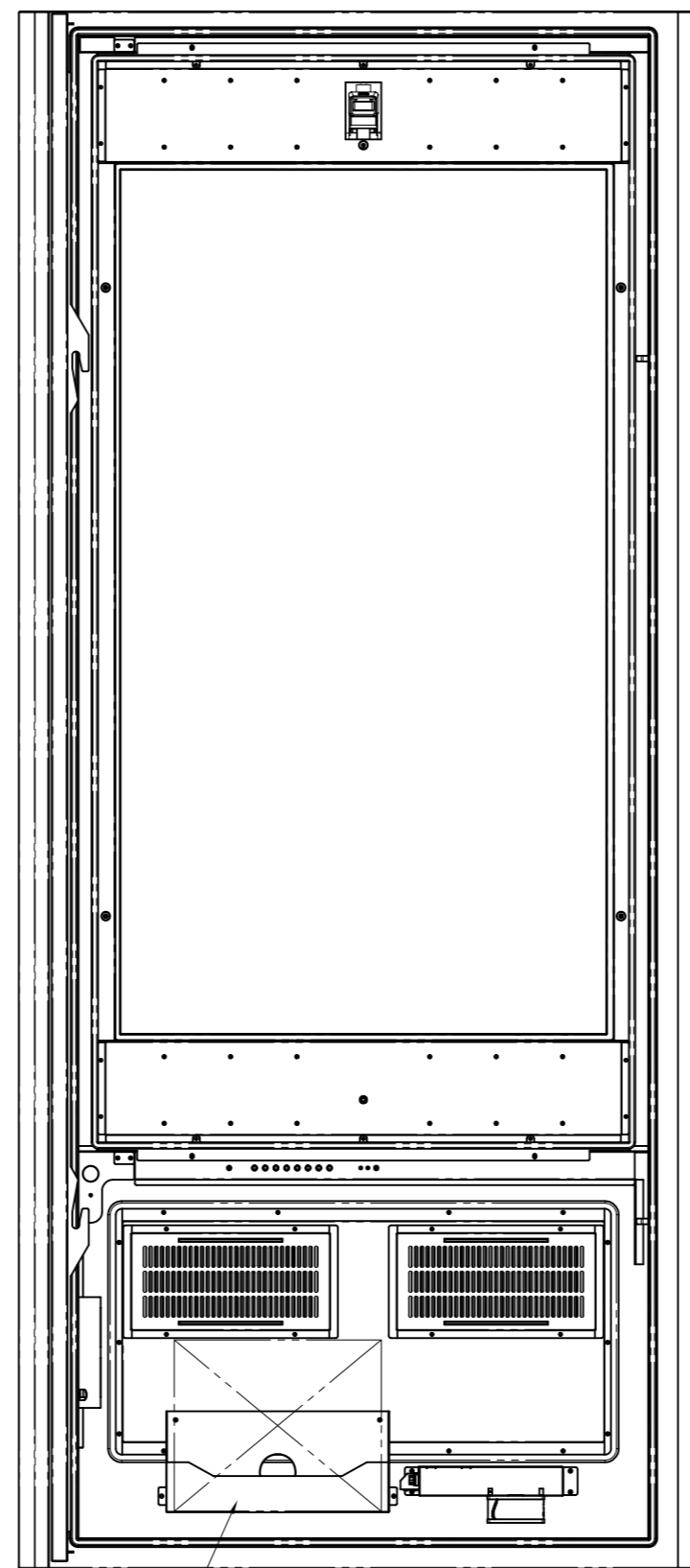
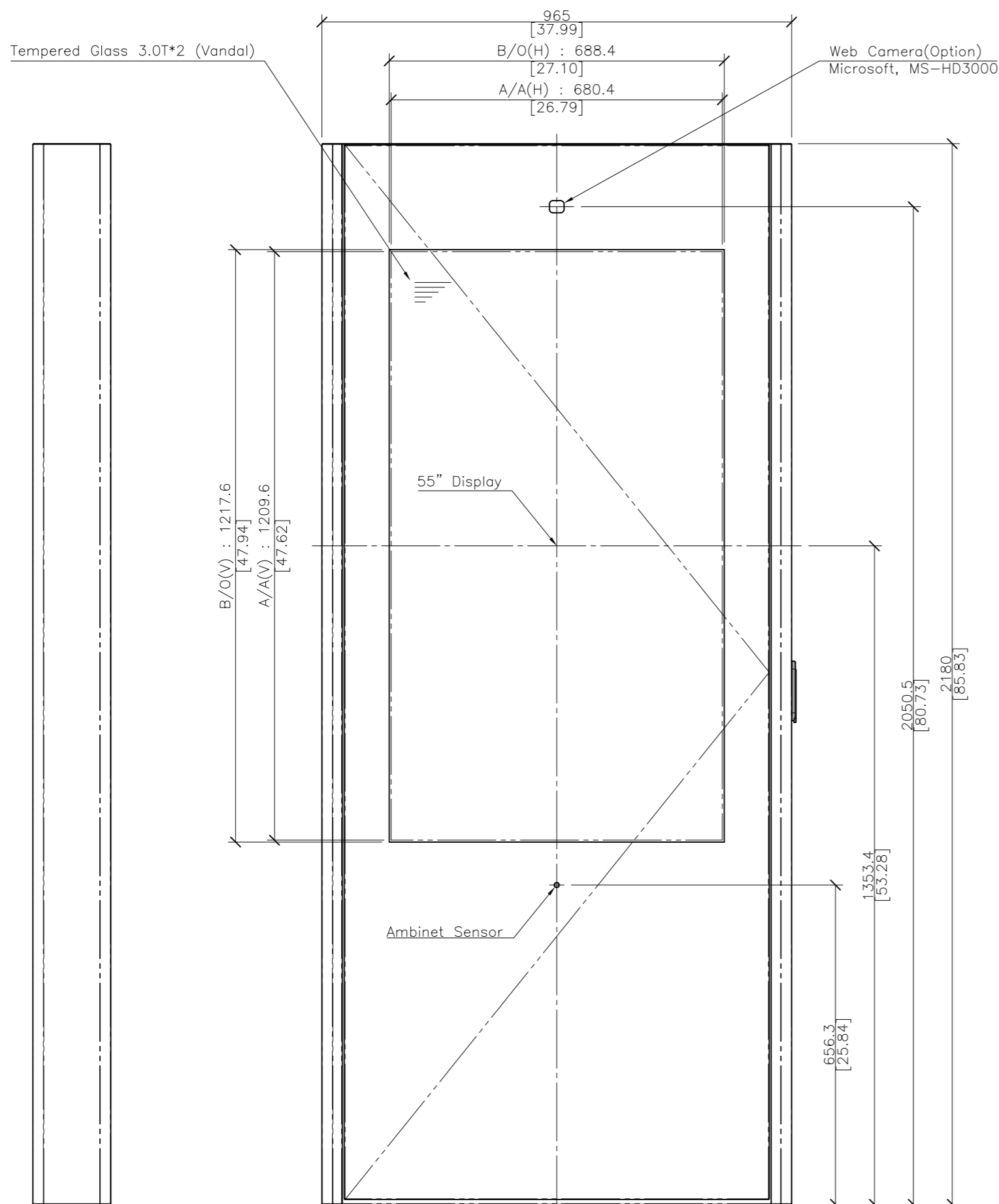
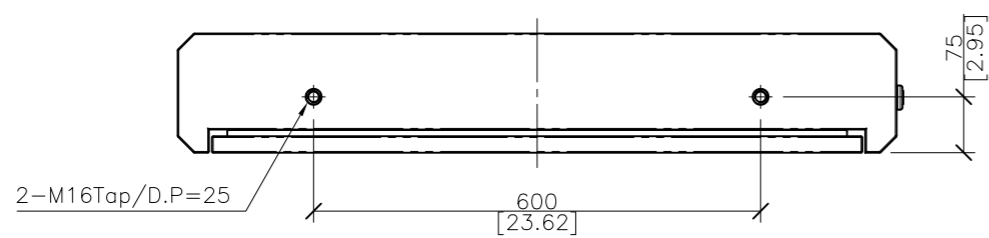
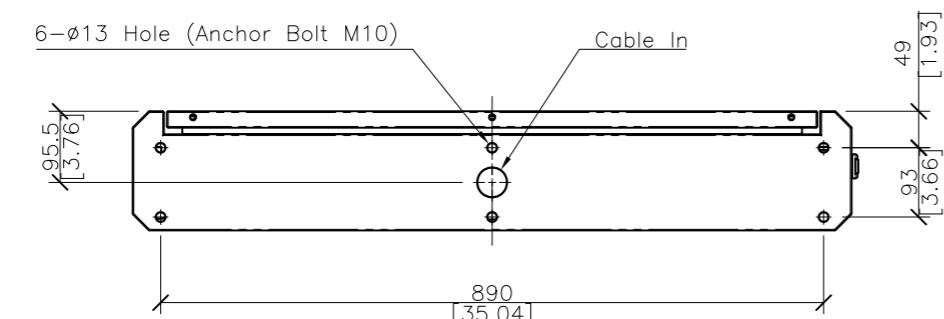


REV. NO		REV. HISTORY	LTR	ECO NO	DATE	APPR'L
DWG	PART					
00	00	INITIAL RELEASE	-	-	-	-



STB BOX Size(Max) : W(280)xH(240)xD(110) **FRONT OPEN VIEW**



**NOTES,**

1. Cable Entry : Cable Gland("IP66" or more certified products should be used)

DRAWN	PLANNED	CHECKED	APPROVED	UNLESS OTHERWISE SPECIFIED ALL DIMENSION ARE IN MILLIMETERS	ANGLE 3rd.	TITLE : H557SS Series EXTERIOR VIEW	UNIT : mm
S.W.SEO	S.H.JANG	S.H.JANG	Y.T.KIM	TOLERANCES ARE: LINEAR : X ± 0.20 X ± 0.1 XX ± 0.01 ANGLES : ± 0.1° RADIUS UNLESS NOTED : R 0.3	SCALE : 1/10		TYPE : ASSY
'15.09.23	'15.09.23	'15.09.23	'15.09.23			DWG(PART) NO. H557SS_001	SIZE : A2
			MODEL NAME (CODE): H557SS*	CUSTOMER:	DWG REV : 01		SHT NO : 1/1
				FILE NAME : LAYOUT_H557S_150721.DWG			