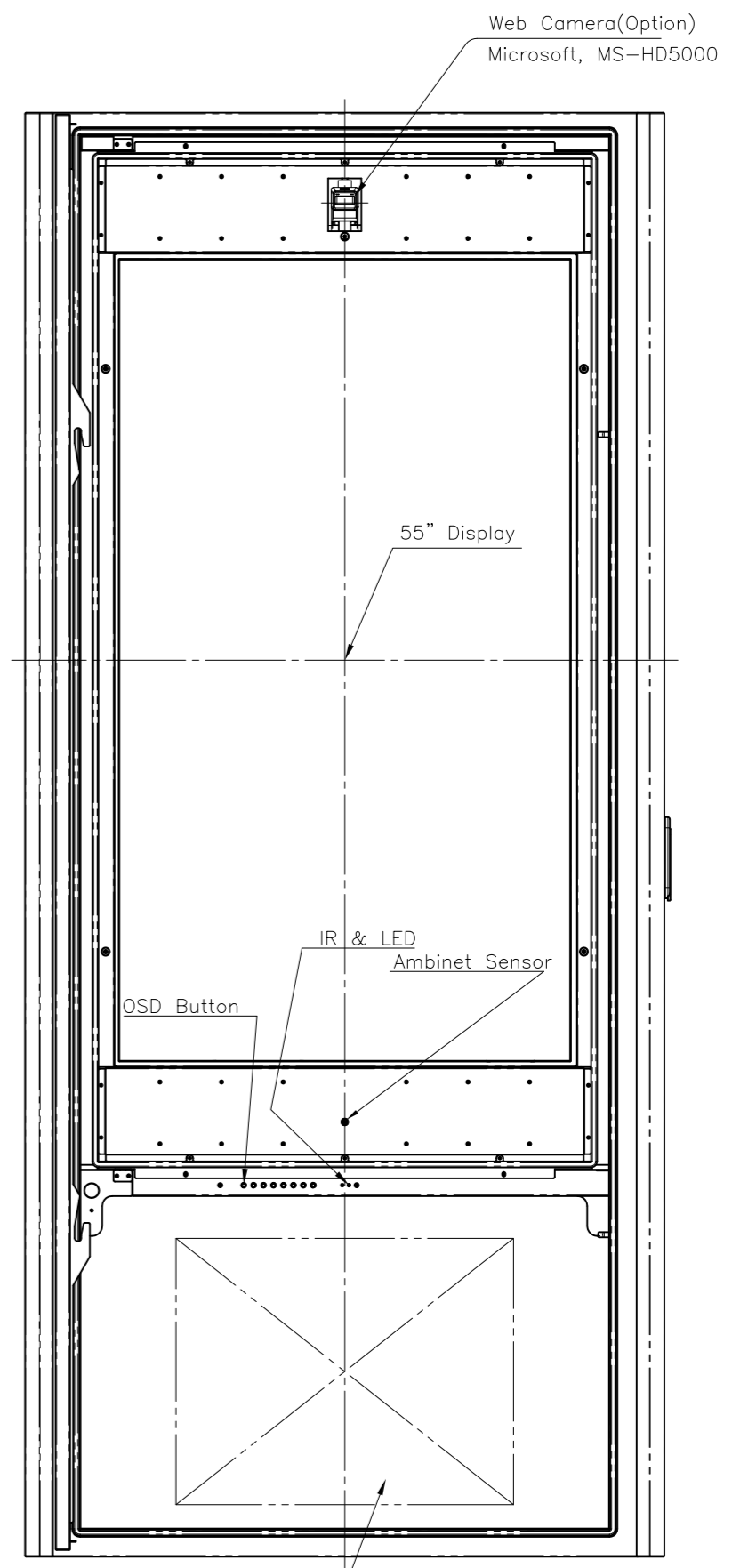
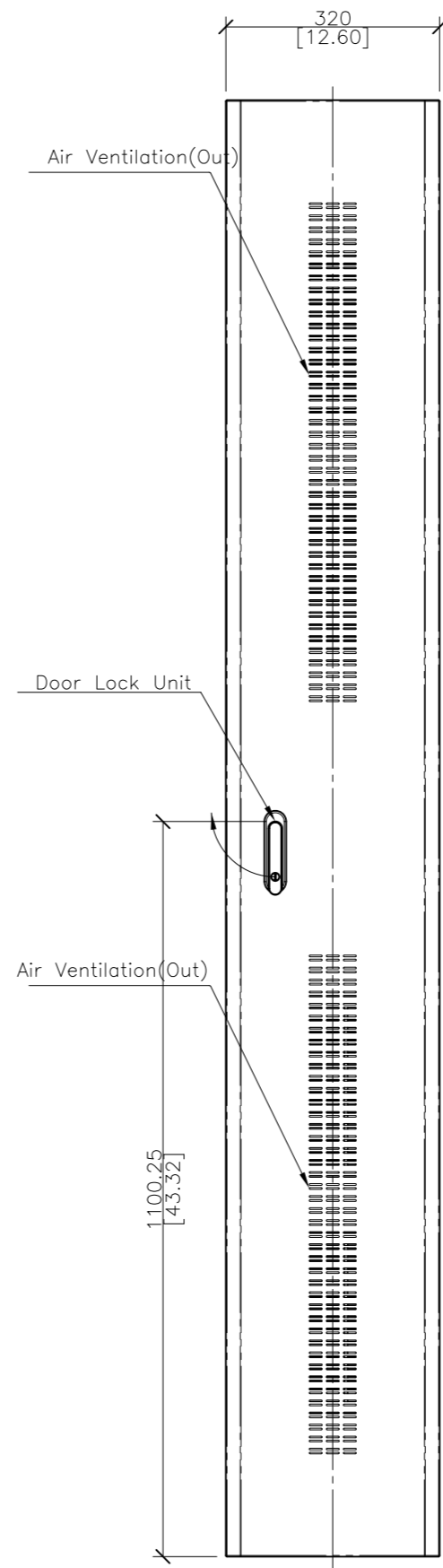
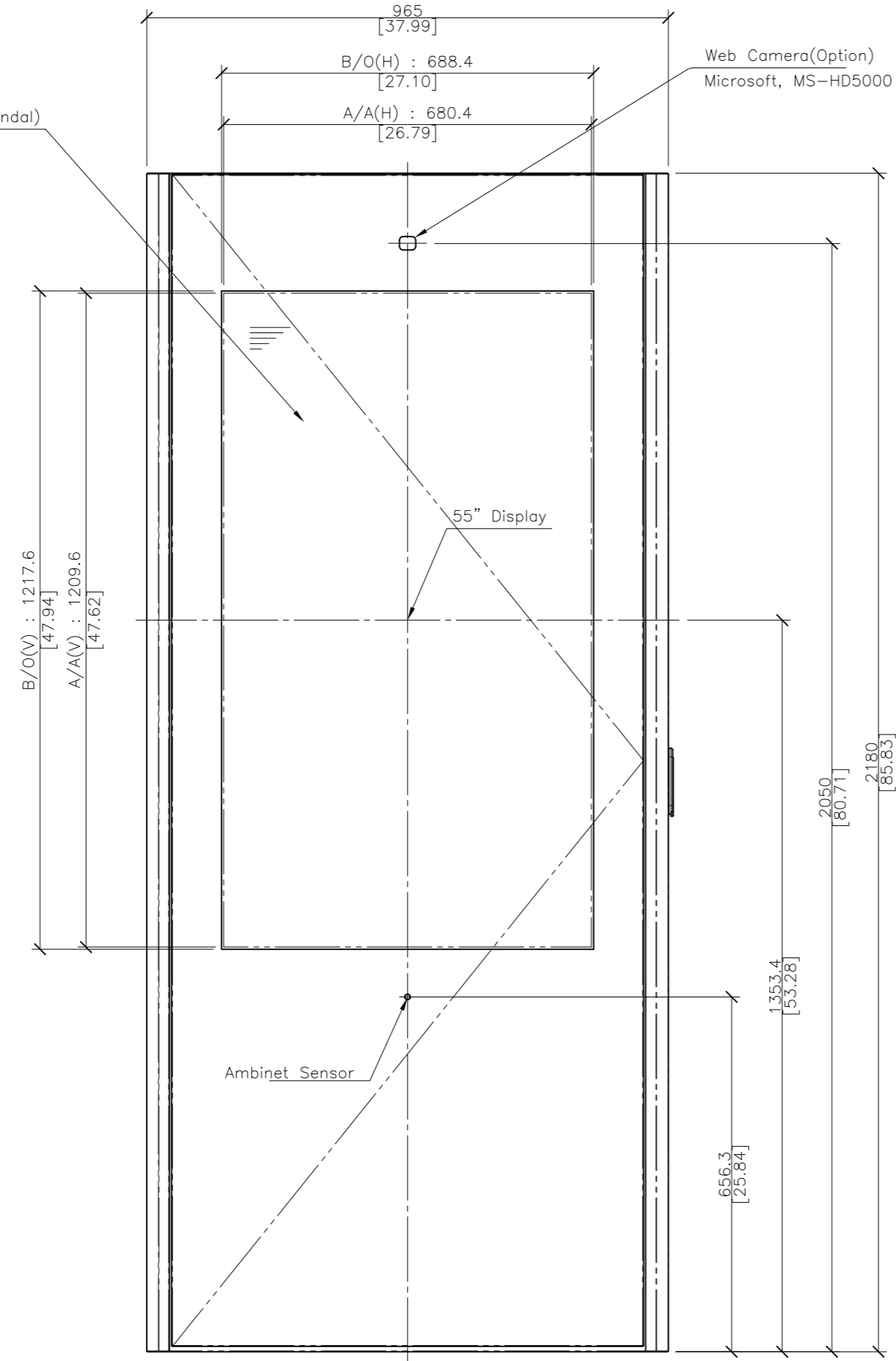
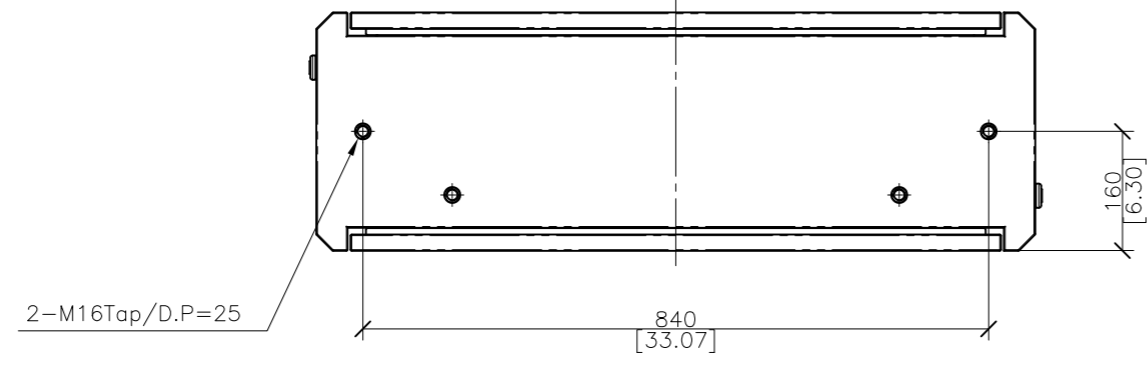
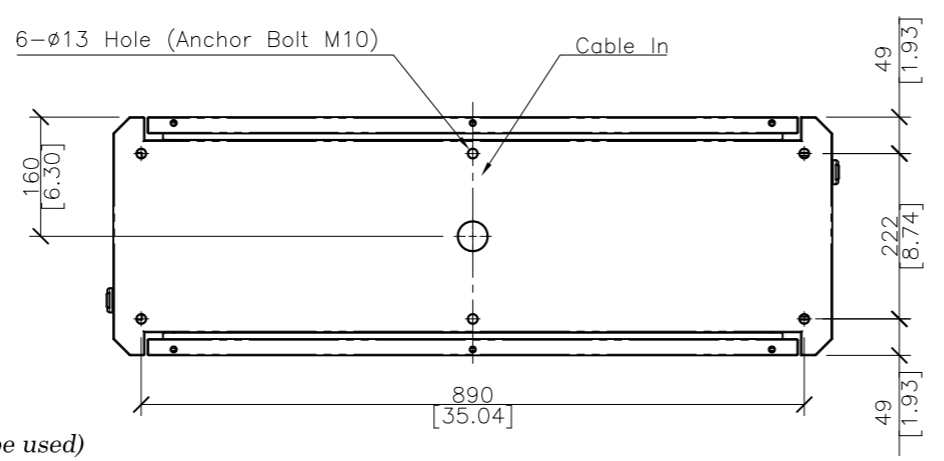


REV. NO		REV. HISTORY	LTR	ECO NO	DATE	APPR'L
DWG	PART					
00	00	INITIAL RELEASE	-	-	-	-



STB Area(Max) : 500(W) x 380(H) x 240(D)

Open View



**NOTES**

1. Cable Entry : Cable Gland("IP66" or more certified products should be used)

DRAWN	PLANNED	CHECKED	APPROVED	UNLESS OTHERWISE SPECIFIED ALL DIMENSION ARE IN MILLIMETERS	ANGLE 3rd.	TITLE	UNIT : mm
S.H.JANG	S.H.JANG	-	Y.T.KIM	TOLERANCES ARE: LINEAR : X ± 0.20 X ± 0.1 XX ± 0.01 ANGLES : ± 0.1° RADIUS UNLESS NOTED : R 0.3	SCALE : 1/10	H557SD(Double side) EXTERIOR VIEW	TYPE : ASSY
'15.09.23	'15.09.23	-	'15.09.23	MODEL NAME (CODE): H557SD	CUSTOMER : -	DWG REV : 01	DWG(PART) NO. H557SD_001
FILE NAME : LAYOUT_H557S_150721.DWG				SHT NO : 1/1		SIZE : A2	

