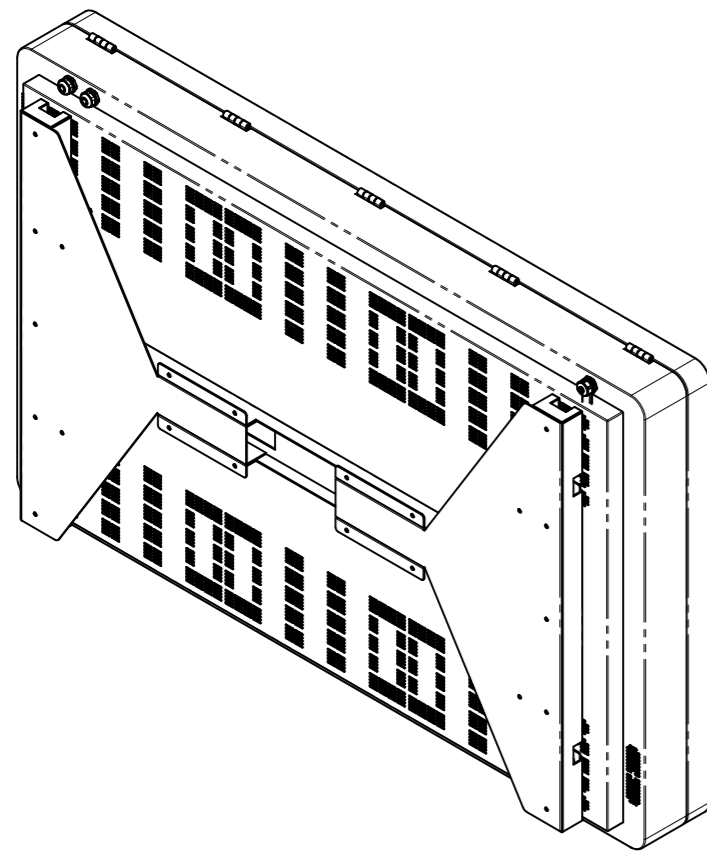
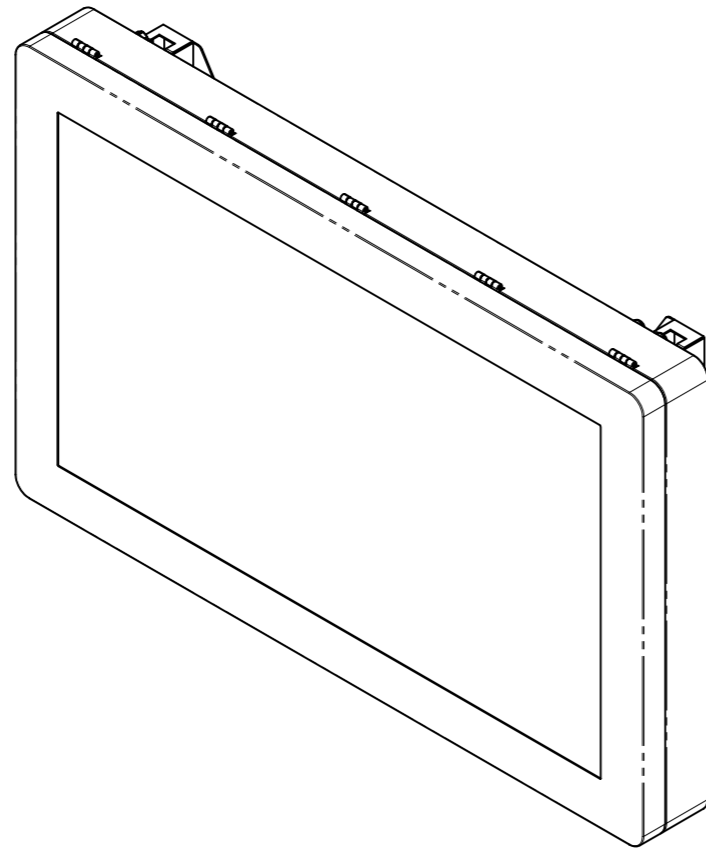


A B C D E F G H I J K L

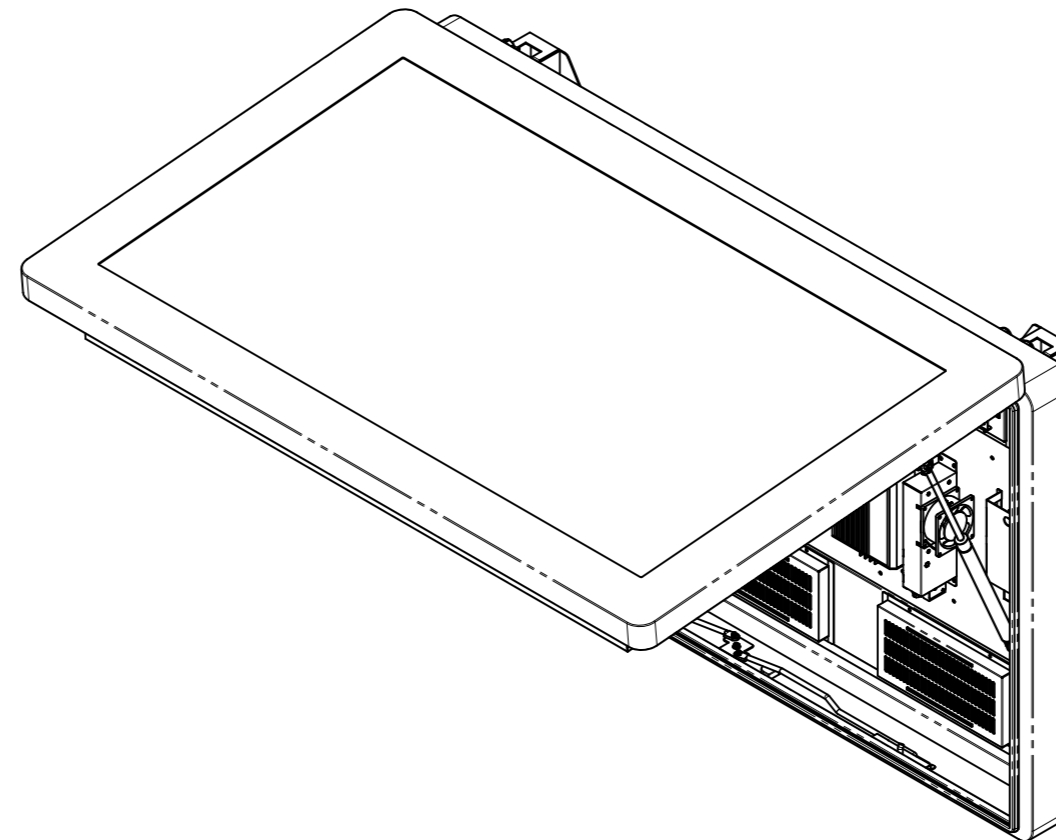
| REV. NO | | REV. HISTORY | LTR | ECO NO | DATE | APPR'L |
|---------|------|-----------------|-----|--------|------|--------|
| DWG | PART | | | | | |
| 00 | 00 | INITIAL RELEASE | - | - | - | - |



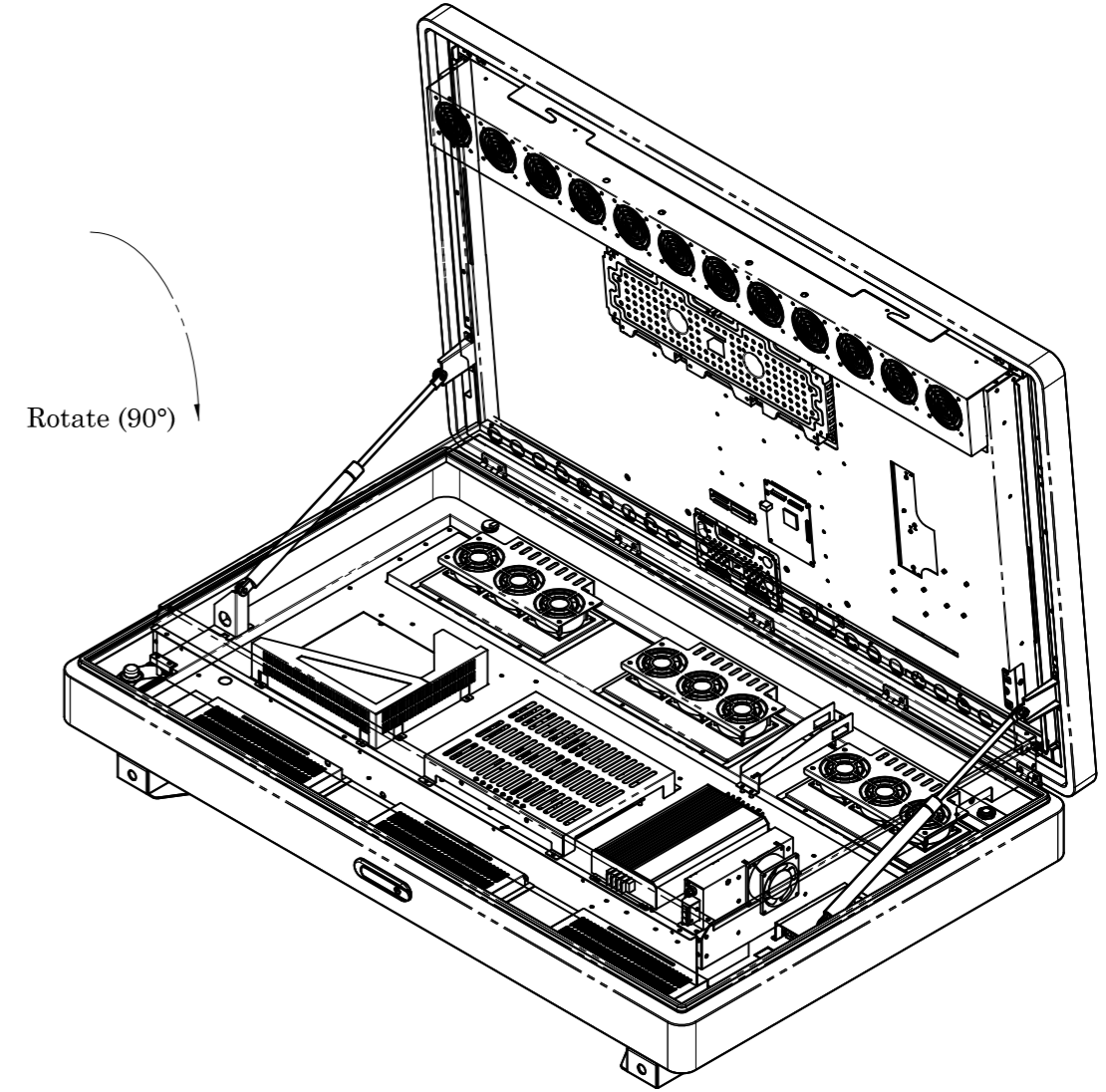
Landscape Rear View



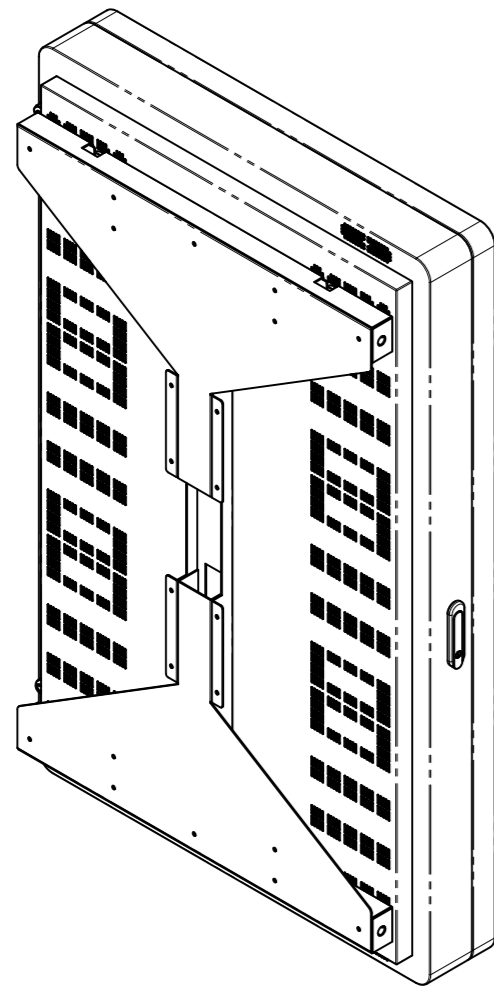
Landscape Front View



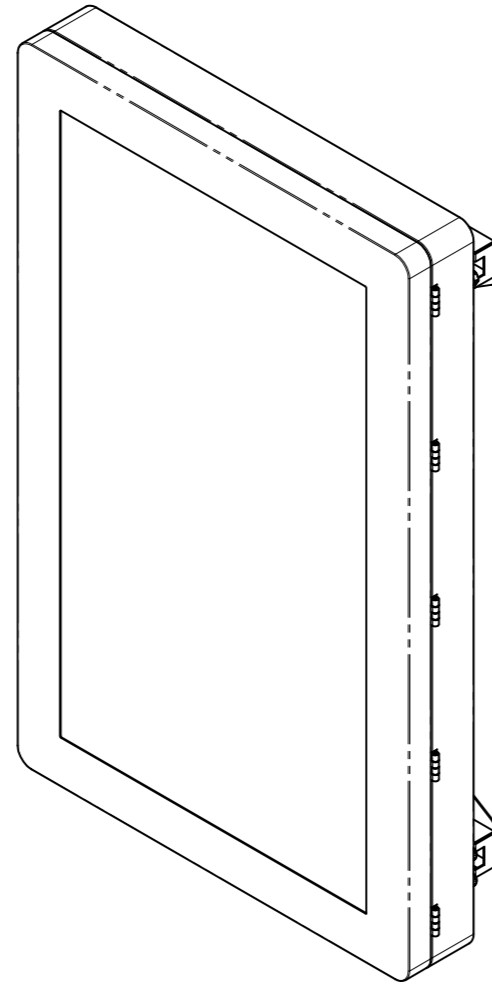
Front Open (Cover & LCD Panel)



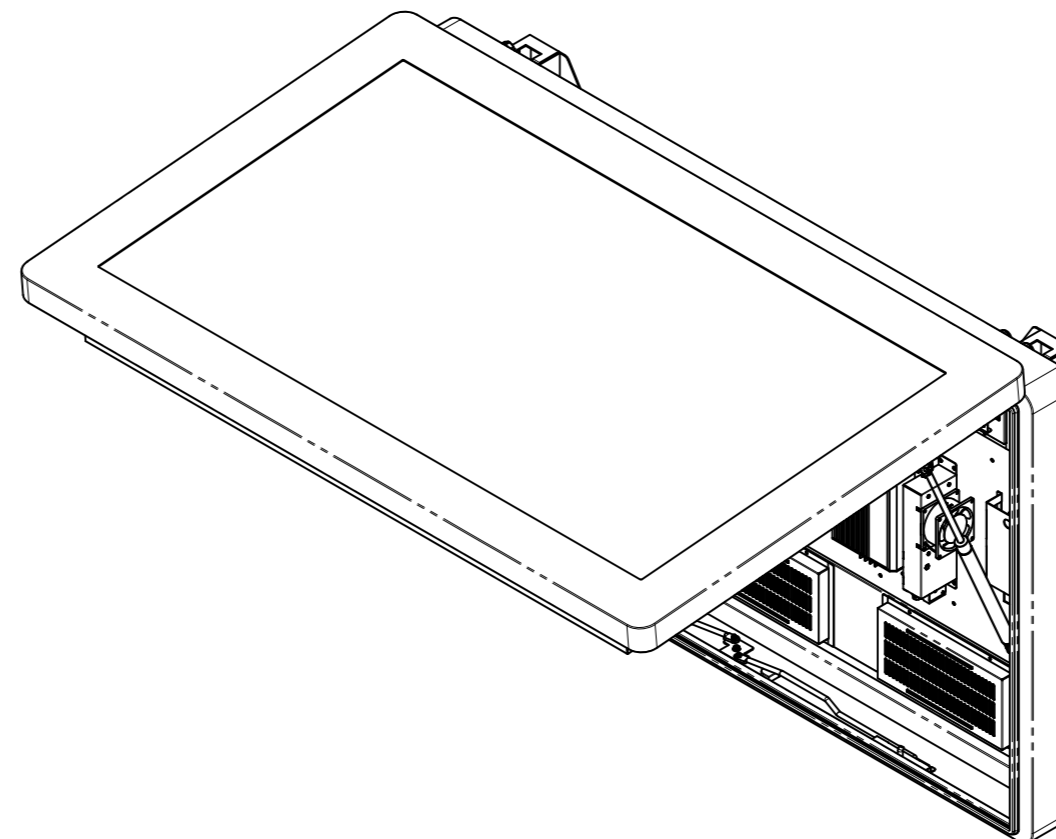
Rotate (90°)



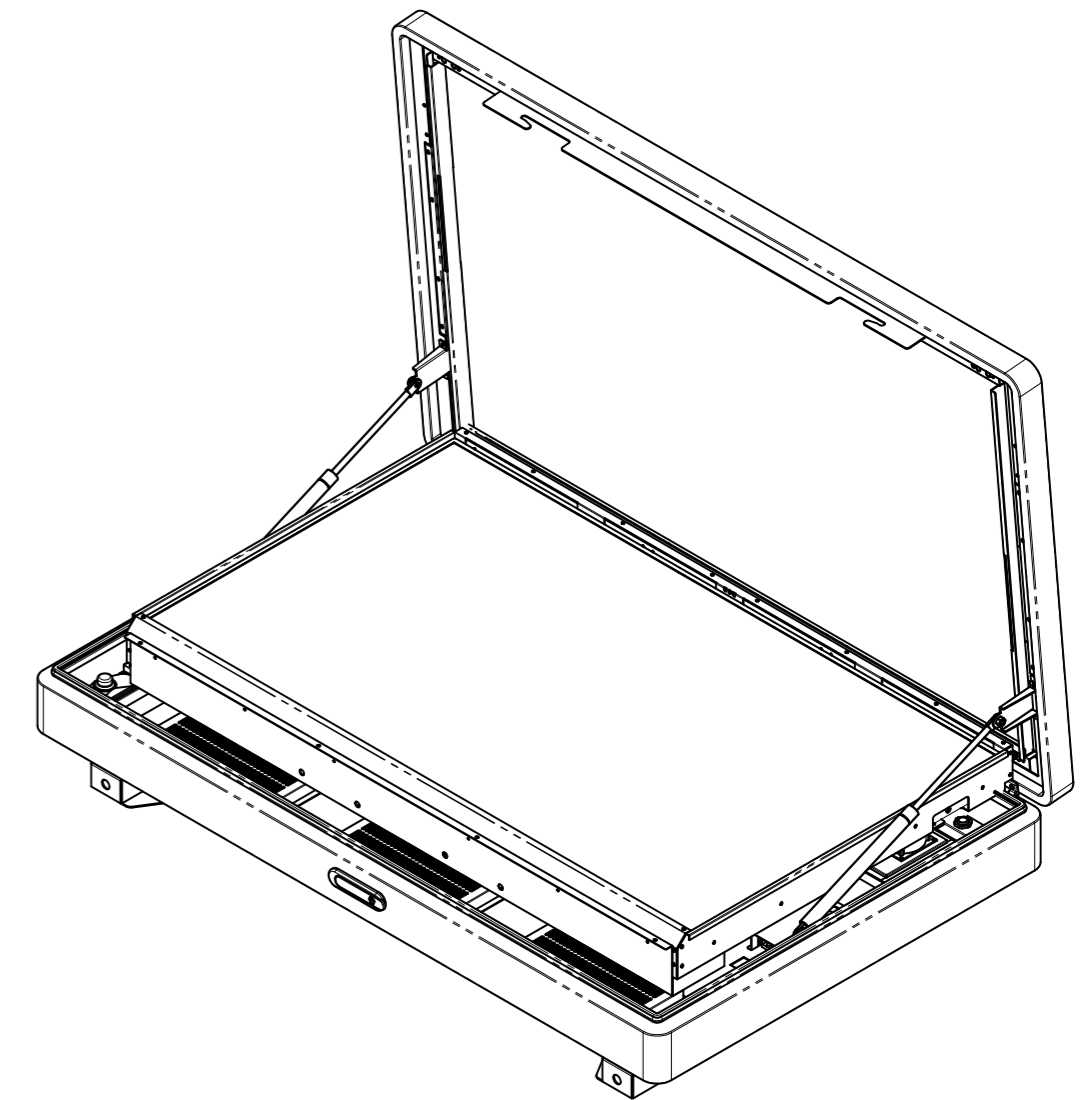
Portrait Rear View



Portrait Front View



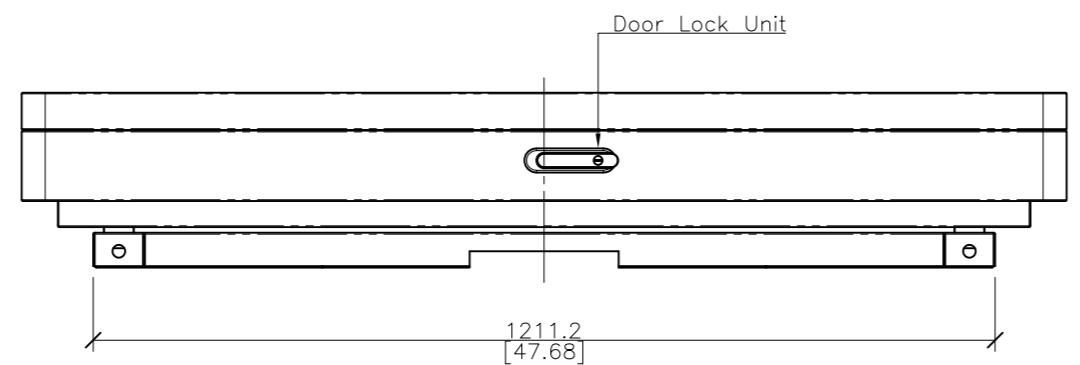
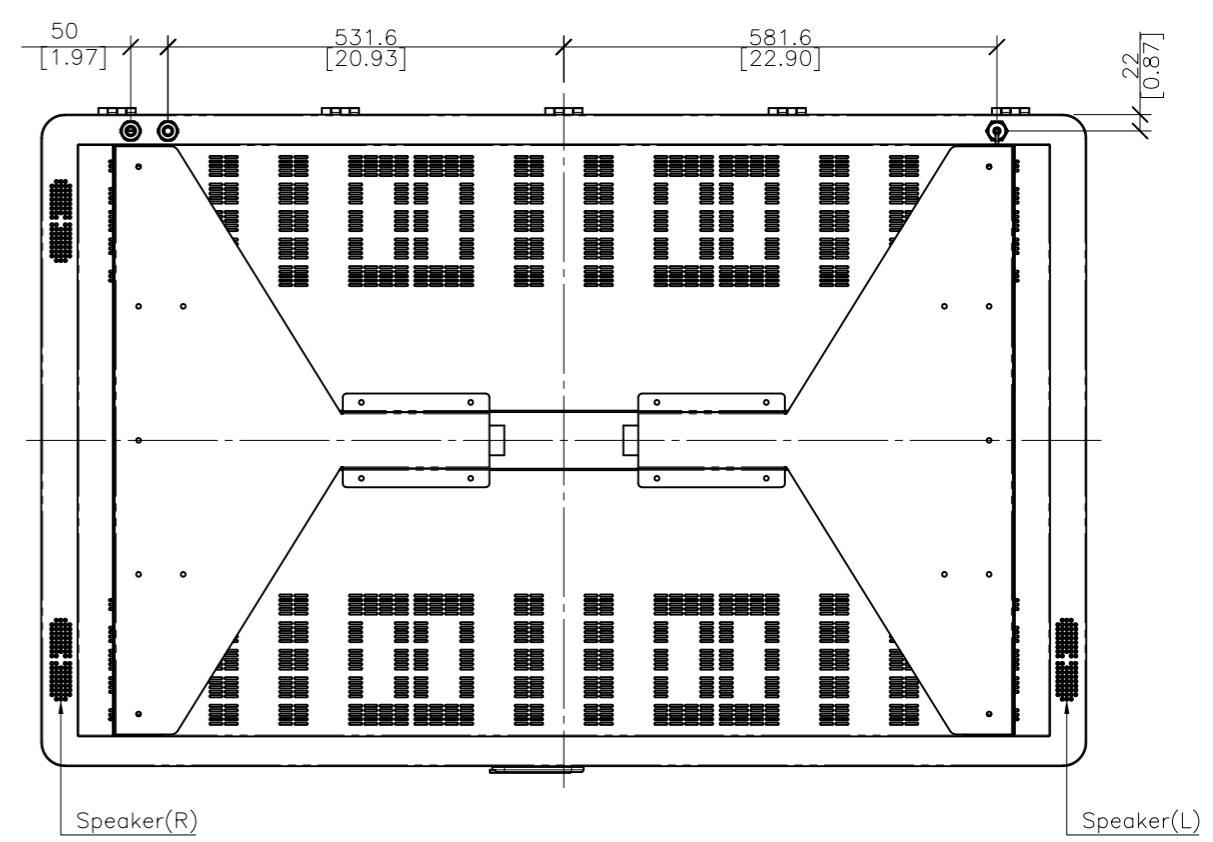
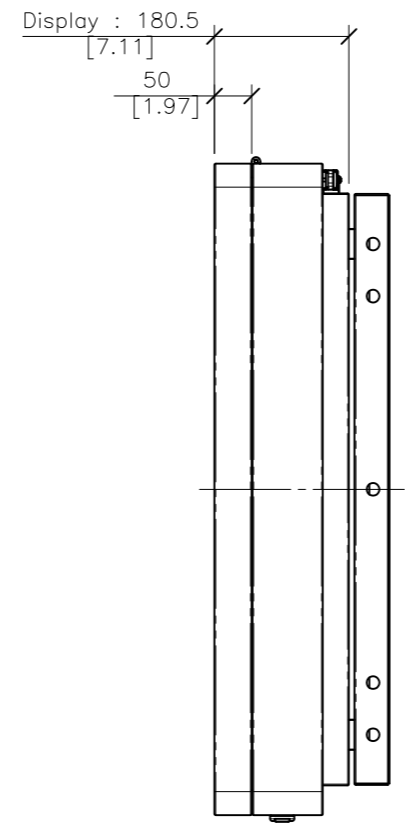
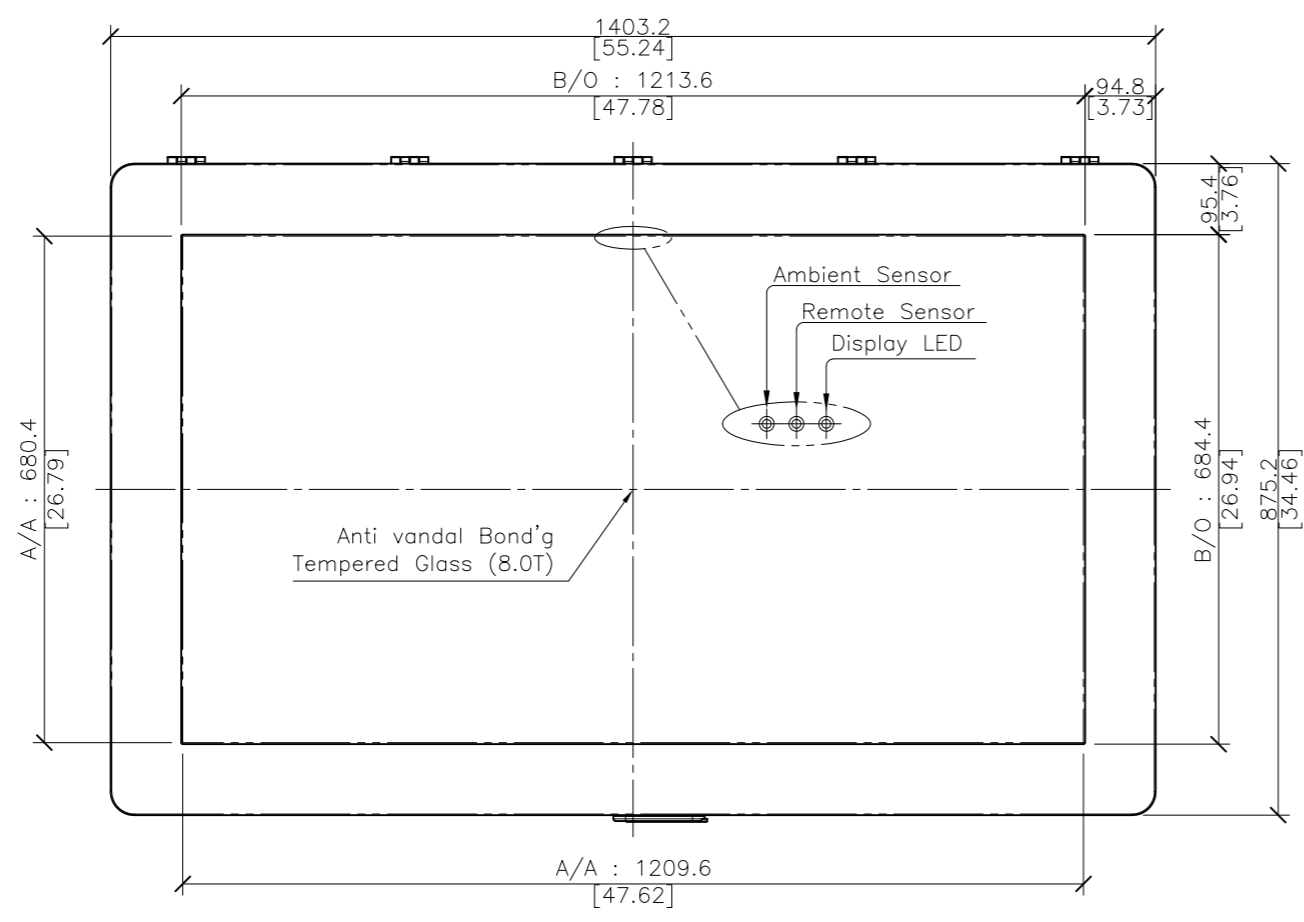
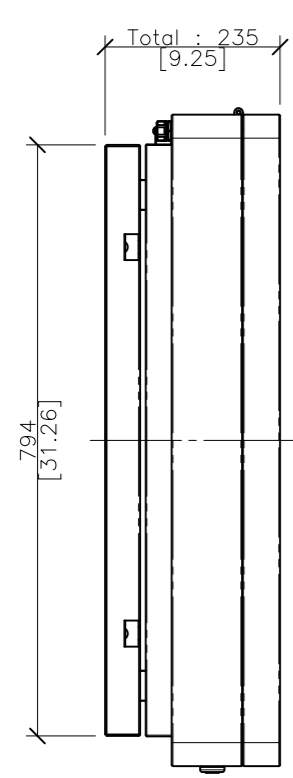
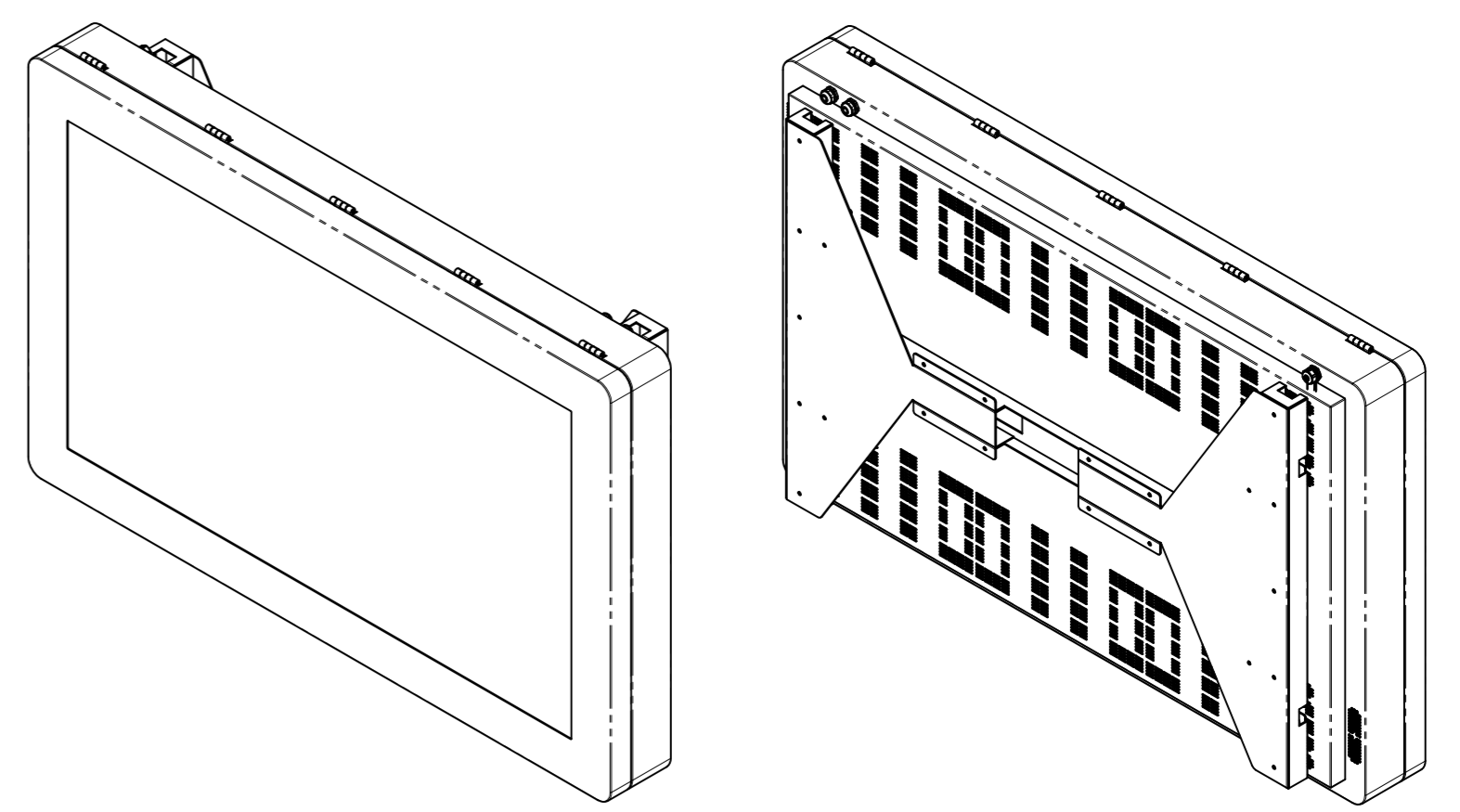
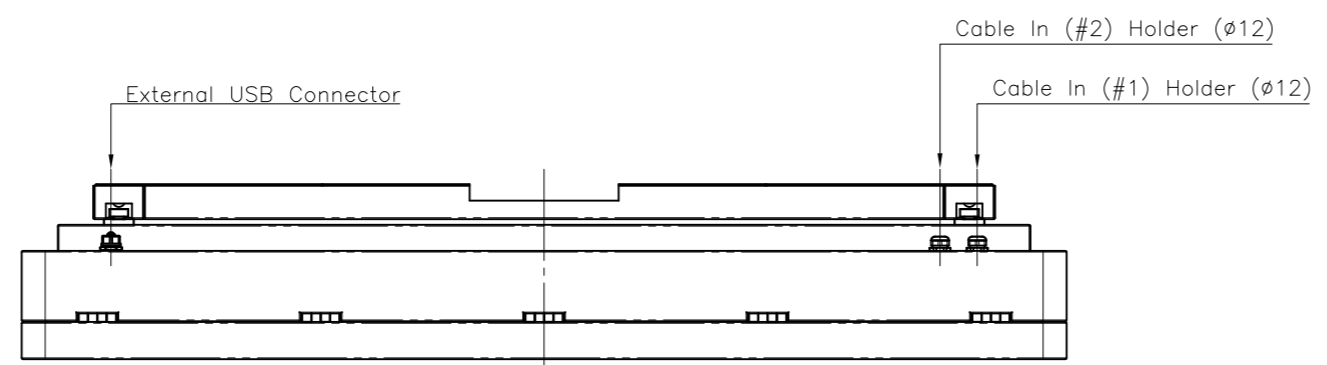
LCD Panel Open (Cleaning & Panel Repair)



This drawing is the property of HYUNDAI IT Corp. and should not be disclosed to any third party without prior permission of HYUNDAI IT Corp.

| | | | | | | | |
|-----------|-----------|-----------|--|--|-----------------|--|----------------|
| DRAWN | PLANNED | CHECKED | APPROVED | UNLESS OTHERWISE SPECIFIED ALL DIMENSION ARE IN MILLIMETERS | ANGLE: 3rd. | TITLE : H557M(LAND&PORT) EXTERIOR VIEW | UNIT : mm |
| S.W.SEO | S.H.JANG | S.H.JANG | Y.T.KIM | | SCALE : 1/10 | | TYPE : ASSY |
| '15.07.23 | '15.07.23 | '15.07.23 | '15.07.23 | TOLERANCES ARE: LINEAR : X ± 0.20 X ± 0.1 XX ± 0.01 ANGLES : ± 0.1° RADI UNLESS NOTED - R 0.3 | | | |
| | | | MODEL NAME (CODE): H557M | CUSTOMER: HDT | DWG REV : 00 | DWG(PART) NO. H557M_001 | SIZE : A2 |
| | | | FILE NAME : LAYOUT_H557M_150203.DWG | | SHT NO : 1/1 | | |

| REV. NO | | REV. HISTORY | LTR | ECO NO | DATE | APPR'L |
|---------|------|-----------------|-----|--------|------|--------|
| DWG | PART | | | | | |
| 00 | 00 | INITIAL RELEASE | - | - | - | - |



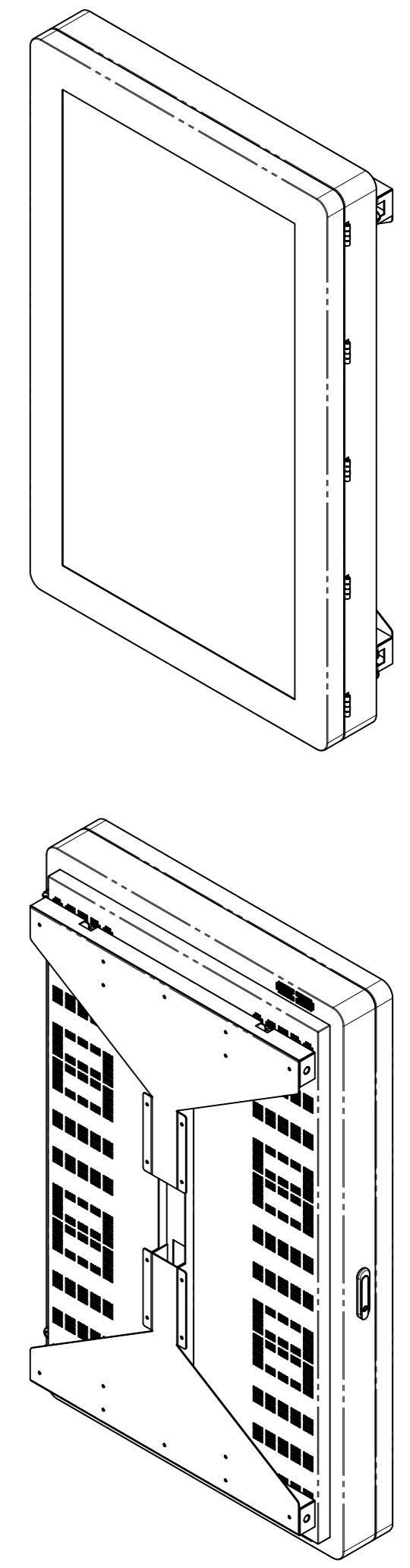
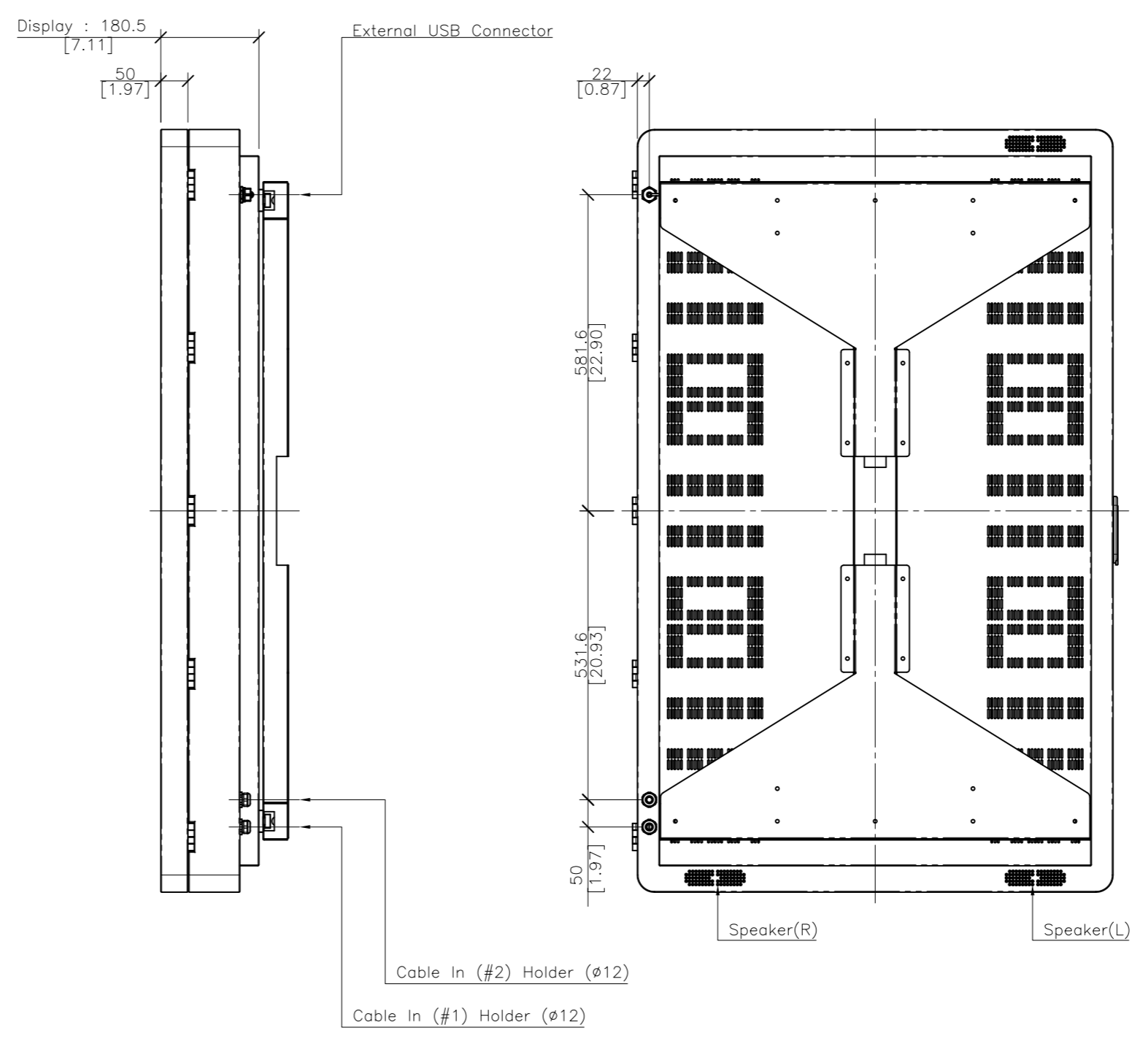
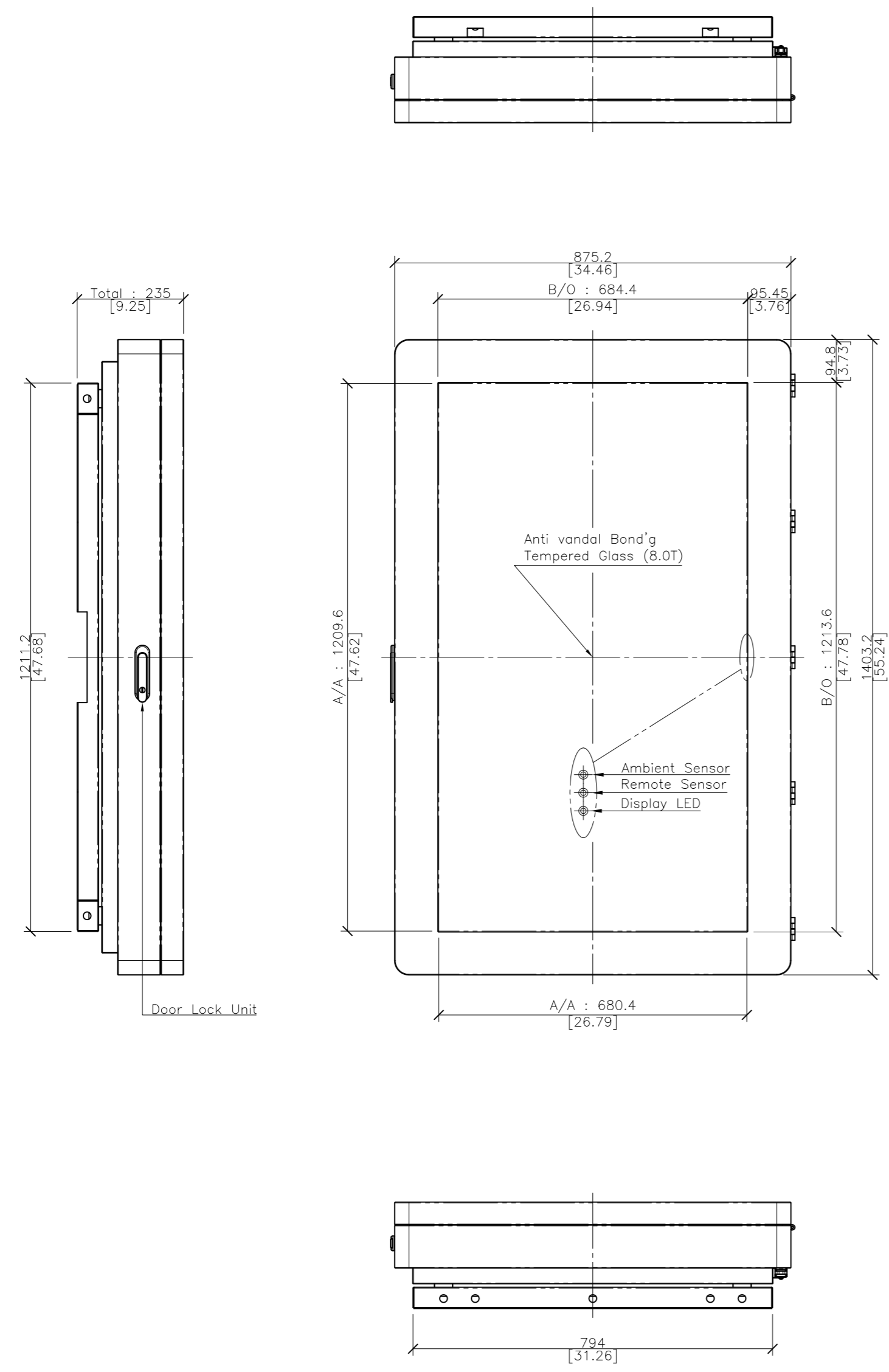
NOTES

1. LCD Panel : 55"
2. Material : E.G.I
3. Color : RAL7040
4. Tempered Glass : 8.0T (Single AR / Anti vandal Glass)
5. Net Weight : 120kg

| | | | | | | | |
|-----------|-----------|-----------|-----------|--|------------------|--|-------------------------------|
| DRAWN | PLANNED | CHECKED | APPROVED | UNLESS OTHERWISE SPECIFIED ALL DIMENSION ARE IN MILLIMETERS | ANGLE 3rd. | TITLE : H557M(LANDSCAPE) EXTERIOR VIEW | UNIT : mm |
| S.W.SEO | S.H.JANG | S.H.JANG | Y.T.KIM | | SCALE : 1/10 | | TYPE : ASSY |
| '15.07.23 | '15.07.23 | '15.07.23 | '15.07.23 | TOLERANCES ARE: LINEAR : X ± 0.20 X ± 0.1 XX ± 0.01 ANGLES : ± 0.1° RADIUS UNLESS NOTED : R 0.3 | | | |
| | | | | MODEL NAME (CODE): H557M | CUSTOMER: HDT | DWG REV : 00 | DWG(PART) NO. H557M_002_01 |
| | | | | FILE NAME : LAYOUT_H557M_150203.DWG | | SHT NO : 1/1 | SIZE : A2 |

This drawing is the property of HYUNDAI IT Corp. and should not be disclosed to any third party without prior permission of HYUNDAI IT Corp..

| REV. NO | | REV. HISTORY | LTR | ECO NO | DATE | APPR'L |
|---------|------|-----------------|-----|--------|------|--------|
| DWG | PART | | | | | |
| 00 | 00 | INITIAL RELEASE | - | - | - | - |



NOTES

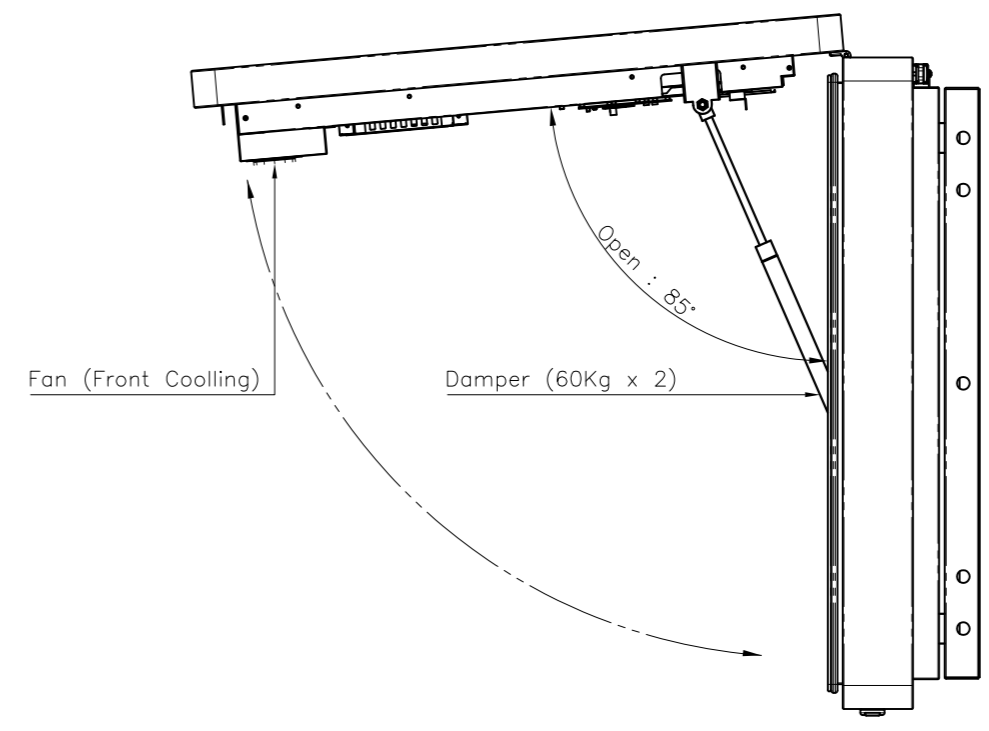
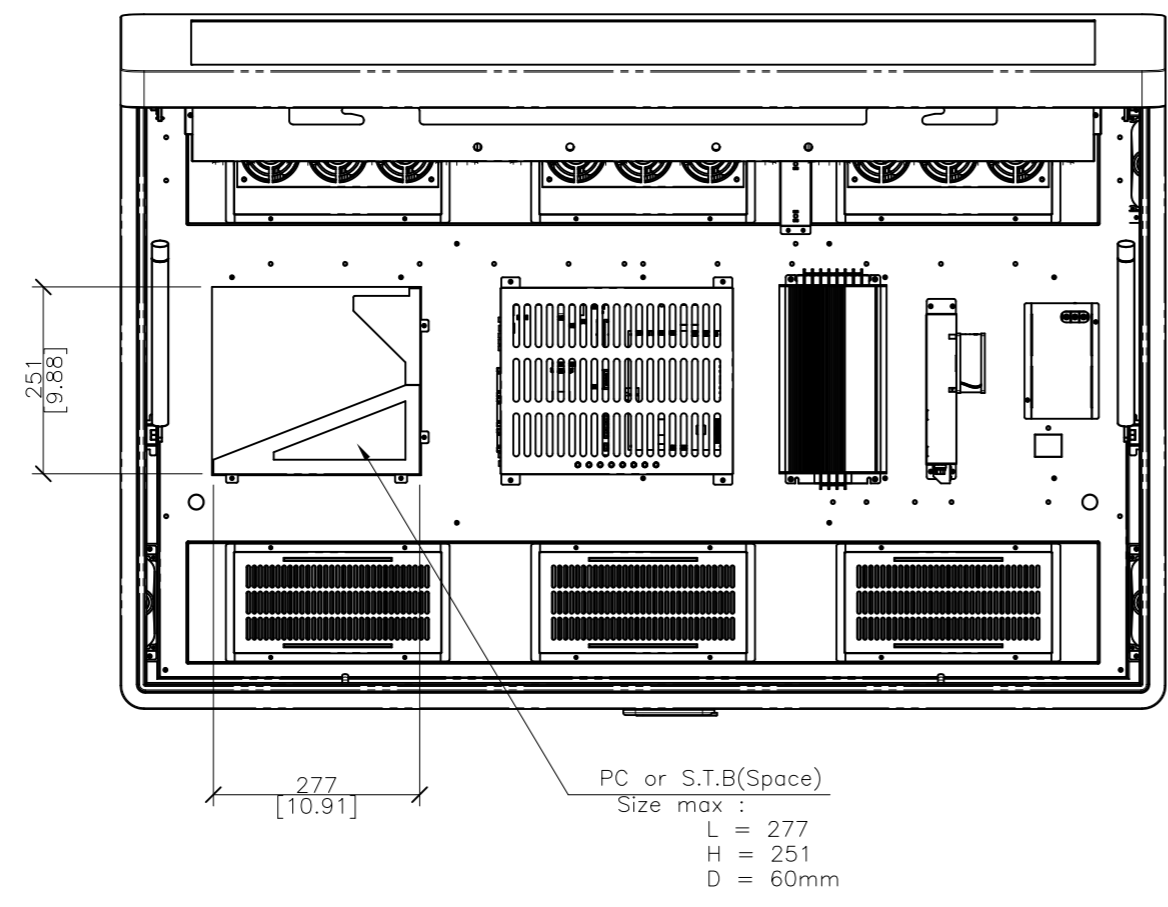
1. LCD Panel : 55"
2. Material : E.G.I
3. Color : RAL7040
4. Tempered Glass : 8.0T (Single AR / Anti vandal Glass)
5. Net Weight : 120kg

| | | | | | | | |
|-----------|-----------|-----------|-----------|--|---|--|-----------------|
| DRAWN | PLANNED | CHECKED | APPROVED | UNLESS OTHERWISE SPECIFIED ALL DIMENSION ARE IN MILLIMETERS | ANGLE 3rd. | TITLE : H557M(PORTAIT) EXTERIOR VIEW | UNIT : mm |
| S.W.SEO | S.H.JANG | S.H.JANG | Y.T.KIM | | TOLERANCES ARE: LINEAR : X ± 0.20 X ± 0.1 XX ± 0.01 ANGLES : ± 0.1° RADIH UNLESS NOTED : R 0.3 | | SCALE : 1/10 |
| '15.07.23 | '15.07.23 | '15.07.23 | '15.07.23 | | | DWG(PART) NO. H557M_002_02 | SIZE : A2 |
| | | | | MODEL NAME (CODE): H557M | CUSTOMER: HDT | | DWG REV : 00 |
| | | | | FILE NAME : LAYOUT_H557M_150203.DWG | | | |

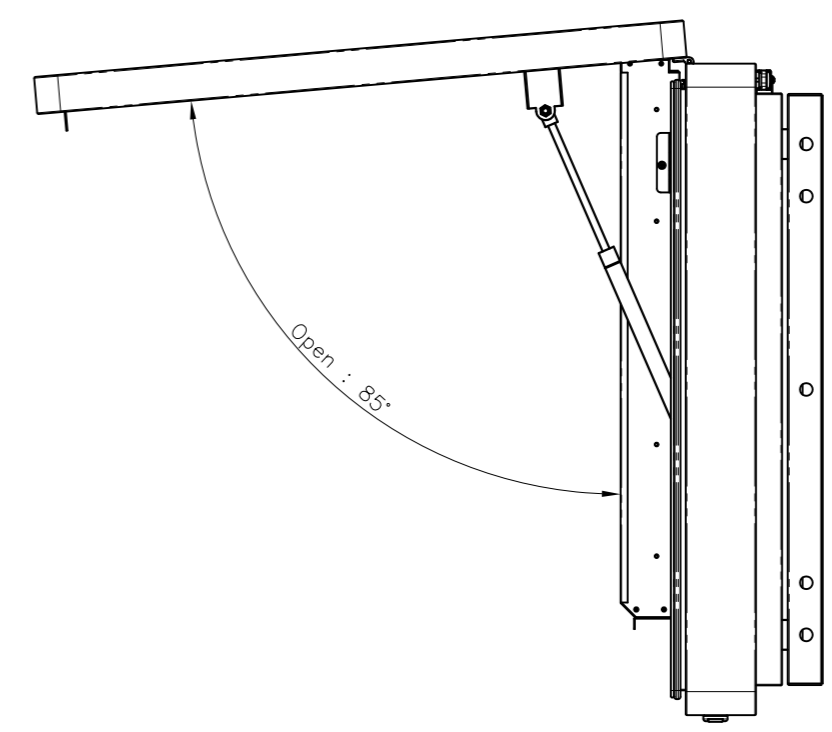
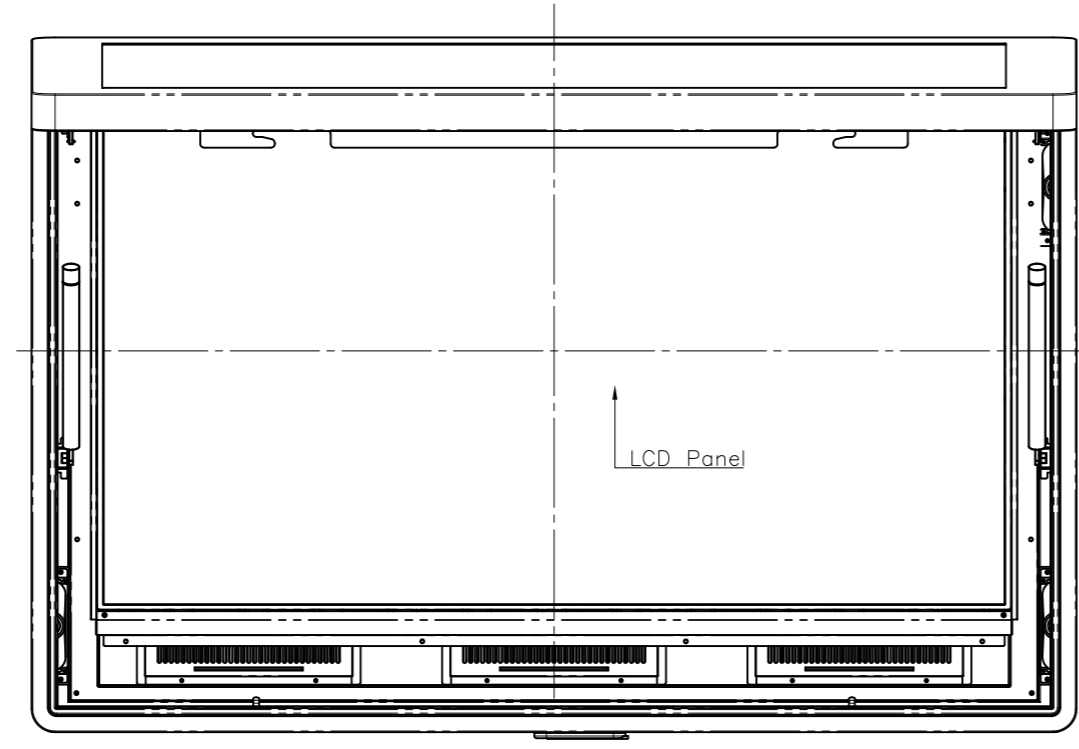
This drawing is the property of HYUNDAI IT Corp. and should not be disclosed to any third party without prior permission of HYUNDAI IT Corp..

| REV. NO | | REV. HISTORY | LTR | ECO NO | DATE | APPR'L |
|---------|------|-----------------|-----|--------|------|--------|
| DWG | PART | | | | | |
| 00 | 00 | INITIAL RELEASE | - | - | - | - |

Front Open (Cover & LCD Panel)



LCD Open (Cleaning & Panel Repair)



This drawing is the property of HYUNDAI IT Corp. and should not be disclosed to any third party without prior permission of HYUNDAI IT Corp..

| | | | | | | | |
|-----------|-----------|-----------|--|---|-----------------|---|----------------|
| DRAWN | PLANNED | CHECKED | APPROVED | UNLESS OTHERWISE SPECIFIED ALL DIMENSION ARE IN MILLIMETERS | ANGLE 3rd. | TITLE : H557M(OPEN) EXTERIOR VIEW | UNIT : mm |
| S.W.SEO | S.H.JANG | S.H.JANG | Y.T.KIM | | SCALE : 1/10 | | TYPE : ASSY |
| '15.07.23 | '15.07.23 | '15.07.23 | '15.07.23 | TOLERANCES ARE : LINEAR : X ± 0.20 X ± 0.1 XX ± 0.01 ANGLES : ± 0.1° RADI UNLESS NOTED : R 0.3 | | | |
| | | | MODEL NAME (CODE): H557M | CUSTOMER: HDT | DWG REV : 00 | DWG(PART) NO. H557M_003 | SIZE : A2 |
| | | | FILE NAME : LAYOUT_H557M_150203.DWG | | SHT NO : 1/1 | | |