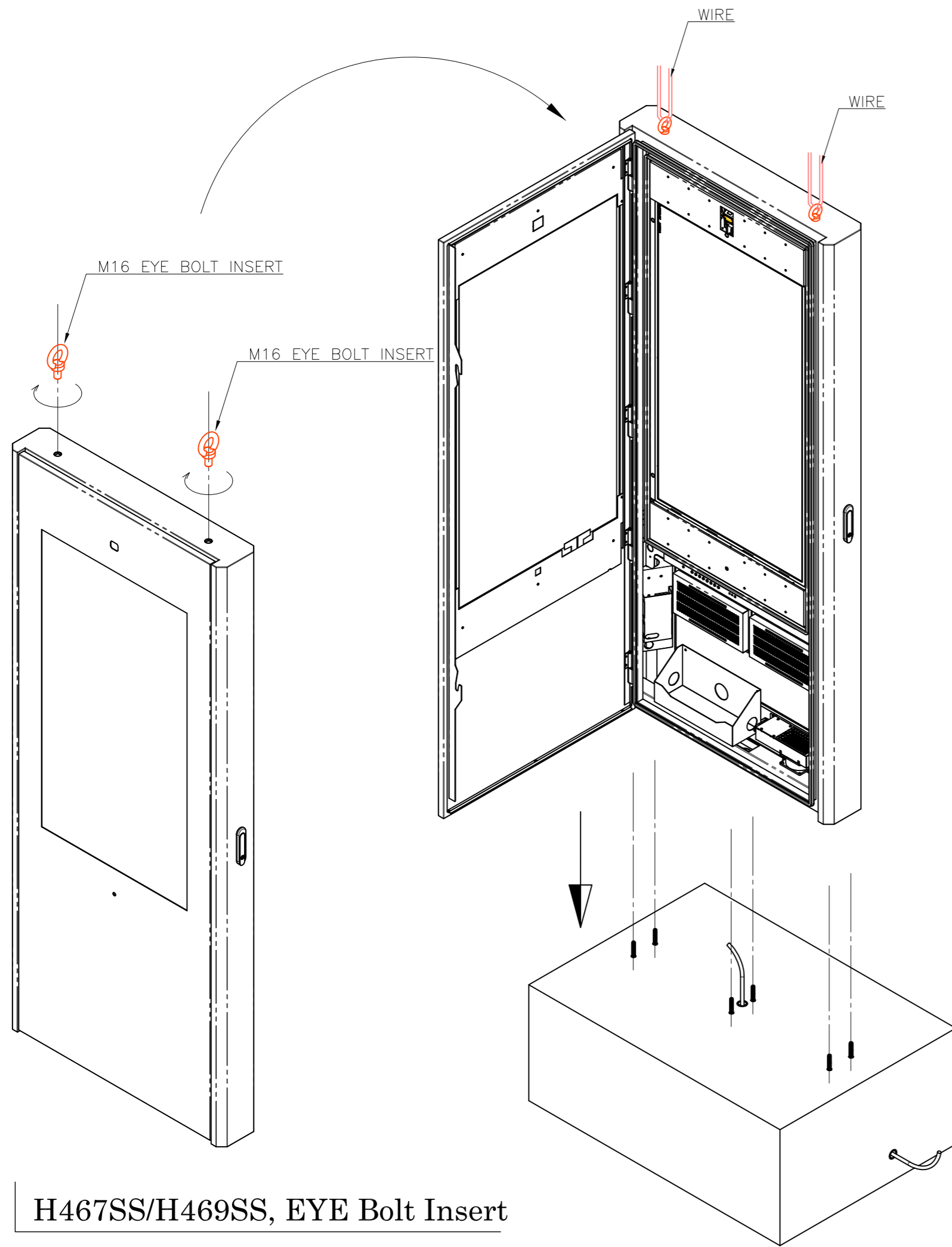
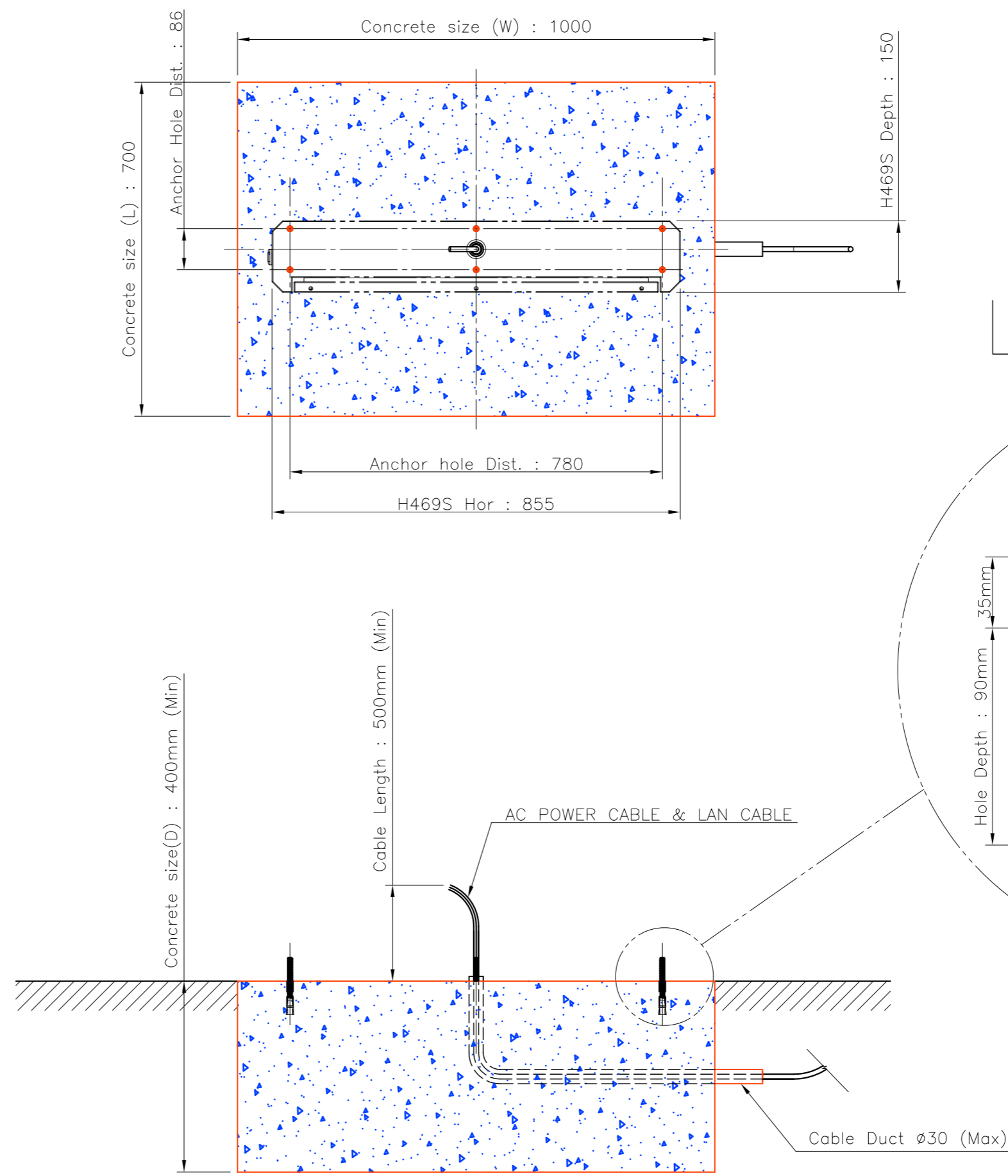


# H467SS/H469SS, Install Guide (EYE Bolt & Foundation Block Size)

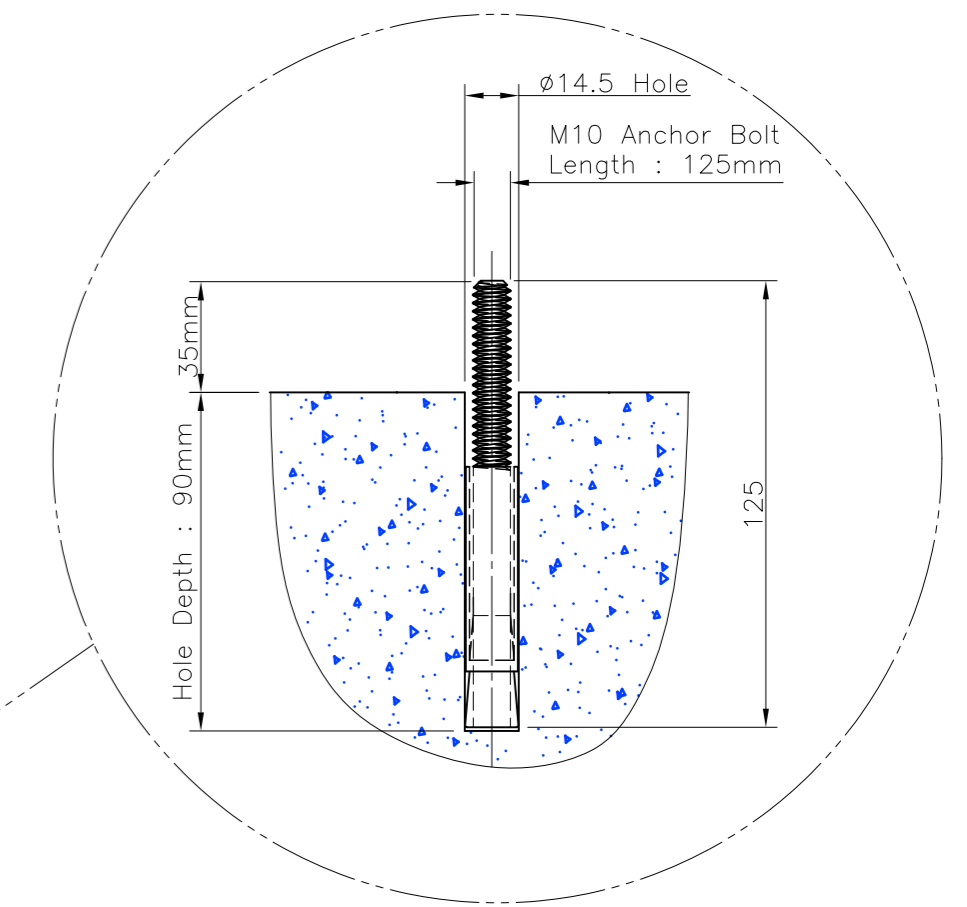
## Display Install Direction



## Concrete Dimension (Min)



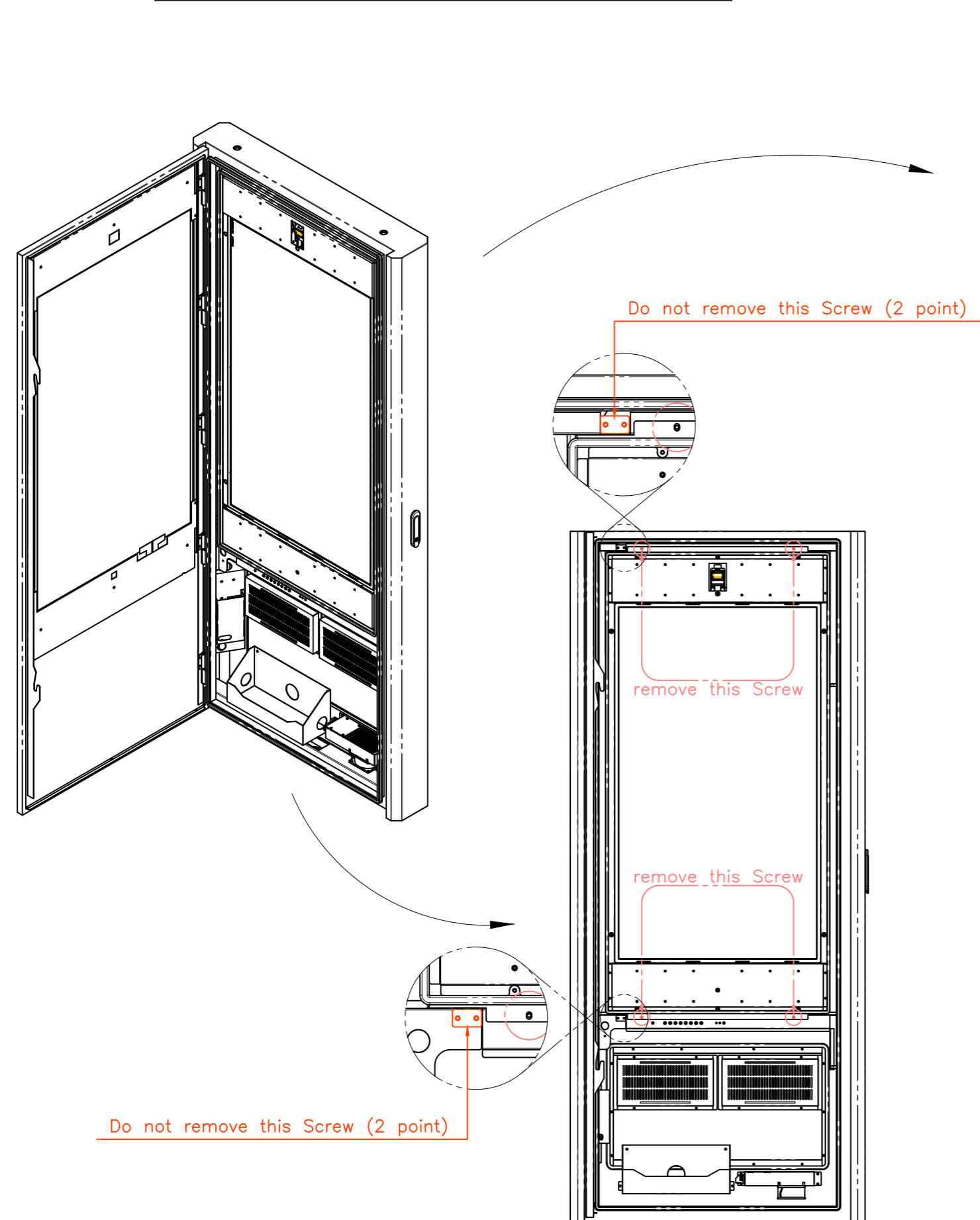
## Anchor Bolt & Hole Size



## H467SS/H469SS, EYE Bolt Insert

Caution) After installing the display, remove the eye bolts and Fit the waterproof rubber cap to its original position.

Front Door Open & Remove Screw

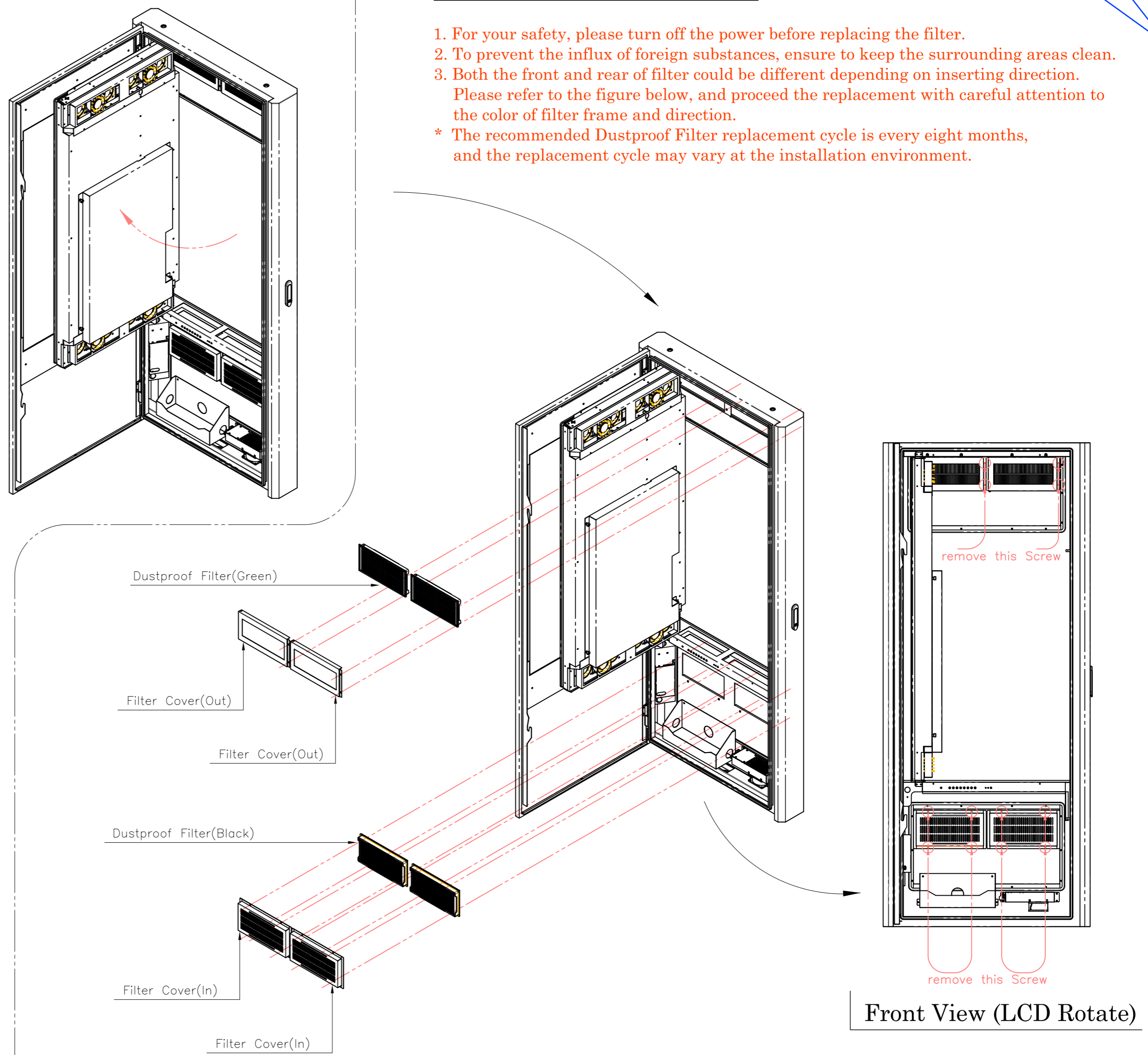


Front View (Door open)

Caution) Do not remove the absolute screw the hinge portion of the LCD Panel

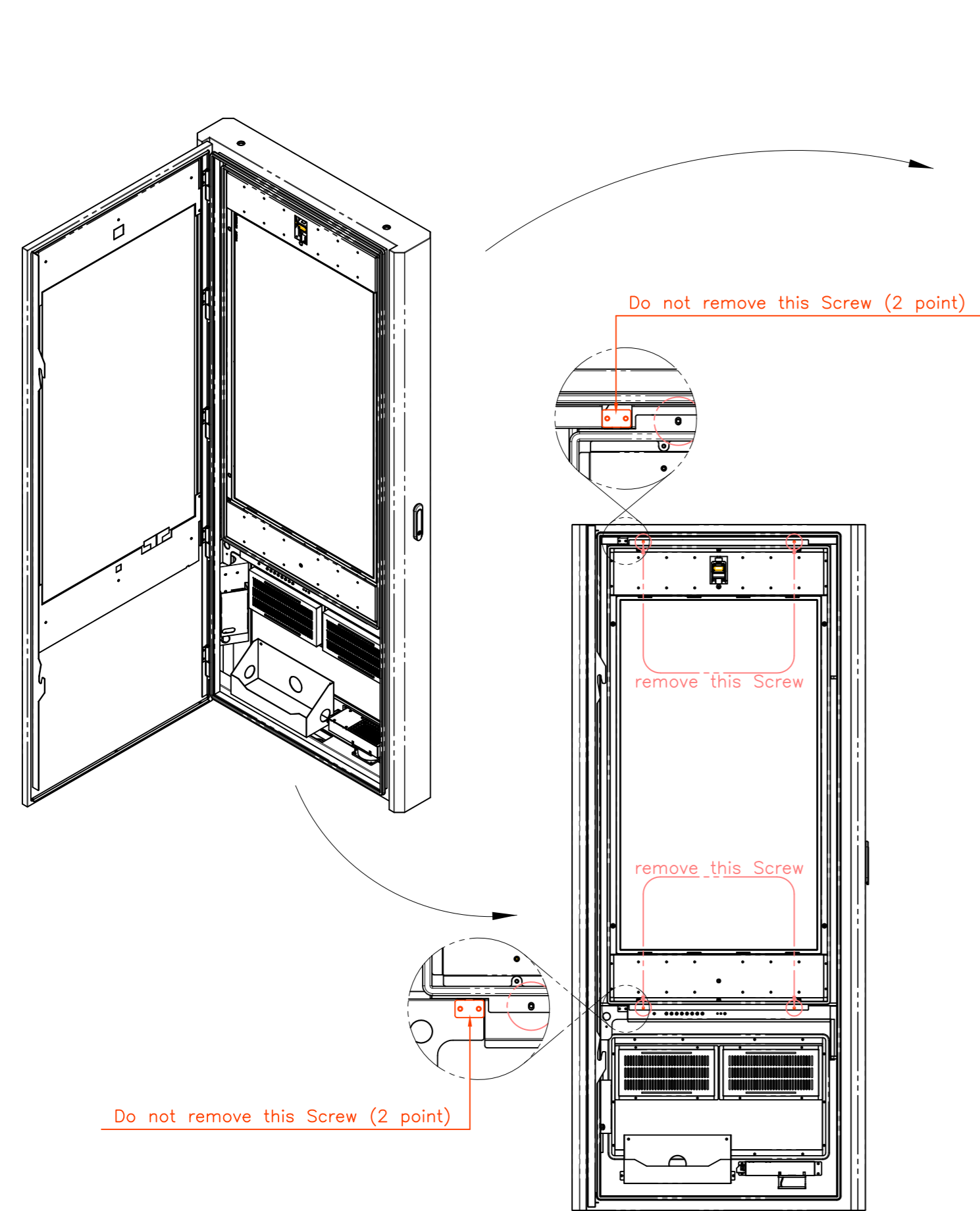
Dustproof Filter Exchange

1. For your safety, please turn off the power before replacing the filter.
  2. To prevent the influx of foreign substances, ensure to keep the surrounding areas clean.
  3. Both the front and rear of filter could be different depending on inserting direction.  
Please refer to the figure below, and proceed the replacement with careful attention to the color of filter frame and direction.
- \* The recommended Dustproof Filter replacement cycle is every eight months, and the replacement cycle may vary at the installation environment.



# H467SS/H469SS/H557SS, LCD Panel Exchange & Board Repair

## Front Door Open & Remove Screw



Front View (Door open)

Caution) Do not remove the absolute screw the hinge portion of the LCD Panel

## LCD Panel Exchange & Repair

