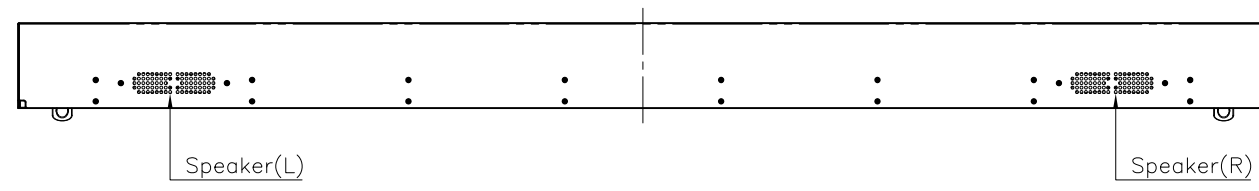
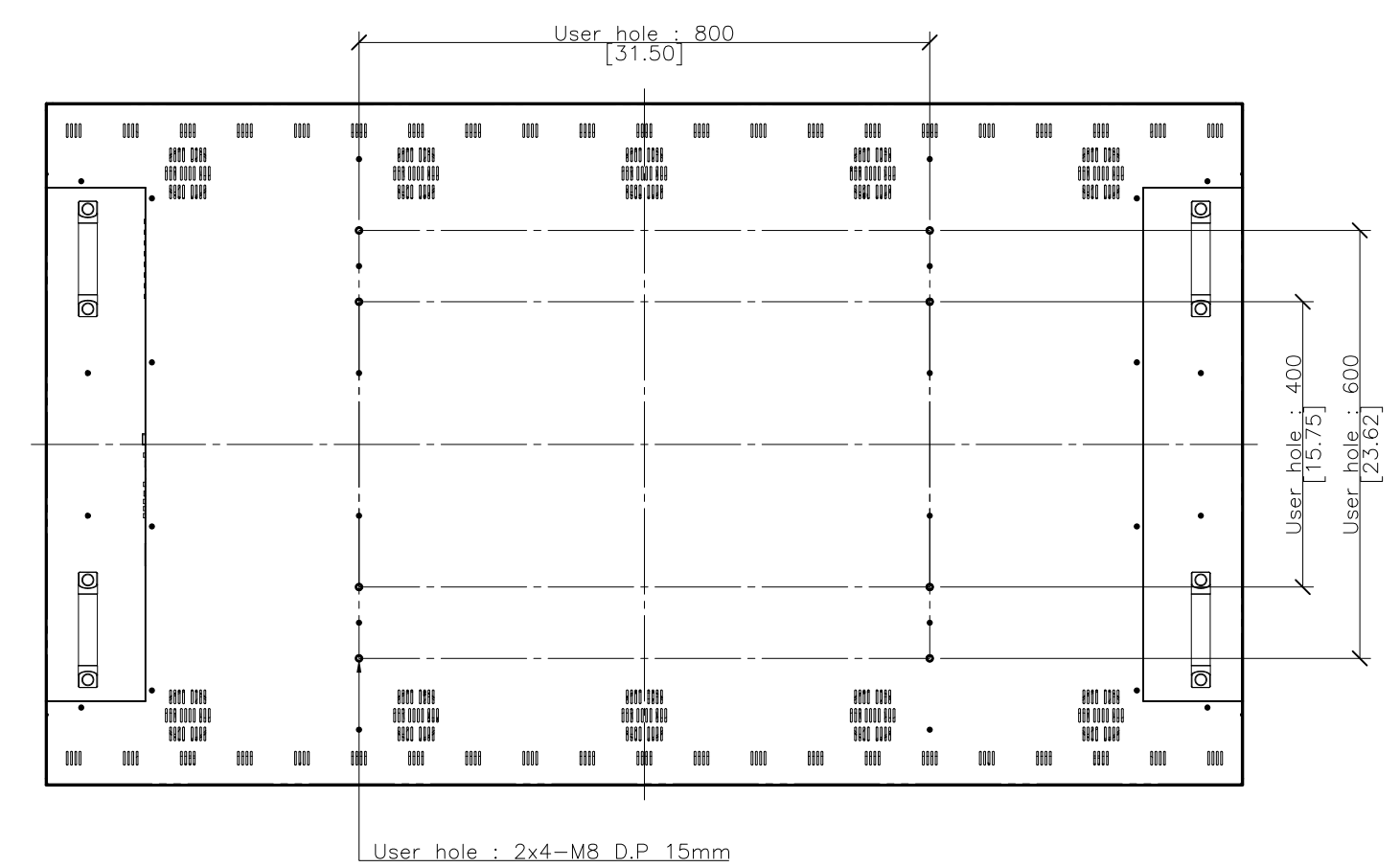
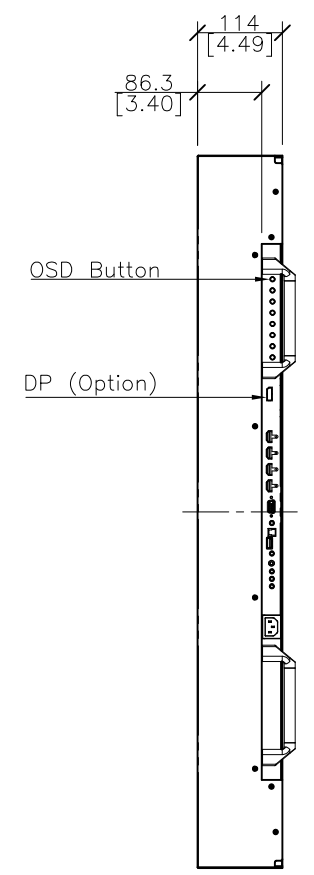
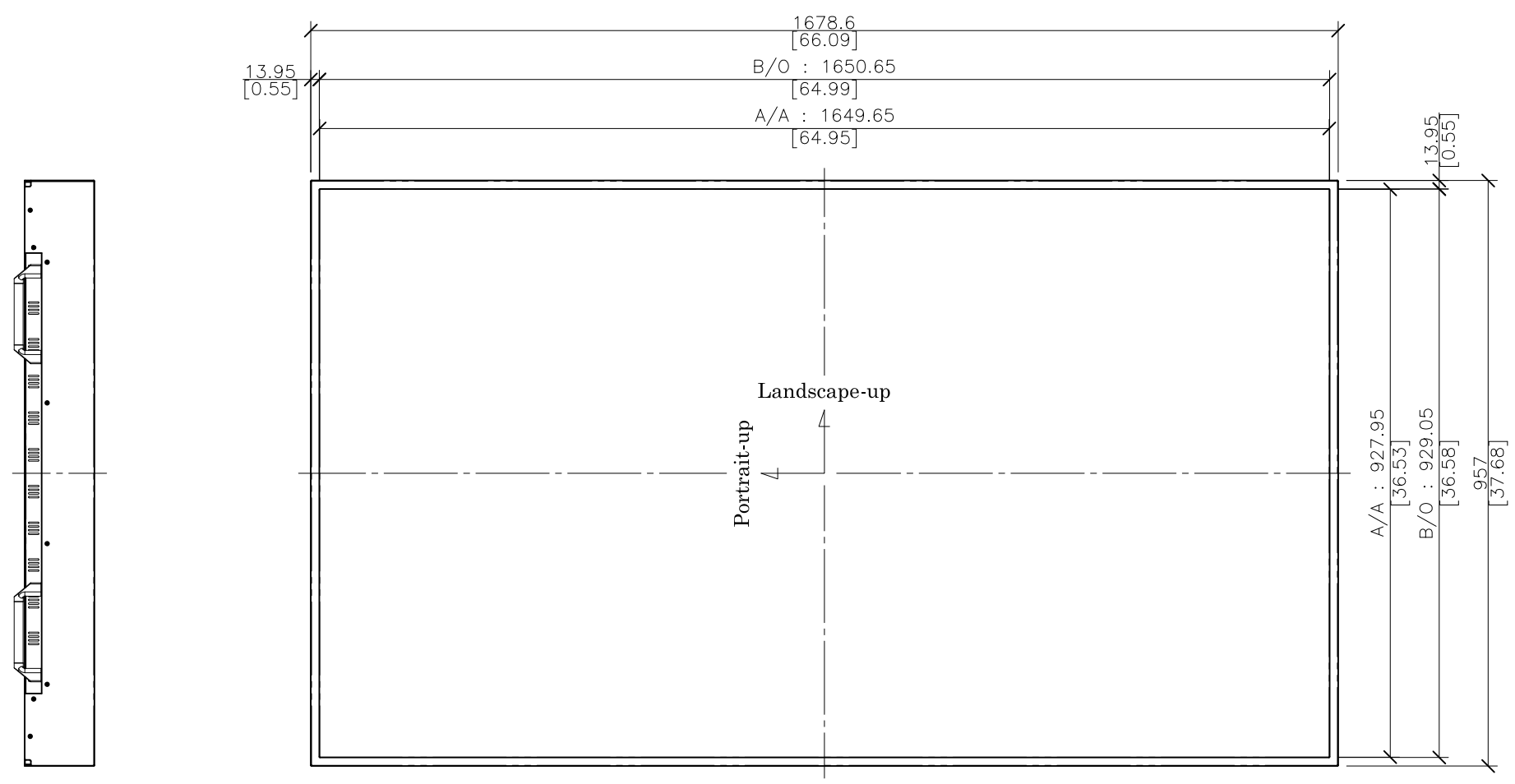
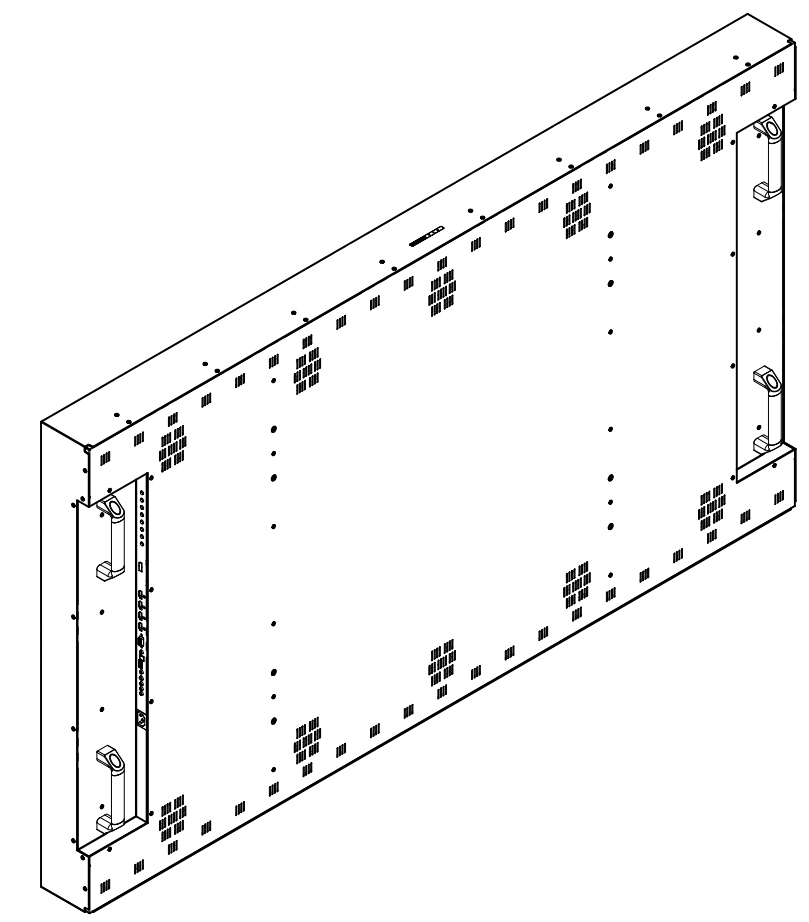
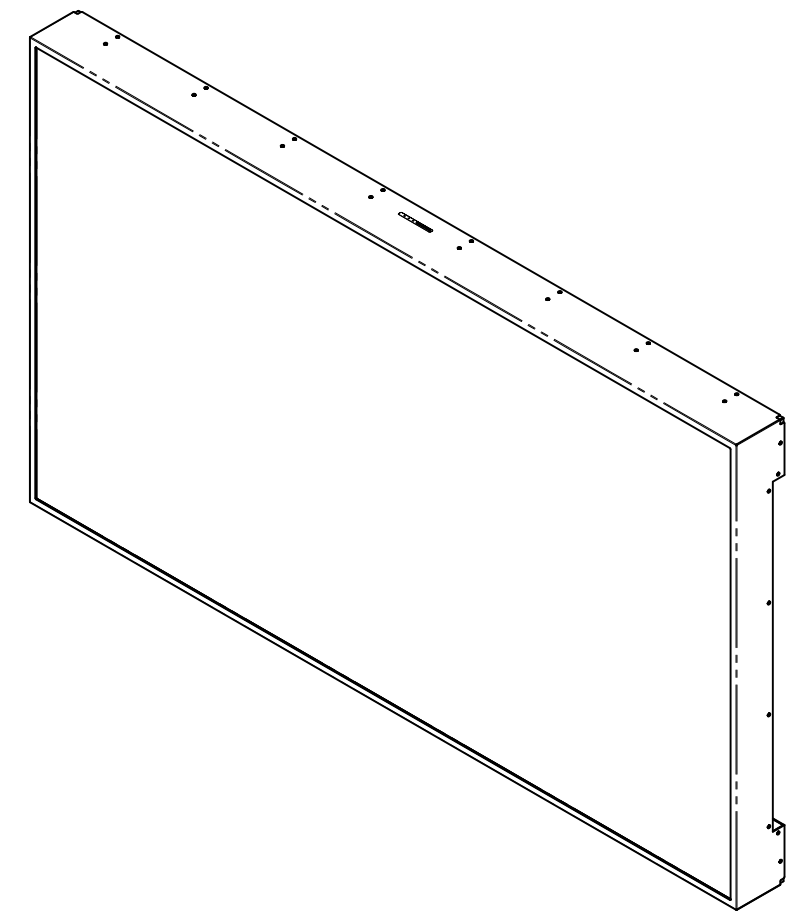
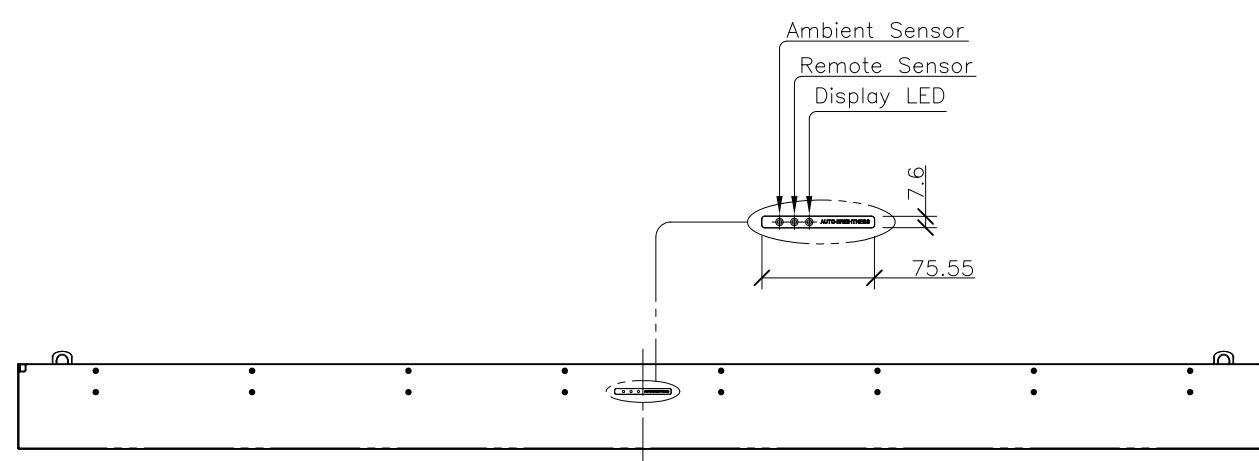


REV. NO		REV. HISTORY	LTR	ECO NO	DATE	APPR'L
DWG	PART					
00	00	INITIAL RELEASE	-	-	-	-



- NOTES.**
1. LCD Panel : 75"
 2. Material : E.G.I
 3. Color : Black

DRAWN	PLANNED	CHECKED	APPROVED	UNLESS OTHERWISE SPECIFIED ALL DIMENSION ARE IN MILLIMETERS	ANGLE 3rd.	TITLE : D757MN EXTERIOR VIEW	UNIT : mm
S.W.SEO	S.H.JANG	S.H.JANG	Y.T.KIM		TOLERANCES ARE: LINEAR : X ± 0.20 X ± 0.1 XX ± 0.01 ANGLES : ± 0.1° RADII UNLESS NOTED : R 0.3		SCALE : 1/10
'17.06.09	'17.06.09	'17.06.09	'17.06.09	MODEL NAME (CODE): D757MN	CUSTOMER: HDT	DWG REV : 00	DWG(PART) NO. D757MN_001
HYUNDAI IT CO., LTD.				FILE NAME : LAYOUT_D757MN_LGD_170609.DWG	SHT NO : 1/1		SIZE : A2