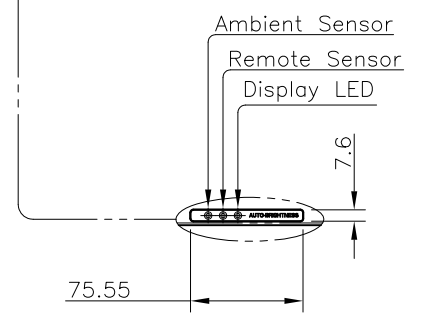
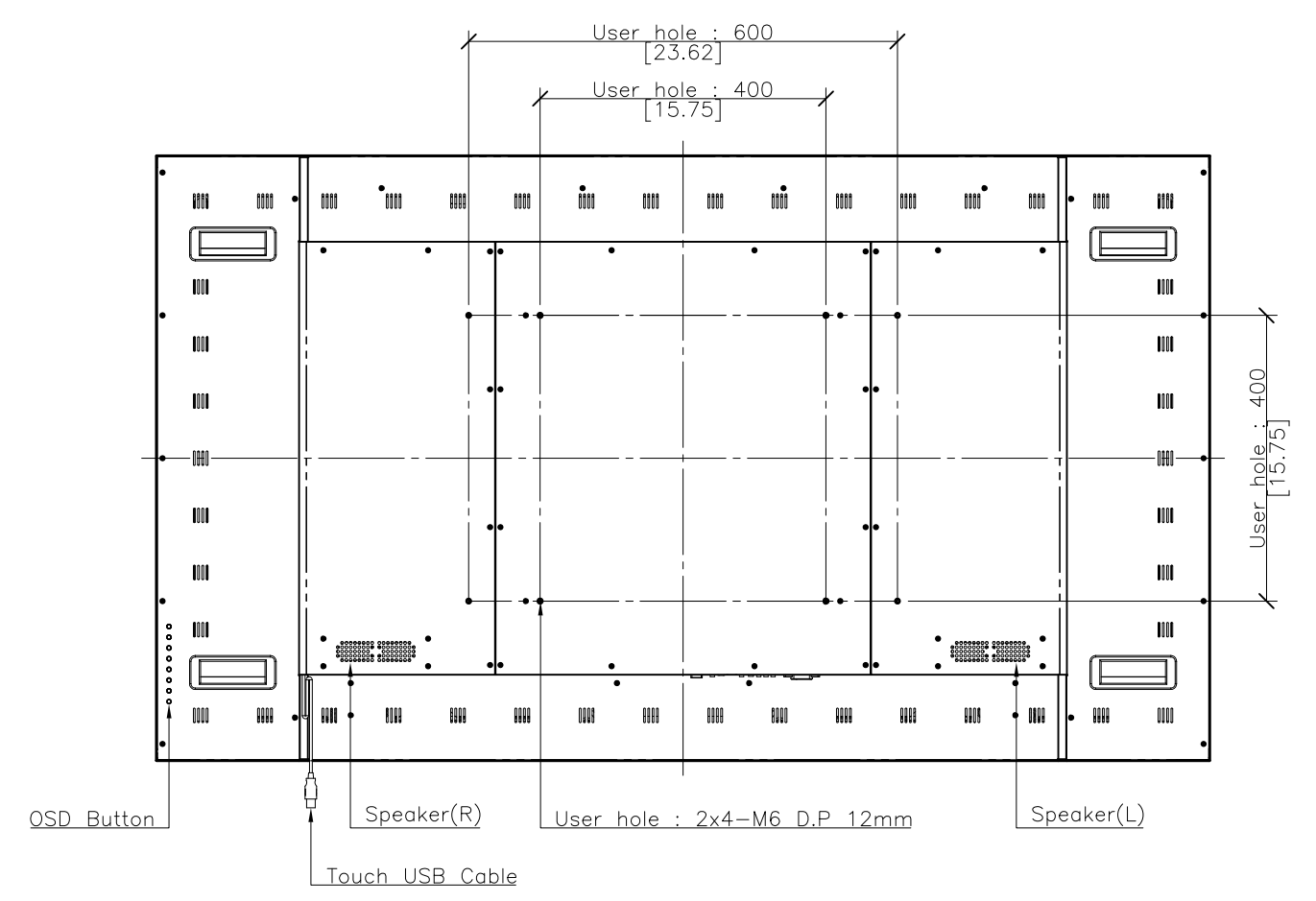
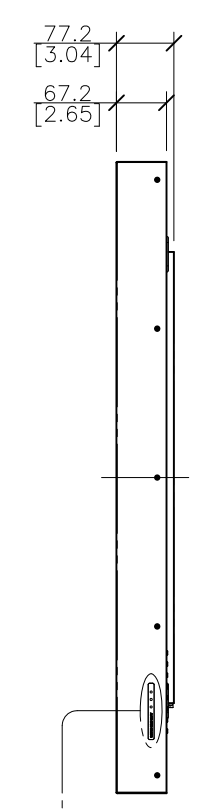
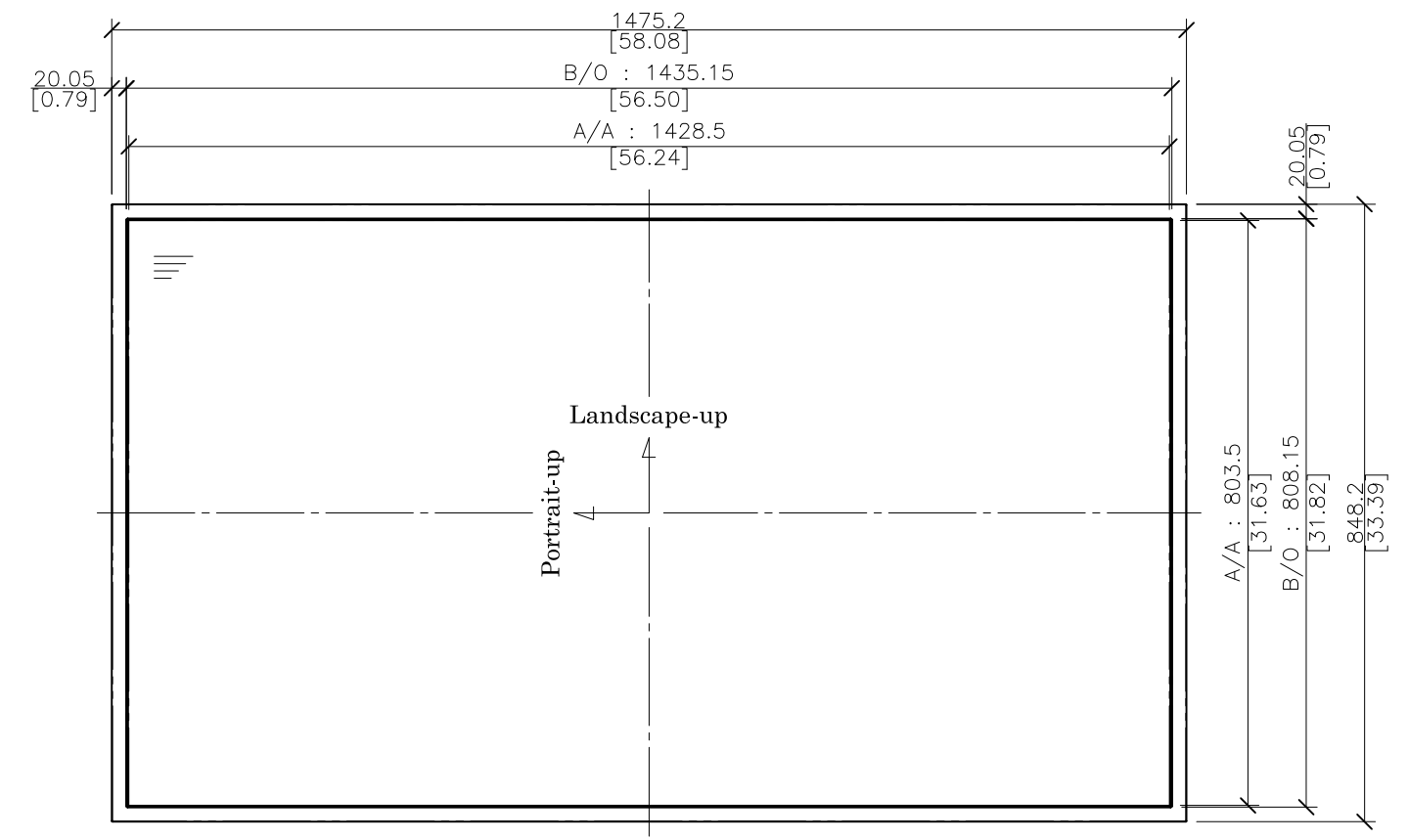
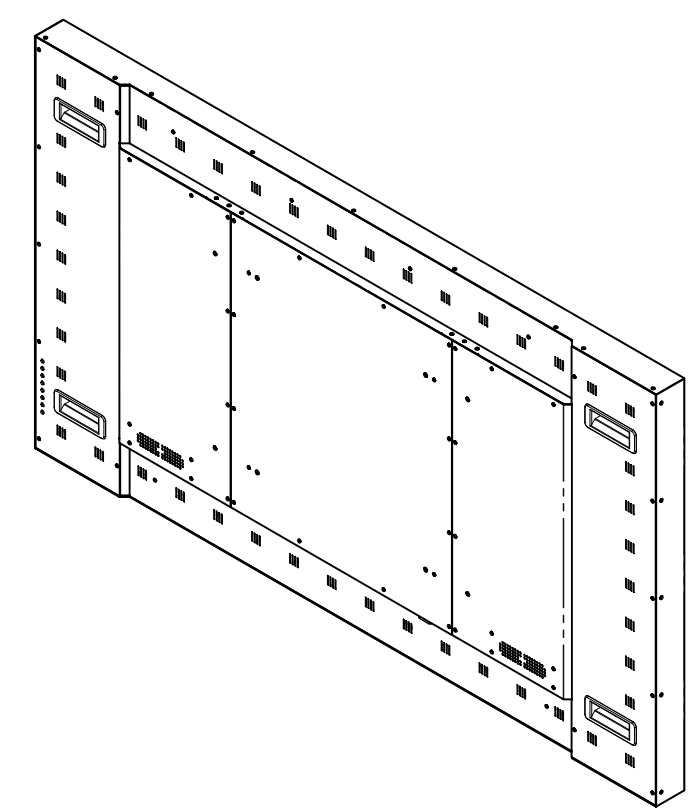
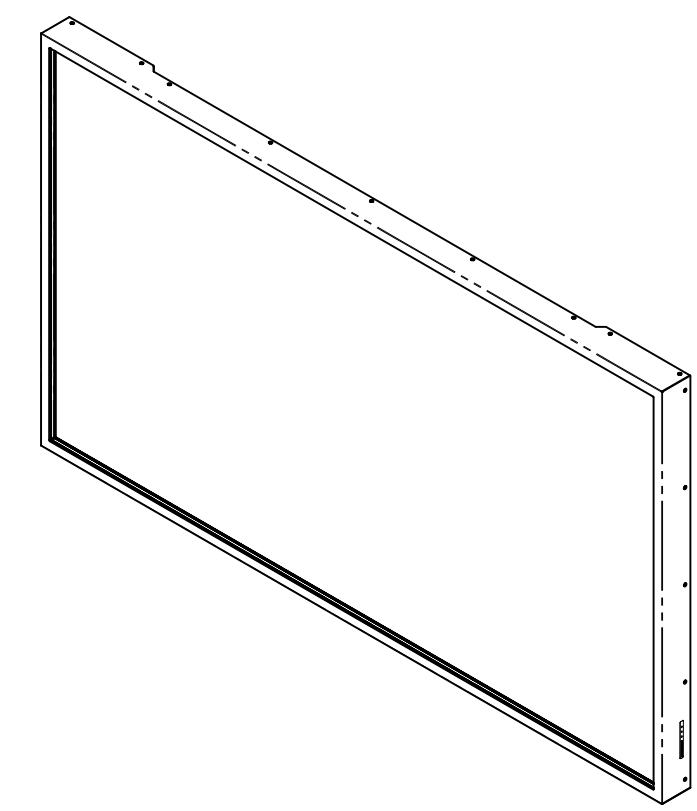
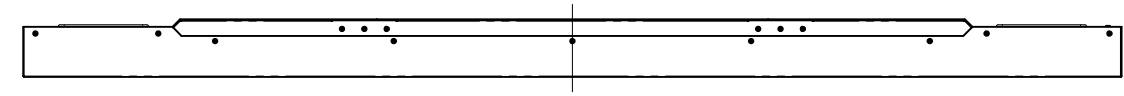


REV. NO		REV. HISTORY	LTR	ECO NO	DATE	APPR'L
DWG	PART					
00	00	INITIAL RELEASE	-	-	-	-



- NOTES**
1. LCD Panel : 65"
 2. Tempered Glass : 5.0T
 3. Material : E.G.I
 4. Color : Black

DRAWN	PLANNED	CHECKED	APPROVED	UNLESS OTHERWISE SPECIFIED ALL DIMENSION ARE IN MILLIMETERS TOLERANCES ARE: LINEAR : X ± 0.20 X ± 0.1 XX ± 0.01 ANGLES : ± 0.1° RADI UNLESS NOTED : R 0.3	ANGLE 3rd.	TITLE : D65XMNI EXTERIOR VIEW	UNIT : mm
S.W.SEO	S.H.JANG	S.H.JANG	Y.T.KIM		SCALE : 1/10		TYPE : PART
'17.06.13	'17.06.13	'17.06.13	'17.06.13	MODEL NAME (CODE): D65XMNI	CUSTOMER: HDT	DWG REV : 00	SIZE : A2
HYUNDAI IT CO.,LTD.				FILE NAME : LAYOUT_D65XMNI_170613.DWG	DWG REV : 00	DWG(PART) NO. D65XMNI_001	
				SHT NO : 1/1			

This drawing is the property of HYUNDAI IT CO.,LTD. and should not be disclosed to any third party without prior permission of HYUNDAI IT CO.,LTD..