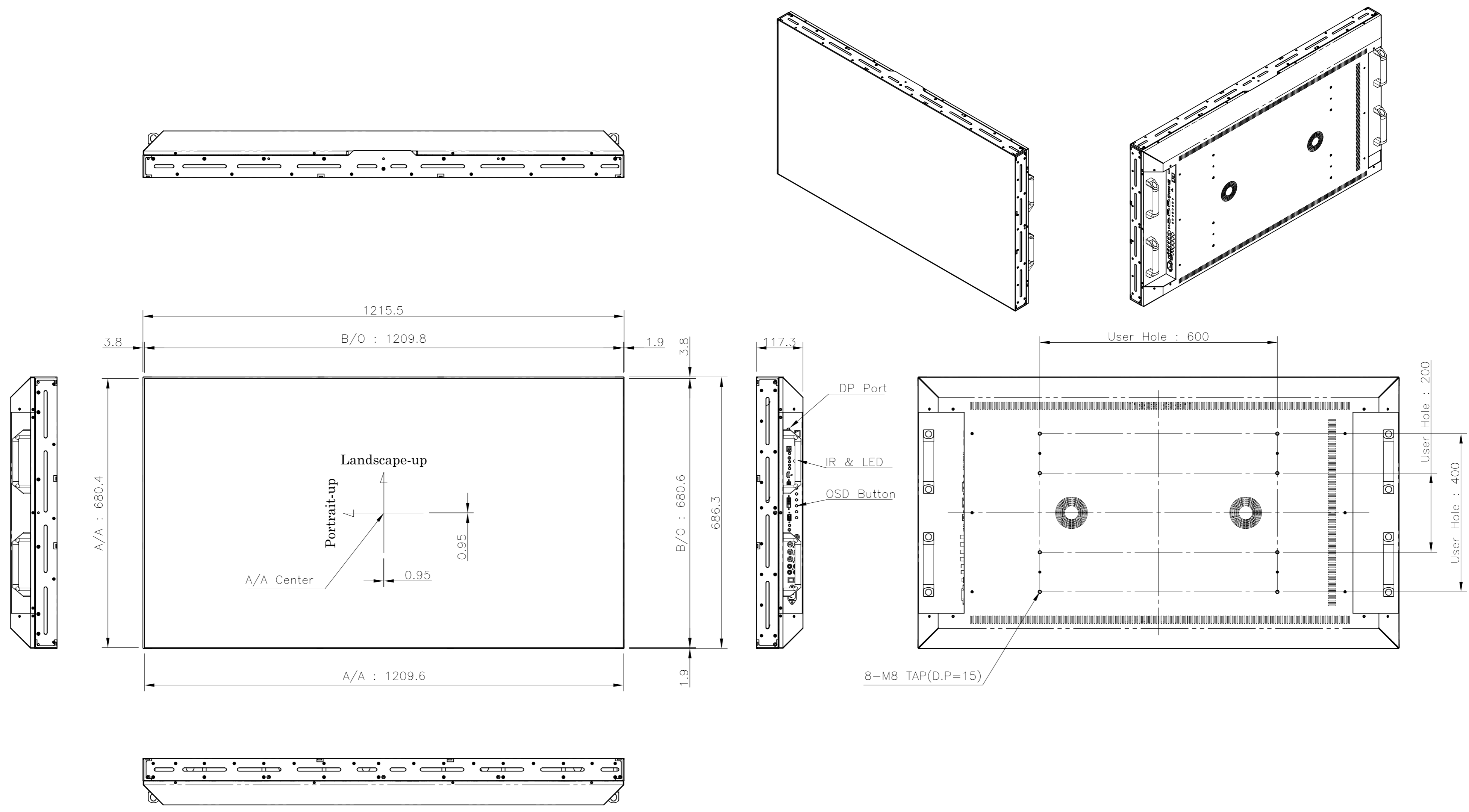


This drawing is the property of HDIBT Corp. and should not be disclosed to any third party without prior permission of HDIBT Corp..

REV. NO		REV. HISTORY	LTR	ECO NO	DATE	APPR'L
DWG	PART					
00	00	INITIAL RELEASE	-	-	-	-



- NOTES,**
1. LCD Panel : 55" SNB (SEC)
 2. Material : E.G.I
 3. Color : Black
 4. Net Weight : D55DFB(P) : 34 Kg
 5. Model Name :
 - 1) D55DFB : without DP Port
 - 2) D55DFP : with DP Port

DRAWN	PLANNED	CHECKED	APPROVED	UNLESS OTHERWISE SPECIFIED ALL DIMENSION ARE IN MILLIMETERS TOLERANCES ARE : LINEAR : X ± 0.10 X ± 0.05 .XX ± 0.005 ANGLES : ± 0.1° RADII UNLESS NOTED : R 0.3	ANGLE 3rd.	TITLE : D55DFB(P) EXTERIOR VIEW	UNIT : mm
S.W.SEO	S.H.JANG	S.H.JANG	Y.T.KIM		SCALE : 1/10		TYPE : ASSY
'14.02.25	'14.02.25	'14.02.25	'14.02.25	MODEL NAME (CODE): D55DFB(P)	CUSTOMER. HDIBT	DWG REV : 00	SIZE : A3
				FILE NAME : LAYOUT_D55DFB_131213.DWG	DWG REV : 00	DWG(PART) NO. D55DFB_001	
					SH'T NO : 1/1		