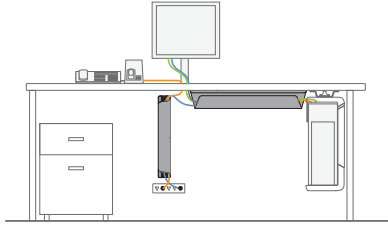
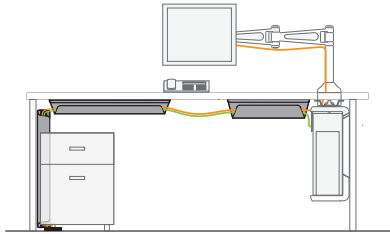


NeatLinks Instructions

Suggested Configurations, Continued



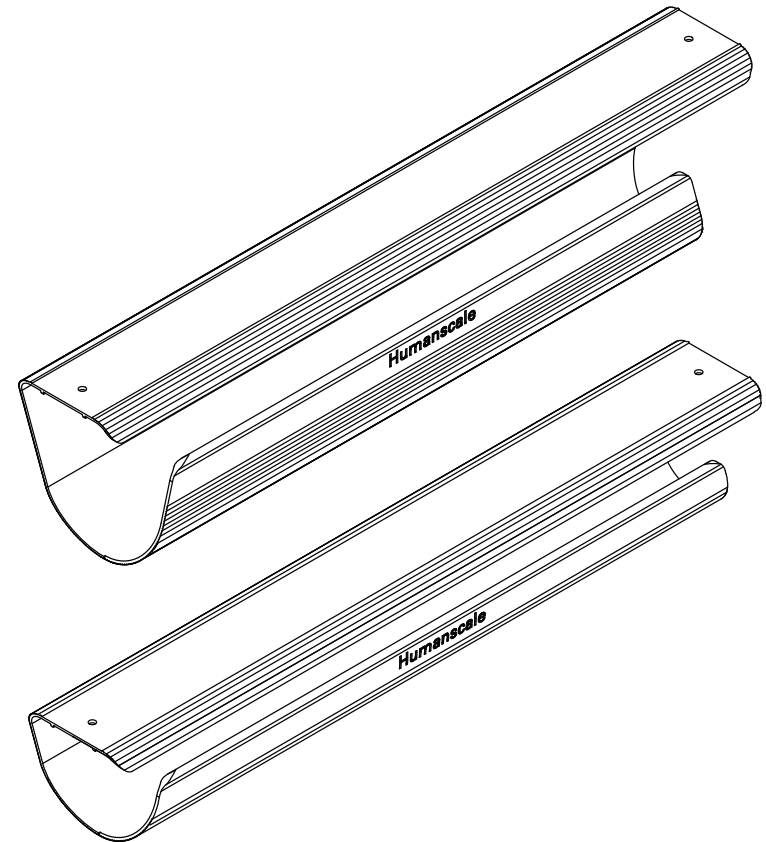
3. Install large-diameter 24" channel horizontally, below desktop. Position small-diameter 17" channel vertically by nearby wall outlet or CPU.



4. Install large-diameter 17" channel and small-diameter 24" channel horizontally, from end-to-end, below desktop. Position second small-diameter 24" channel vertically, above floor outlet.

NeatLinks™

Installation Instructions

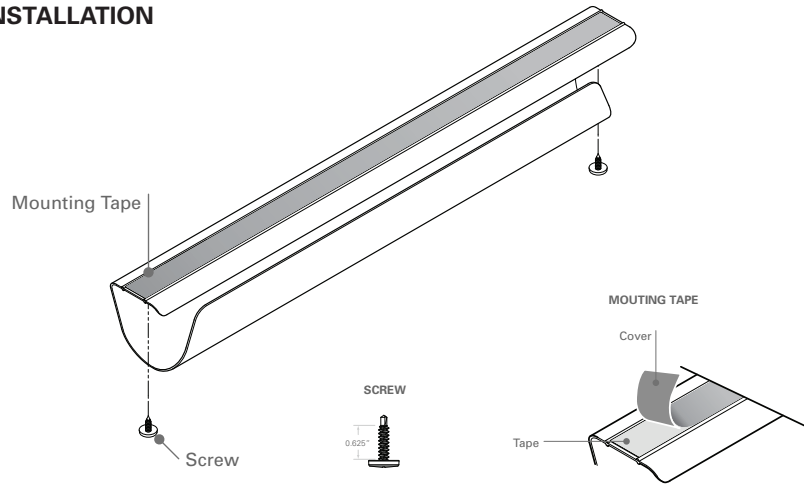


HSNLI0710



NeatLinks Instructions

INSTALLATION



Install with Screws

1. Determine NeatLinks mounting position.
2. Locate two pre-drilled holes in flat side of NeatLinks channel.
3. Insert screws from inside of channel and drill into mounting surface. Wall anchors are recommended for drywall/hollow wall installations.
4. Route cables, power strips and ballasts as needed.

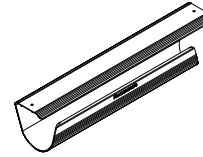
Install with Tape (Recommended only for smooth, non-porous surfaces such as laminate, glass or polyurethane-coated wood. Do not use tape on unfinished wood or wood composites such as MDF.)

Note: NeatLinks mounting tape is permanent. Please take care when installing.

1. Determine NeatLinks mounting position.
2. Locate tape on flat surface of NeatLinks channel.
3. Peel protective cover from tape to expose glue.
4. Press adhesive side of NeatLinks channel firmly in place on desired mounting surface.
5. Allow adhesive to cure for 72 hours.
6. Route cables, power strips and ballasts as needed. Tape can support 8 lbs. of equipment for 10 years or more.

NeatLinks Instructions

CONFIGURATION BASICS

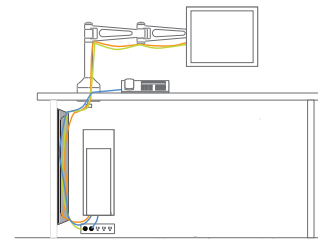


Store power strips and ballasts in horizontally mounted large-diameter NeatLinks.

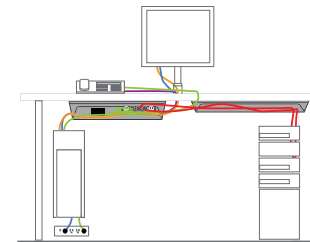


Route cables through horizontally or vertically mounted small-diameter NeatLinks.

Suggested Configurations



1. Install small-diameter 24" channel vertically, by nearby wall outlet or CPU.



2. Install large-diameter 17" channel and small-diameter 24" channel horizontally, from end-to-end, below desktop.