



ballo[™]

A Don Chadwick Design



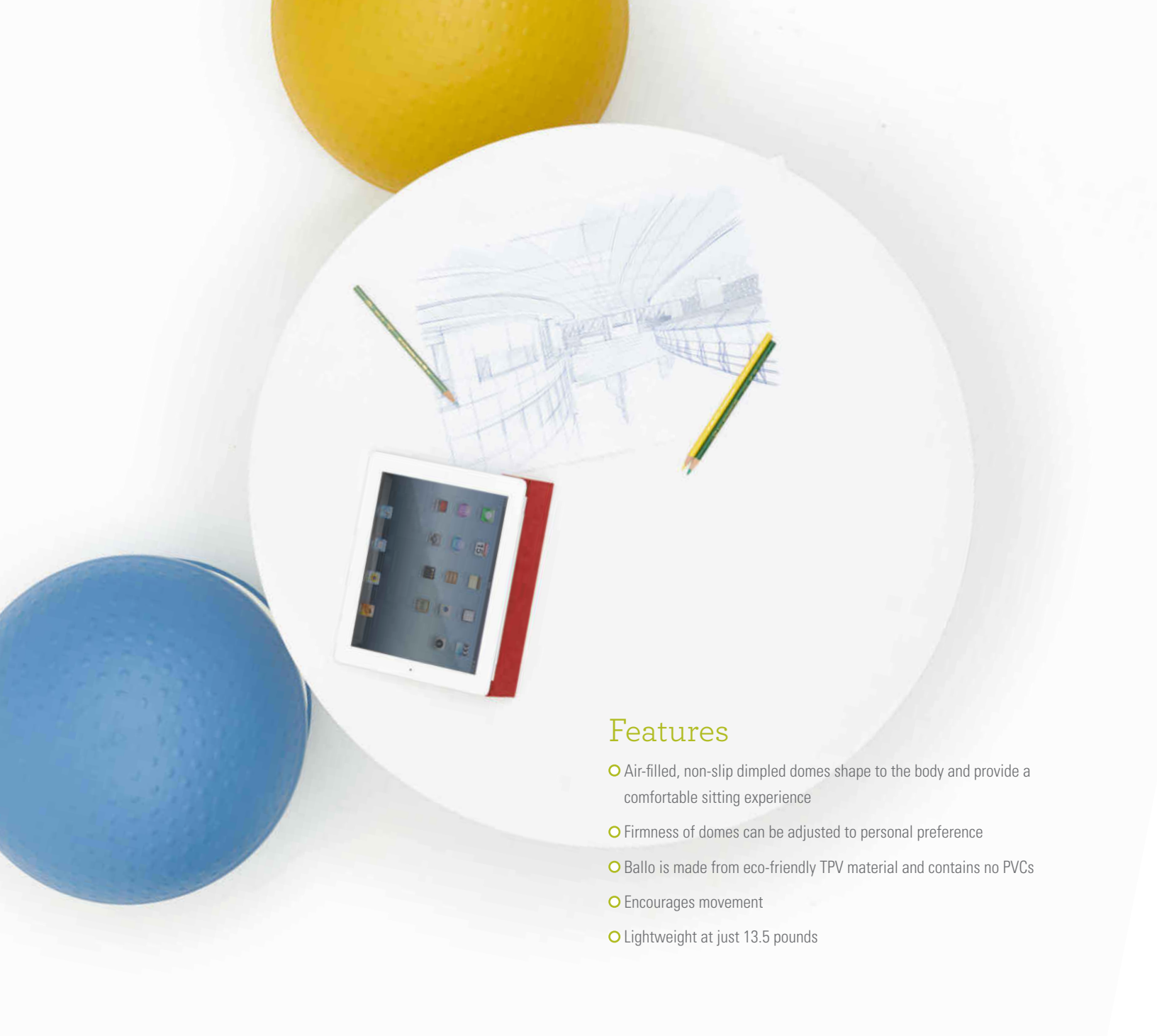
Humanscale

Ballo is a multipurpose stool for short-term, active sitting. Ideal for a variety of uses, settings and spaces, the Ballo stool is suited to home and office environments and everywhere in between. Perfect for pulling up a quick seat, surrounding a conference table or for use in a reception area, Ballo inspires activity. Available in seven colors, Ballo's playful aesthetic complements any space while promoting healthy movement.

The Ballo stool is ideal for:

- Collaboration spaces
- Education spaces
- Cafeterias
- Reception areas
- Touchdown spaces
- Guest seating at workstations
- Family rooms
- Home offices
- Lounge areas





Features

- Air-filled, non-slip dimpled domes shape to the body and provide a comfortable sitting experience
- Firmness of domes can be adjusted to personal preference
- Ballo is made from eco-friendly TPV material and contains no PVCs
- Encourages movement
- Lightweight at just 13.5 pounds

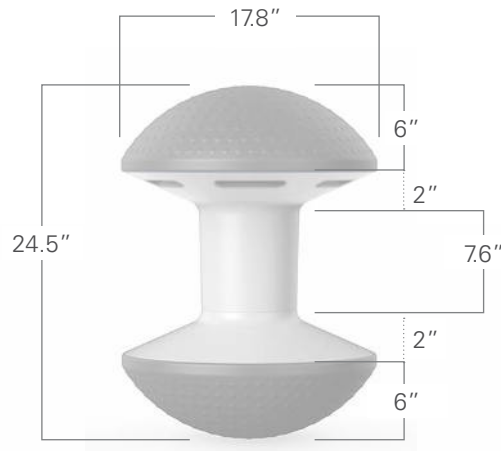


“Ballo was inspired by the exercise ball, but it’s more fun. I wanted to create a stool that would bring a playful aesthetic to any environment, while encouraging healthy movement.”

Don Chadwick, Designer

Specifications

- Ships inflated
- Air pump is included in package
- Weight: 13.5 lbs
- Accommodates users up to 300 lbs
- 3-year warranty



Black



Red



Gray



Green



Sky Blue



Yellow



Ballo and the Environment

Humanscale products are designed with a constant and genuine focus on their environmental impact at every stage of their development. For us, the best designs in the world achieve more with less, and sustainability is the natural result of this focus.

Although inspired by the exercise ball, Ballo does not contain traditionally used PVC (also known as vinyl) that can be harmful to people and the environment. Instead, Ballo employs an eco-friendly material made from Thermoplastic Vulcanizates (TPV). TPV contains no dangerous residues, no heavy metals or phthalate esters chemicals.

Product Materials



Air-filled top and bottom domes
non-slip TPV material with textured pattern (no PVC)

Hand holds
for easy portability

Body material
polypropylene cone and spool column

The Ballo stool features a counterweight in its base that helps it remain upright.