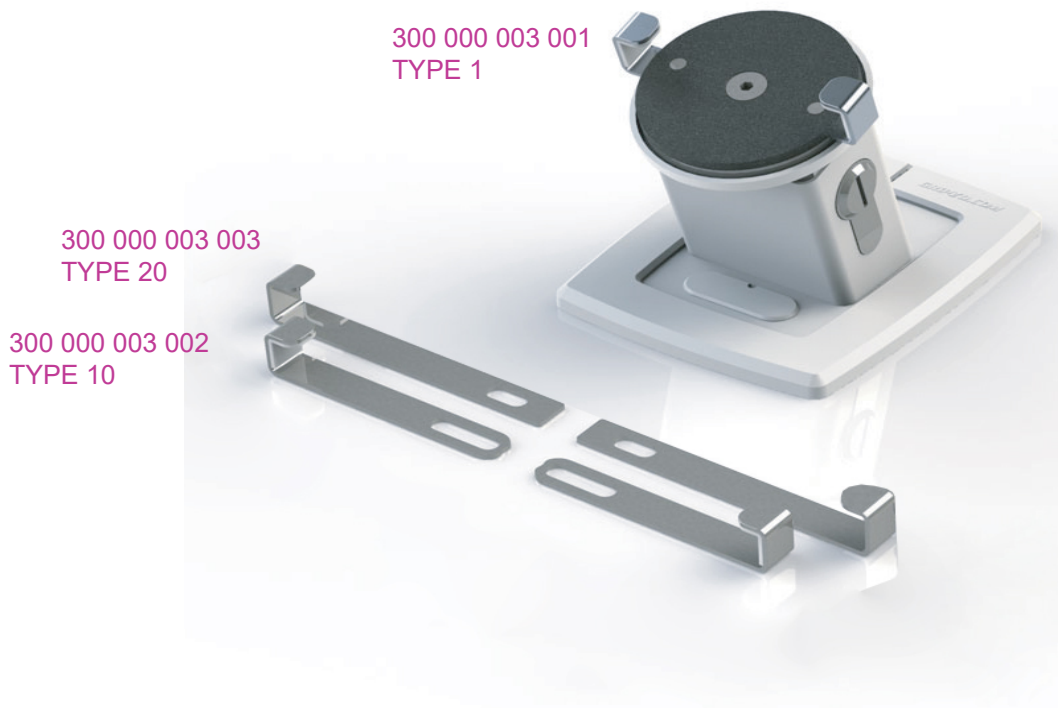


Gripzo V3 Lite

Mechanical anti-theft device for phones, tablets & smartwatches
Designed with minimalistic use of grips
360 rotation
Device is attached with self-adhesive and claws to the rotation plate
Quick release option for phone + grips, key operated
Suitable for table- or wall mount
Fix angle presentation
Cable lead option through base plate
Adjustable side claws
Including lock assembly + 1 security key
Weight 0,6KG
Standard color white + metal side claws

Min/Max phone thickness: 7 mm – 9 mm
Min/Max phone width: 61 mm – 84 mm
Min/Max phone length: NA with 2 claw set
with 4 claws check dim. sheet

V3 Lite standard supplied with 1 adhesive + 1 lock/key
Please order with desired clawset



GRIPZO

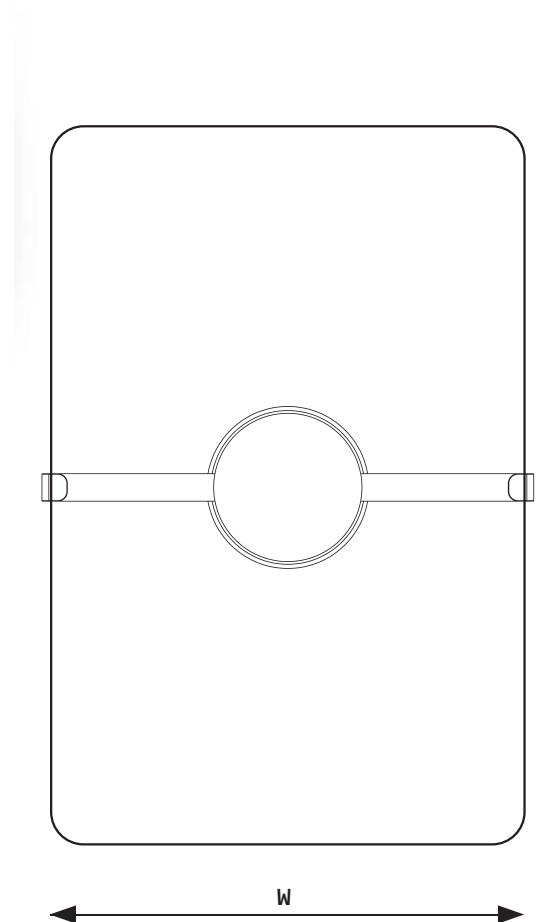
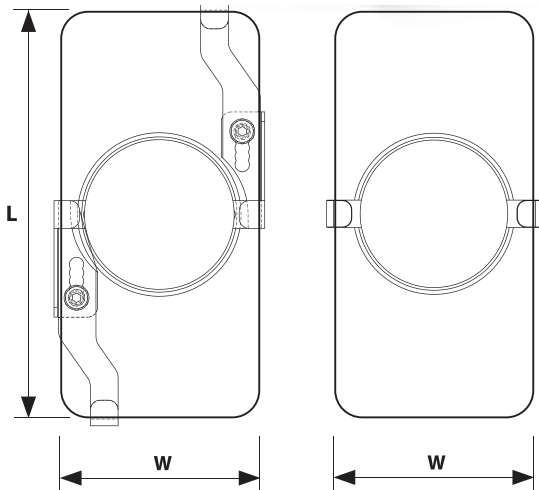
ENGINEERED FOR ZERO THEFT

info@gripzo.com
www.gripzo.com

Warehouse address:
De Kloet 10M
5531 MA Bladel
The Netherlands
Phone +31 655 838 101

V3 LITE Holder only, excluding claw set
300 200 003 000 Standard supplied with 1 adhesive + 1 lock/key

CLAWSET V3 PHONE (2 CLAW)
300 000 003 001 TYPE1 For 3,5" to 6,7" phones (width sizes 61 to 84 mm)



CLAWSET V3 TABLET
300 000 003 002 TYPE 10 For 7" - up to 10,1" tablets (width sizes 134 to 162 mm)
300 000 003 003 TYPE 20 For 10,2" - up to 11" tablets (width sizes 165 to 176 mm)