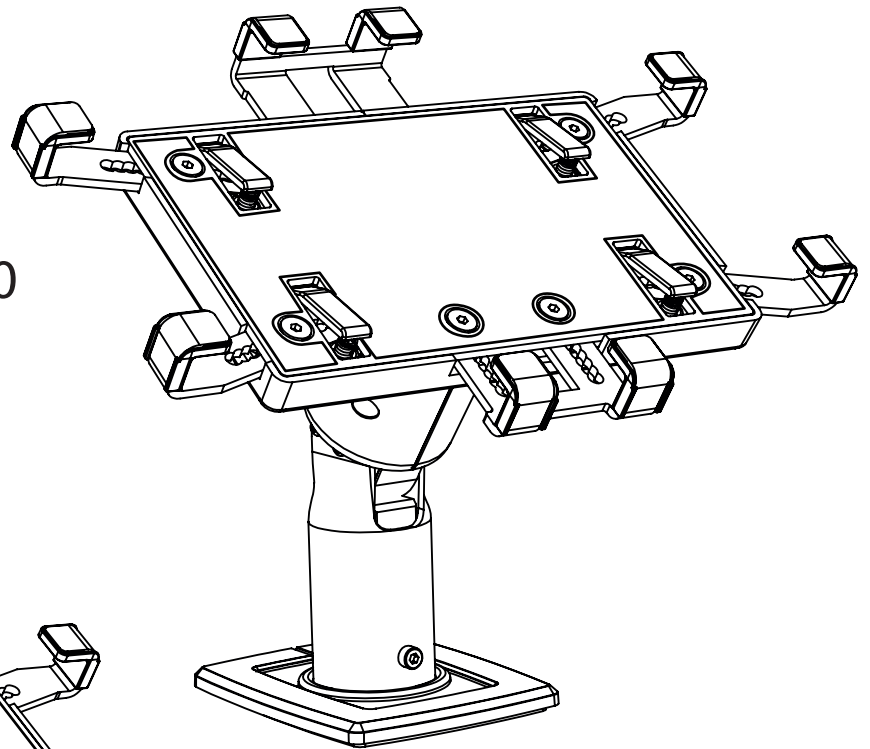
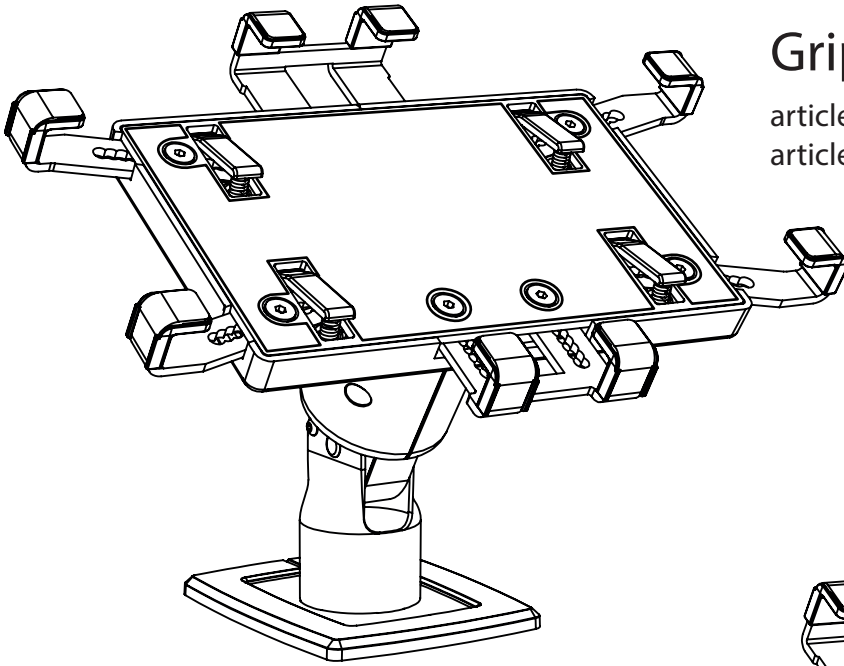


Gripzo complete Tablet Grip Manual

Gripzo Tablet Universal

article code 720 000 001 000 - white

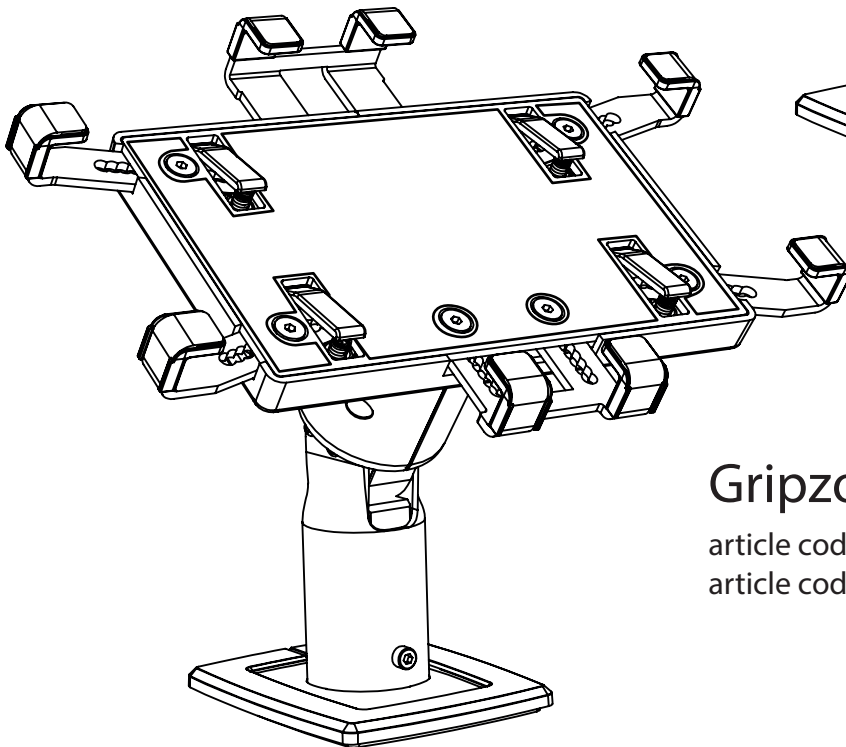
article code 720 000 002 000 - black



Gripzo Tablet POS 360

article code 710 000 204 000 - black

article code 710 000 203 000 - white



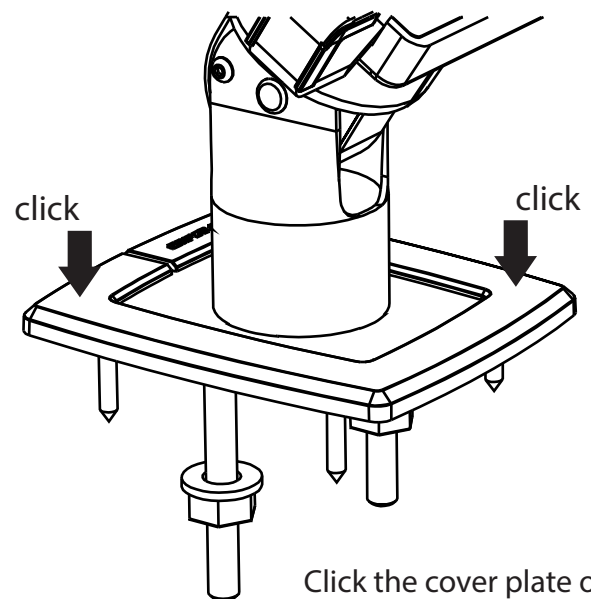
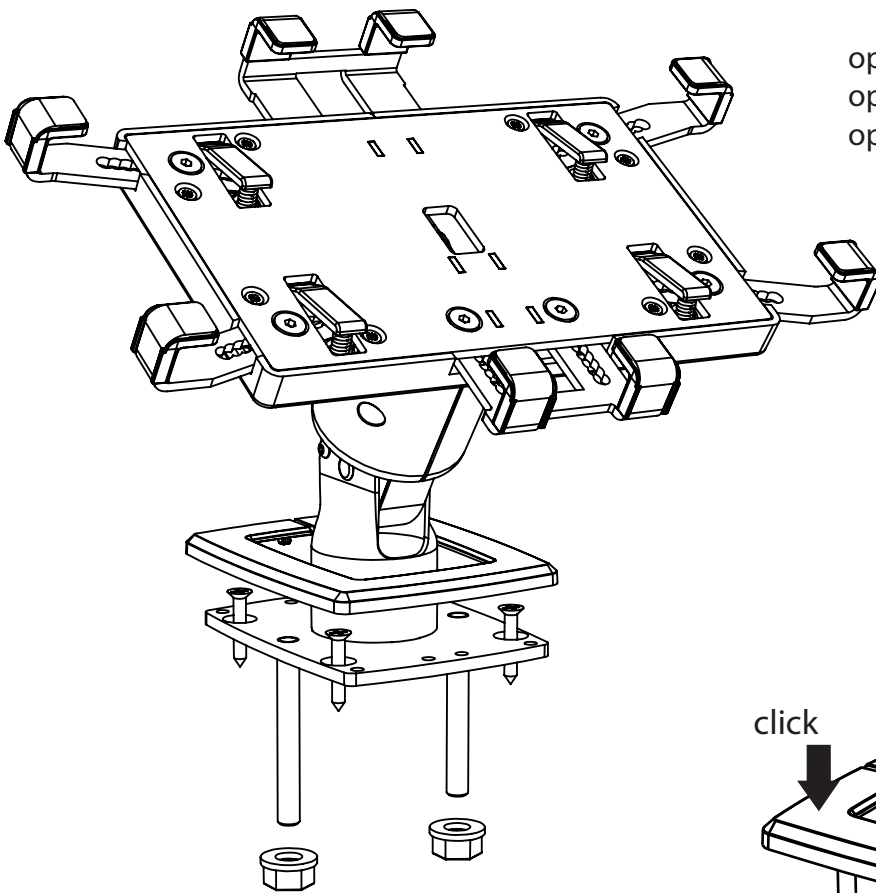
Gripzo Tablet POS

article code 700 000 202 000 - black

article code 700 000 200 000 - white

Mounting the Gripzo T

- option 1: mount foot using 2 bolts M 6
- option 2: mount foot using 4 screws
- option 3: mount foot using self-adhesive



Click the cover plate on

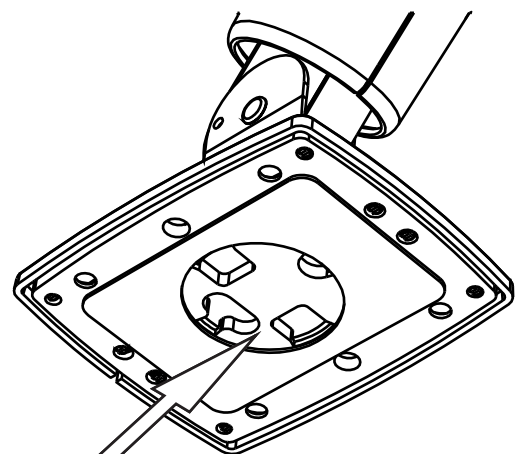
option 1.) Mount the screws through the baseplate

option 2.) Mount the stud/bolt from underneath the display table into the baseplate. Secure with a screw / nut. Note; make sure the bolts are level with the top of the baseplate and not through the baseplate.

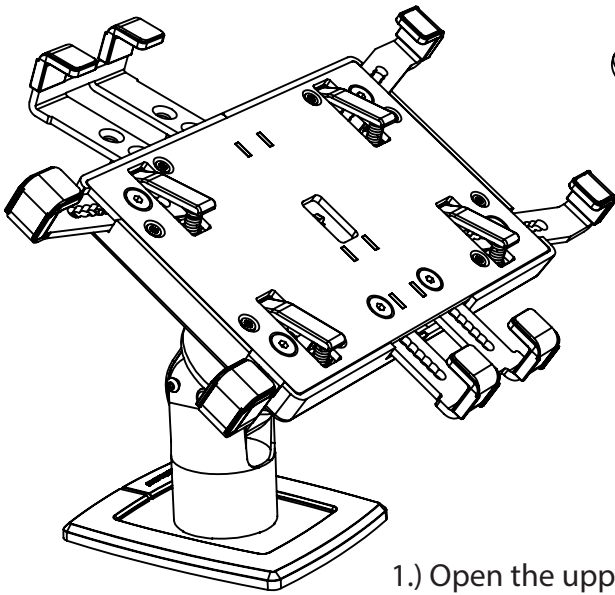
option 3.) Mount with strong self-adhesives in case drilling is not possible (e.g. on glass displays).

Please note: Nuts & studs, strong adhesives and (security)screws are not included. These can be ordered as an accessory.

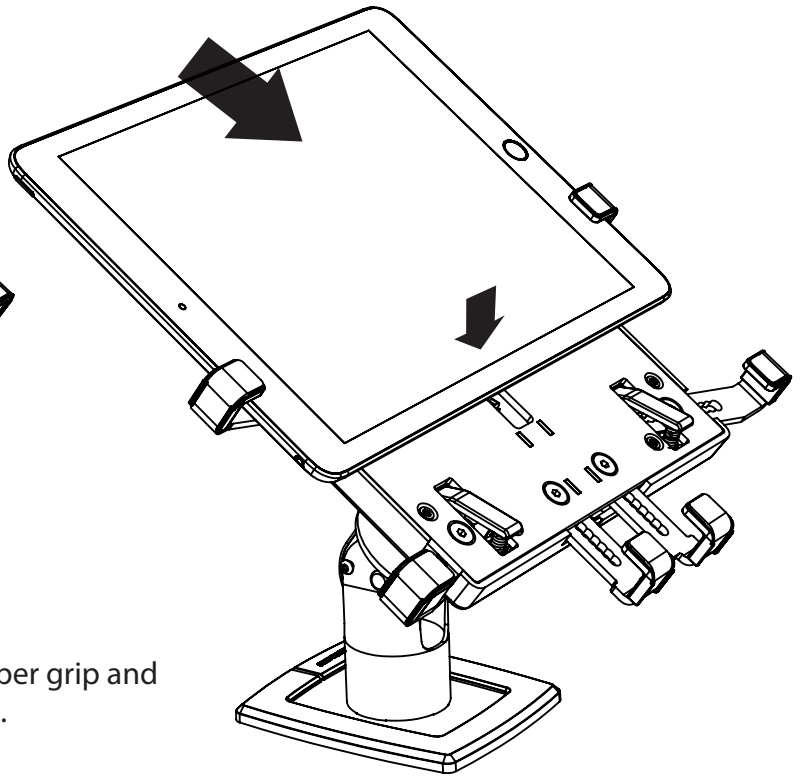
Charging cable can be guided through the pole. See also page 12.



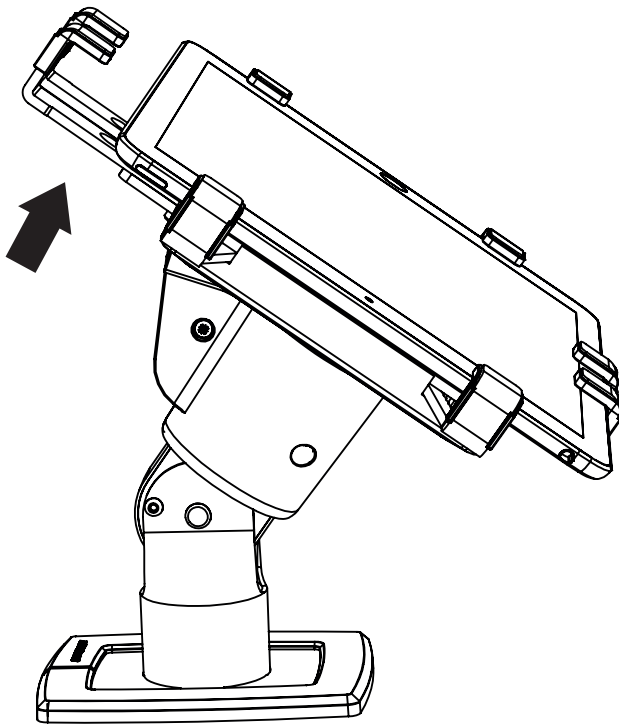
correct using the Gripzo Tablet Grip



1.) Open the upper grip and Insert the tablet.

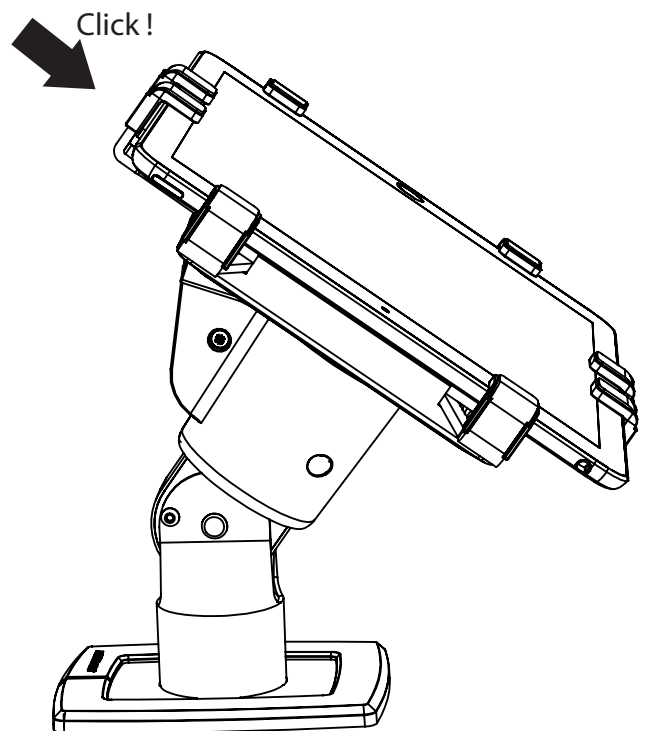


Please note: Push the tablet downwards so that it passes under the lower grip.



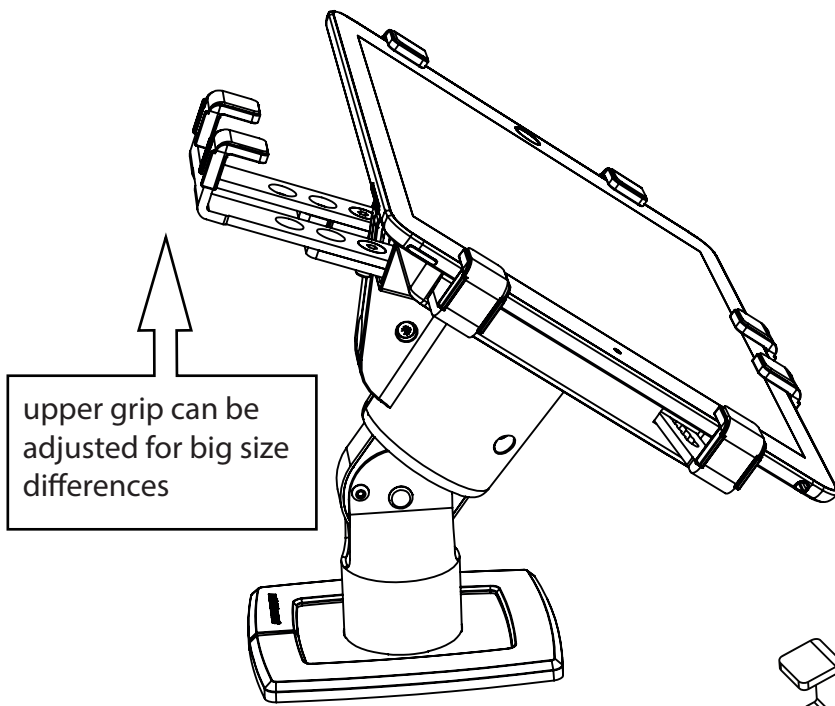
2.) Check if individual grips will cover the tablet.

Make sure tablet is not too tightly fitted! Leave space of ≤ 2 mm.



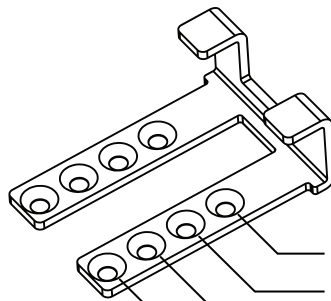
3.) Close the upper grip, and check if you can release the key. If this fails, the upper grip is not closed properly.

correct using the Gripzo Tablet Grip



Push upper grip upwards; the individual grips of the upper grip must touch the topside of the tablet for correct functionality. If the grip does not cover the tablet, adjust the upper grip for rough tuning or lower grip for fine tuning (Allen key wrench)

IMPORTANT!: do not fit the tablet too tight within upper grip. Upper grip should always close easily with a little space between device and grip ≤ 2 mm

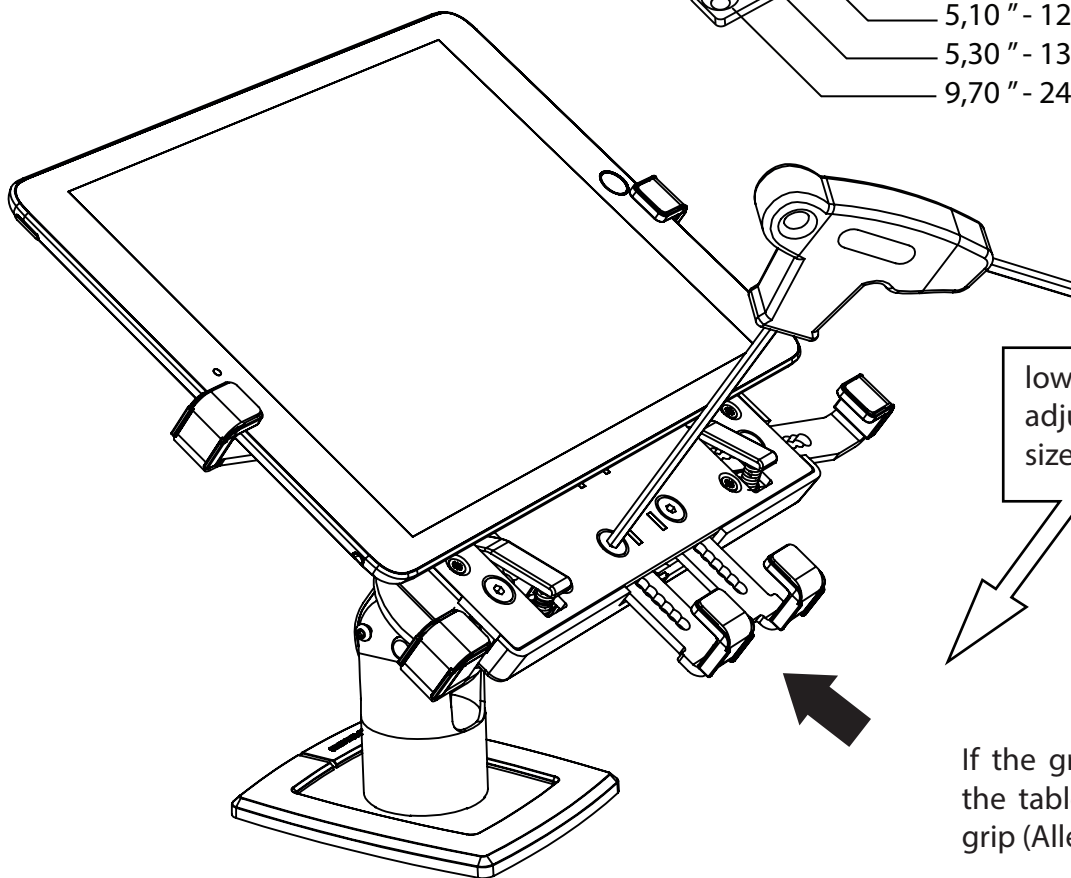


4,52" - 11,48 cm

5,10" - 12,95 cm

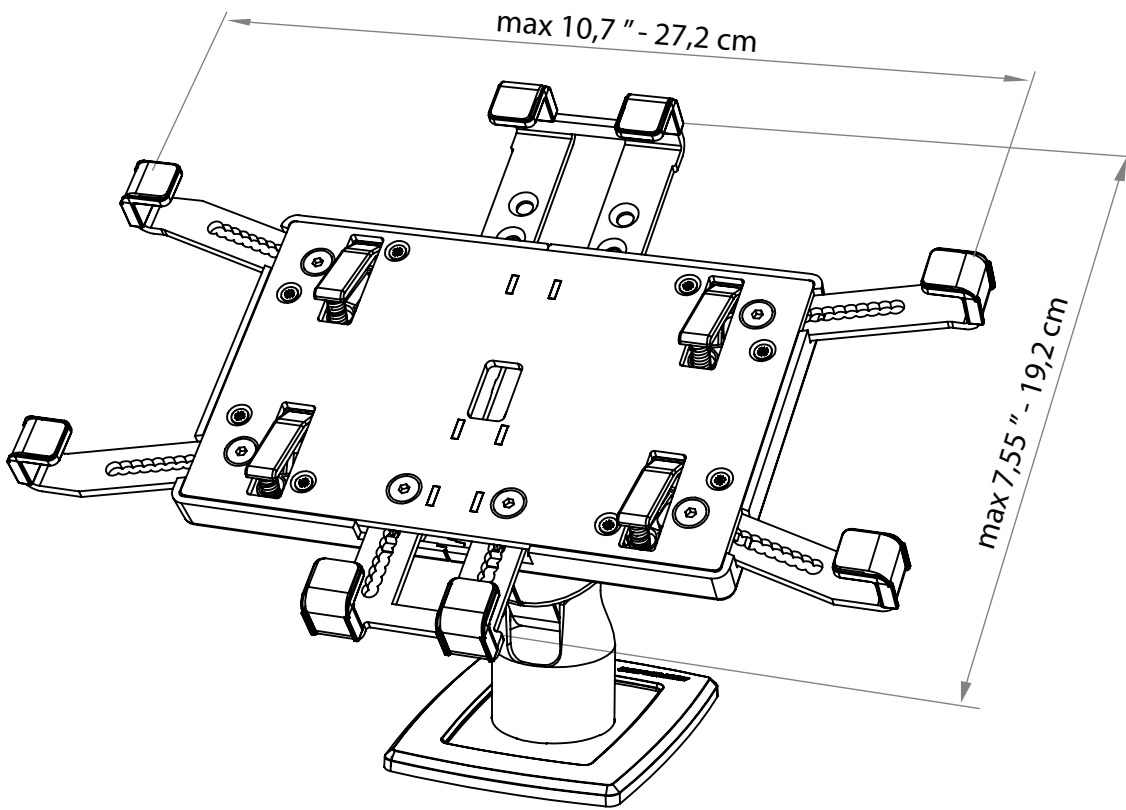
5,30" - 13,46 cm

9,70" - 24,63 cm



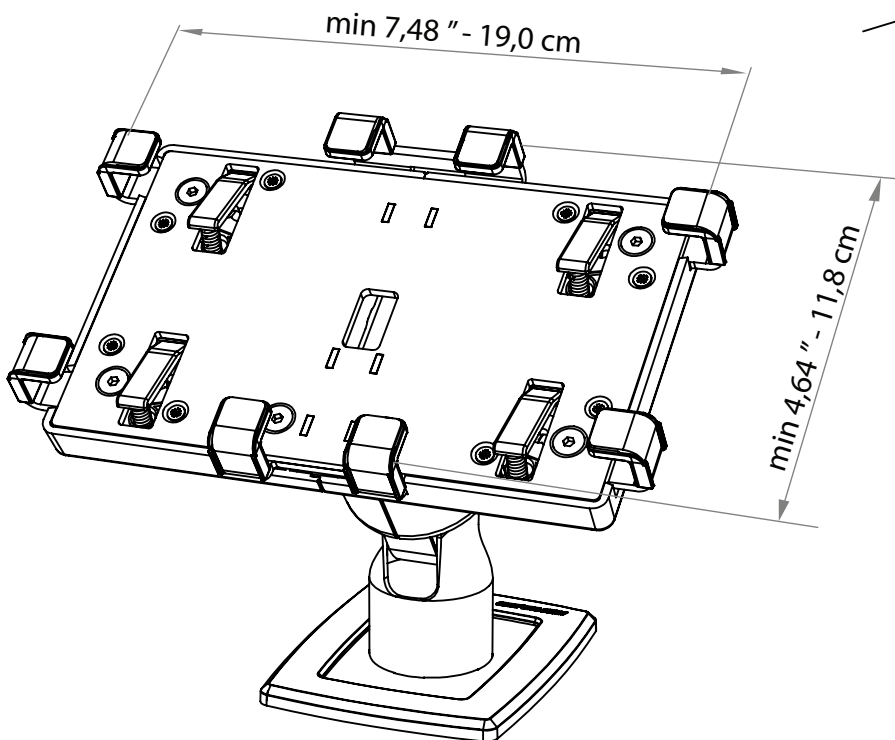
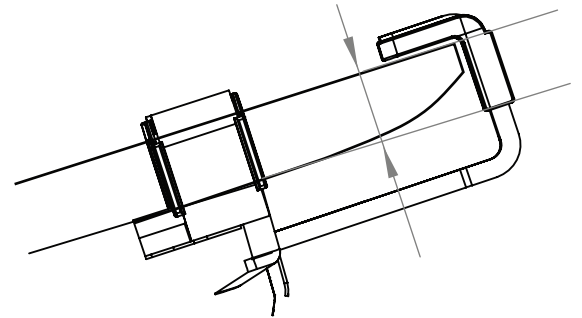
If the grip does not cover the tablet, adjust the lower grip (Allen key wrench).

correct using the Gripzo Tablet Grip



Maximum and minimum dimensions Gripzo Tablet Grip with standard grip set

tablet thickness 3 - 10 mm

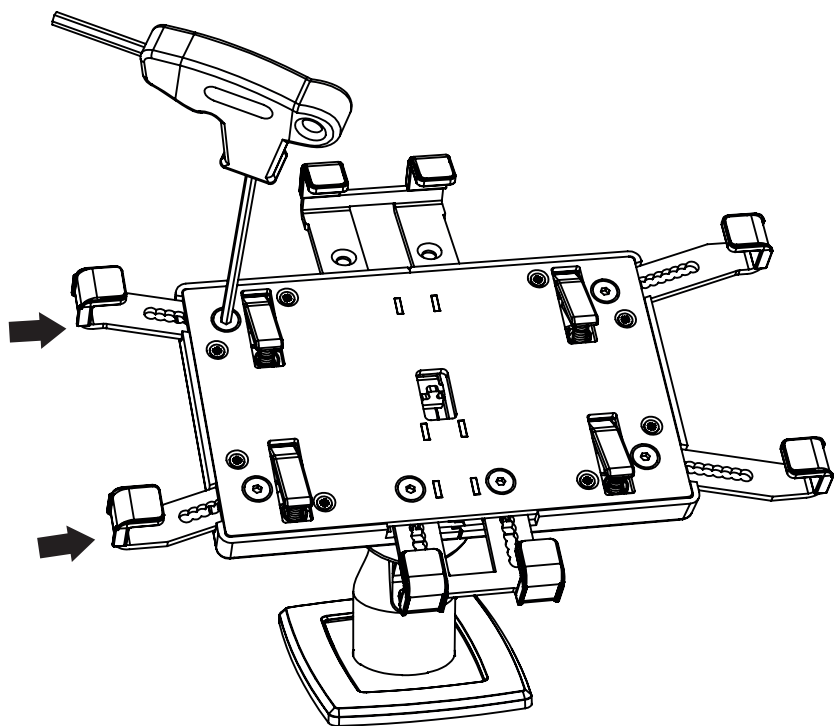


For dimensions of Tablet grip with XL grips, see page 11

correct using the Gripzo Tablet Grip

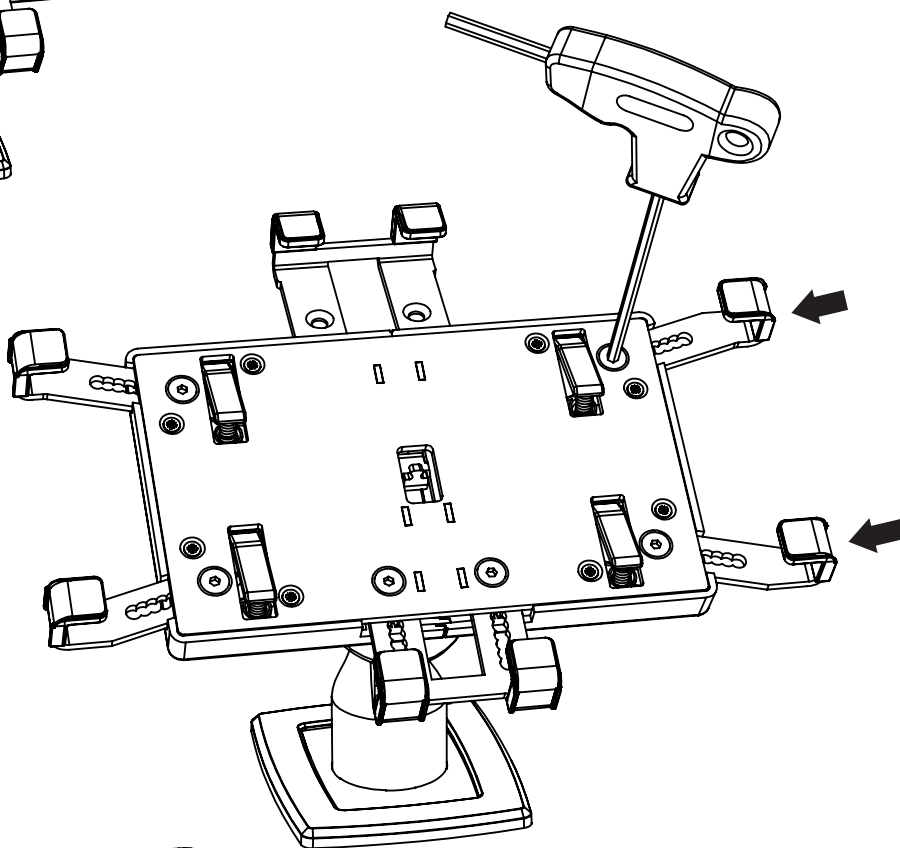
1.) Adjust the side grips with Allen key wrench #3.

Remove Allen screw completely to adjust grip.



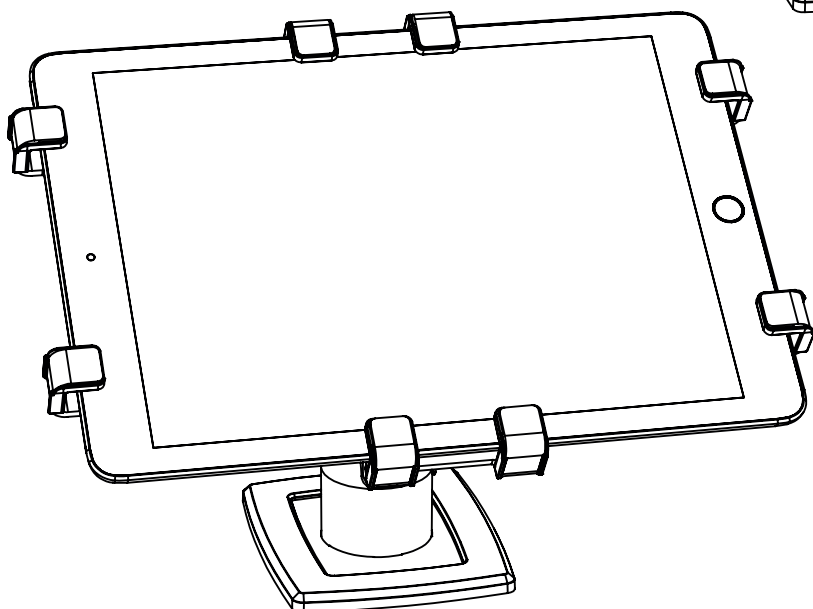
2.) Adjust left and right the same so device is in the center.

TIP! If buttons are in the way of grips you can adjust side grips more left or right so button is free.



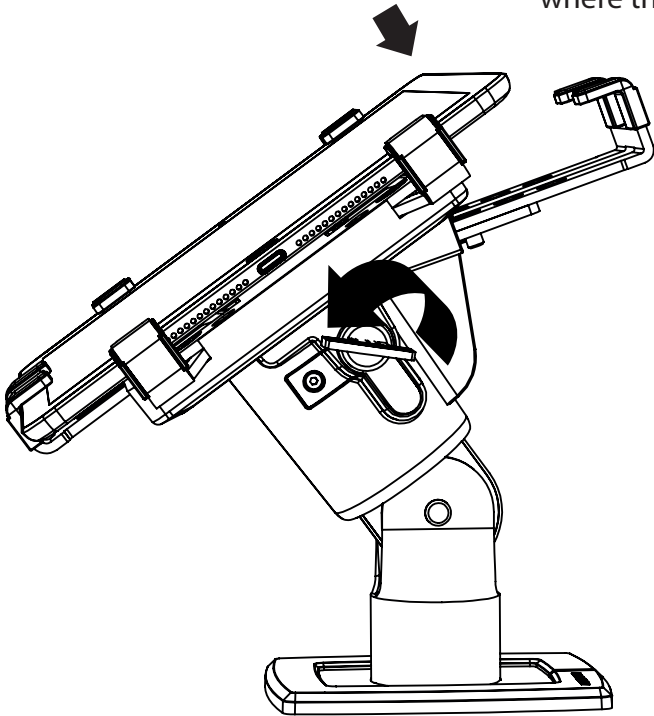
3.) Check if all Allen bolts are used and tightened. DO NOT screw too tight.

4.) Insert the tablet

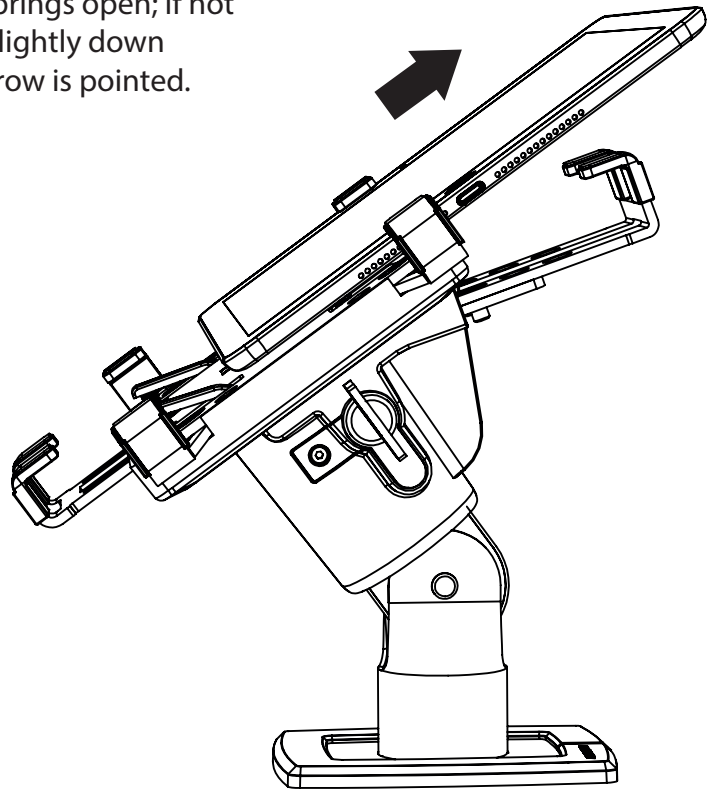


correct using the Gripzo Tablet Grip

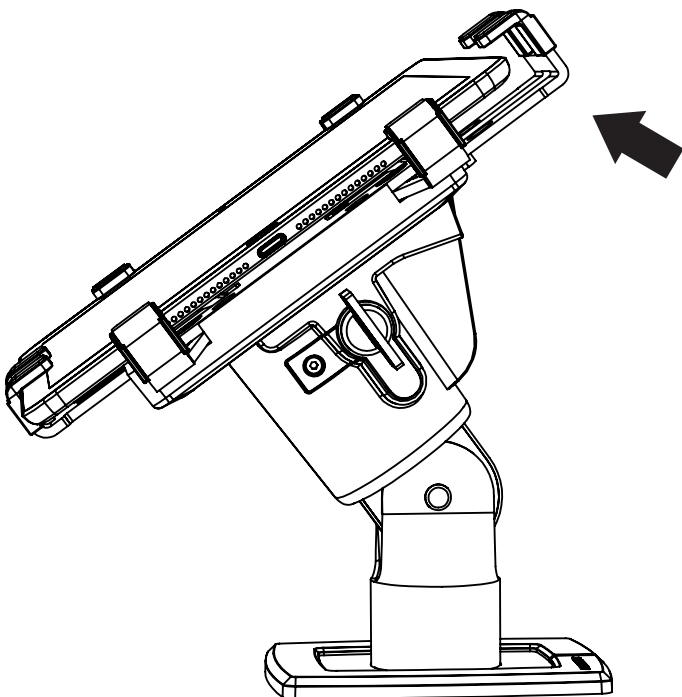
Upper grip springs open; if not push tablet slightly down where the arrow is pointed.



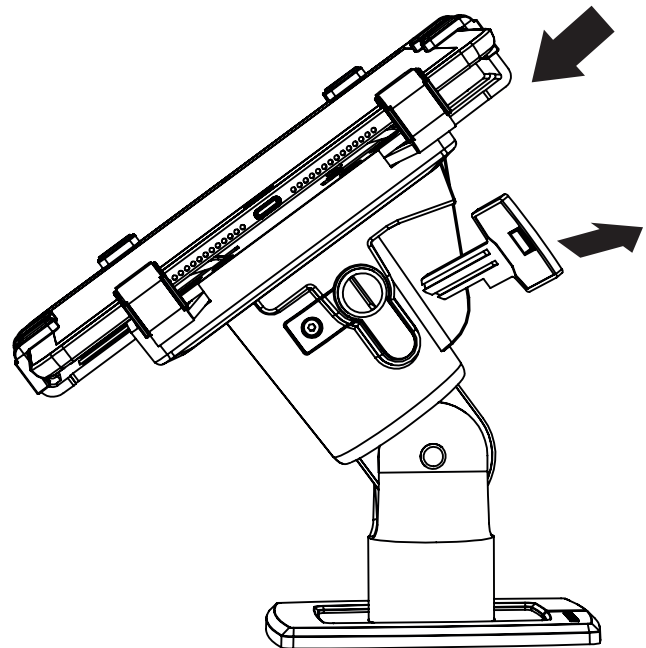
1.) Turn the key to the left (counter clockwise) to unlock.



2.) Remove the tablet.



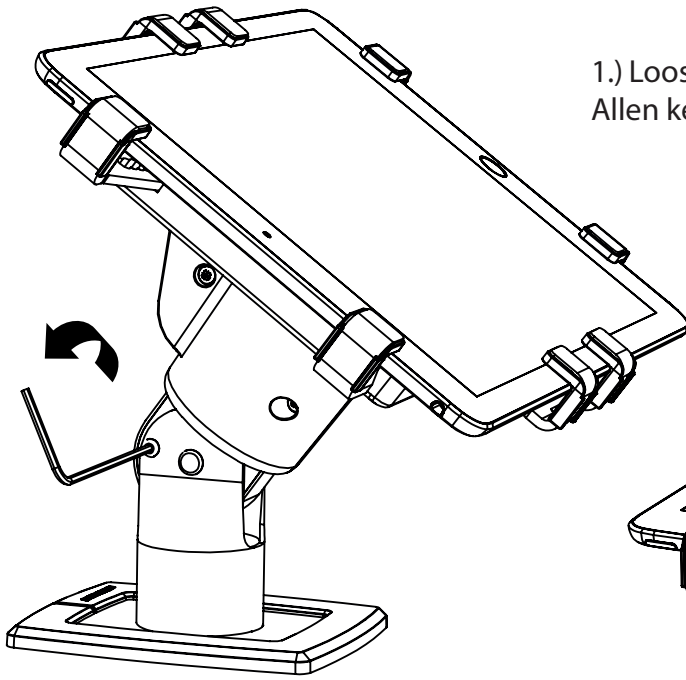
3.) Insert the tablet and close the upper grip.



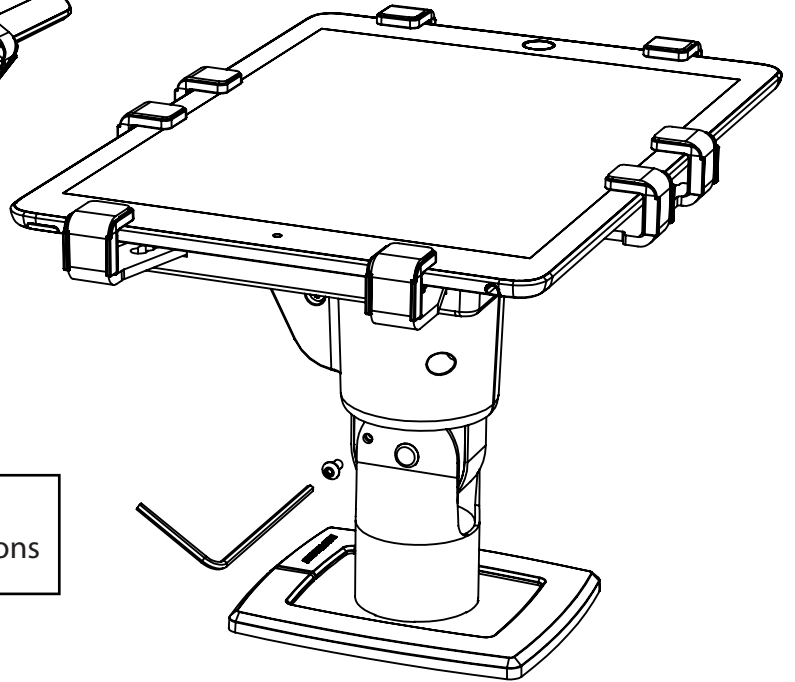
4.) Close the upper grip. Click!
Leave a little space whilst adjusting between device and grip

5.) Remove the key.

changing the display angle

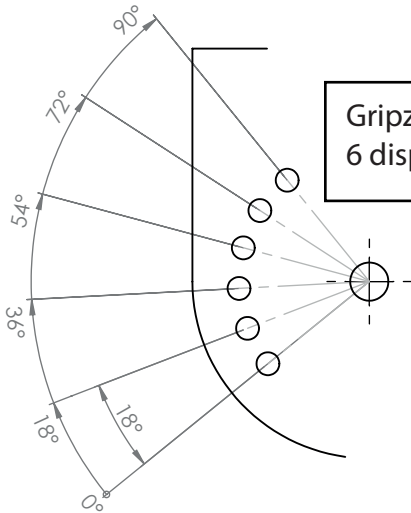


1.) Loose the screw on the pole with an Allen key #2 mm.



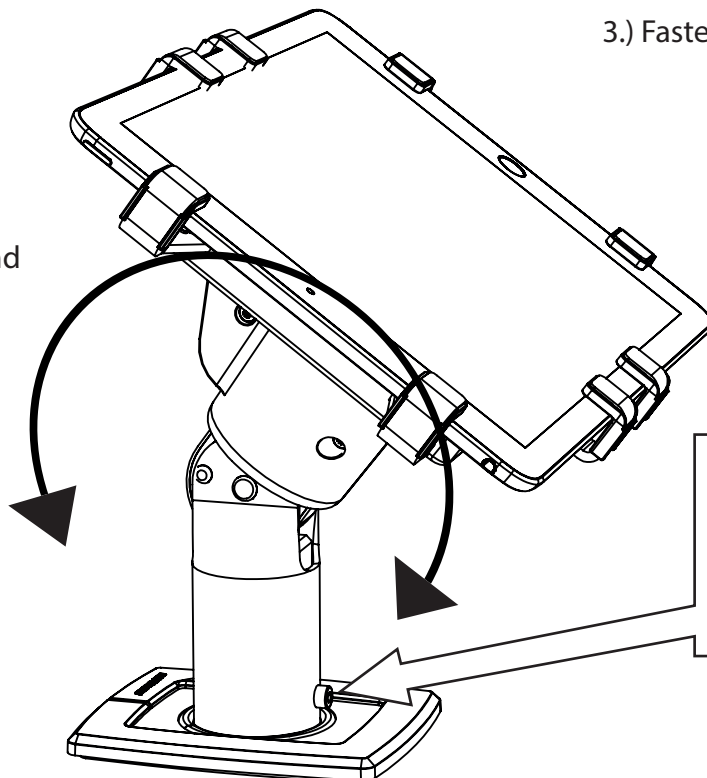
2.) Remove the screw to adjust the display angle

3.) Fasten the screw



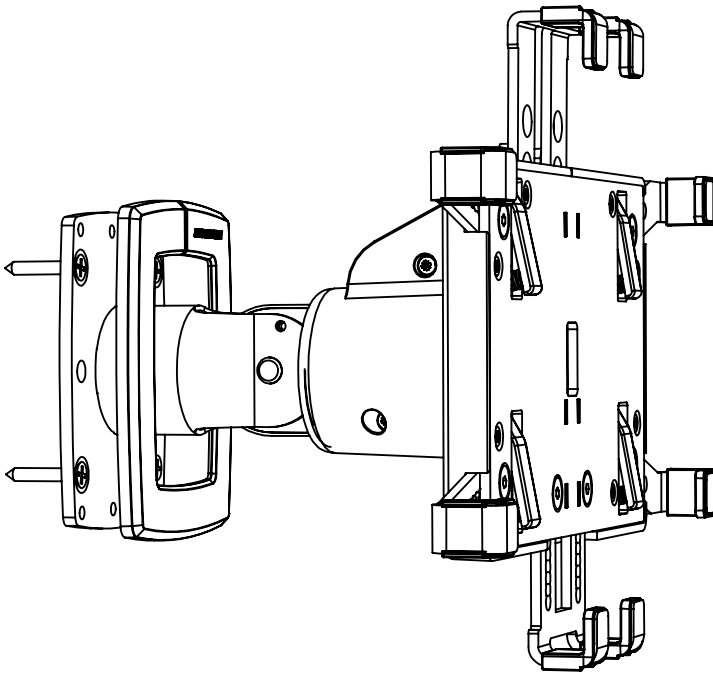
Gripzo T Universal:
6 display angle positions

Gripzo T POS 360 and Gripzo T POS have a permanent angle adjustment option.



Gripzo T POS 360 and Gripzo T POS have a tension adjuster to adjust tension of the swivel function. use Allen key (3 mm)

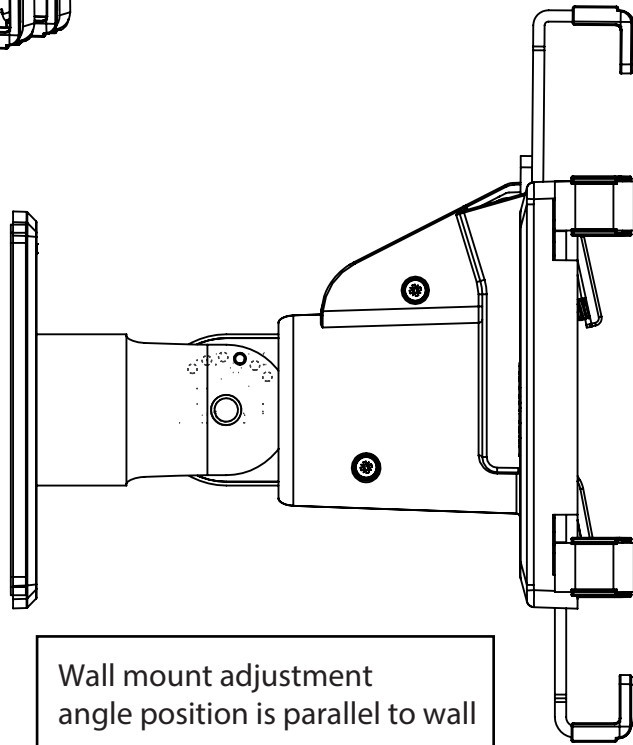
Wall mount



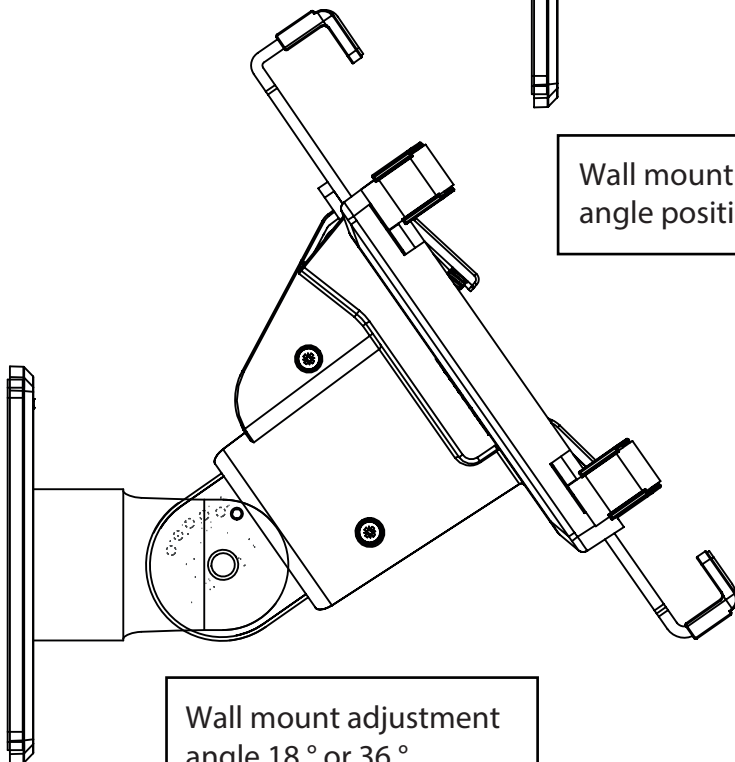
Gripzo T Universal
Gripzo T POS

Gripzo T POS 360 is not
recommended for wall mount

Use 2 mm hex screw for angle
adjustment (in steps of 18 °)



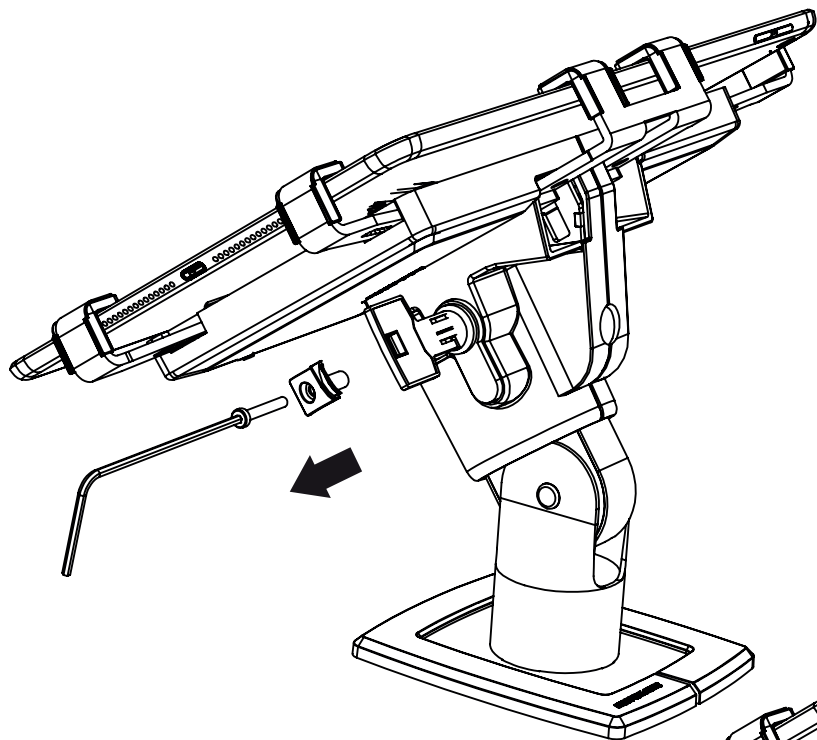
Wall mount adjustment
angle position is parallel to wall



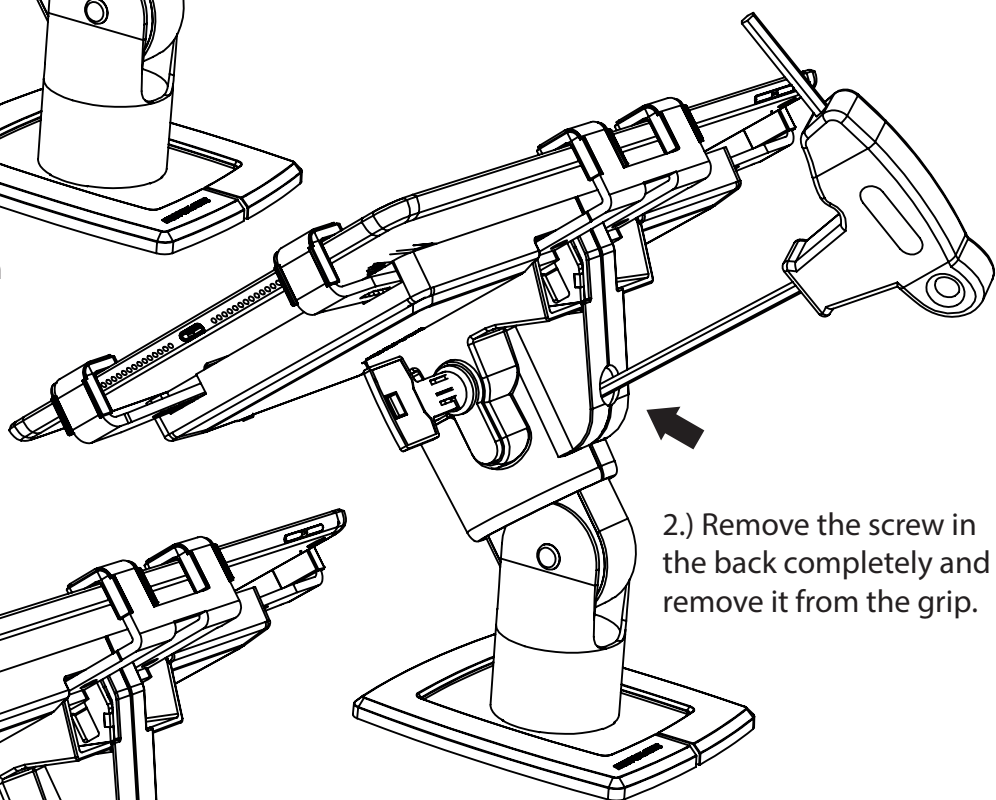
Wall mount adjustment
angle 18 ° or 36 °

The Gripzo T POS has continuously
angle adjustment possibility

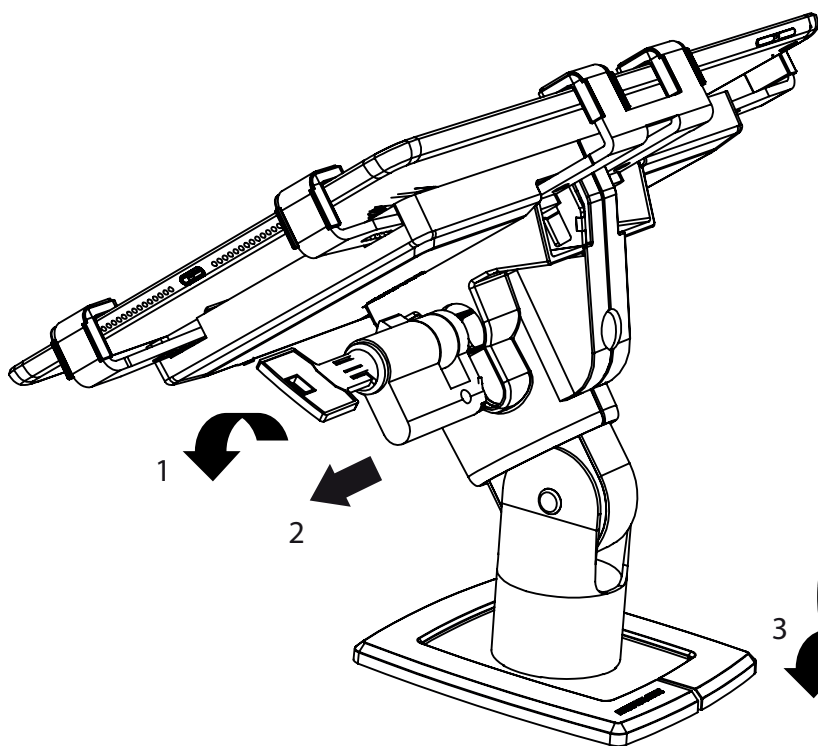
changing the lock



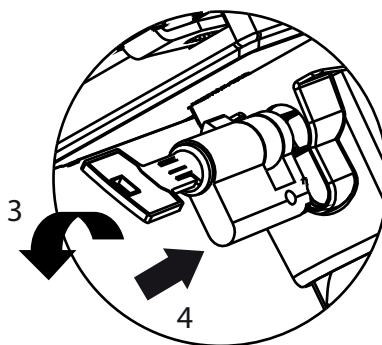
1.) Remove the cap with an Allen key (2 mm)



2.) Remove the screw in the back completely and remove it from the grip.

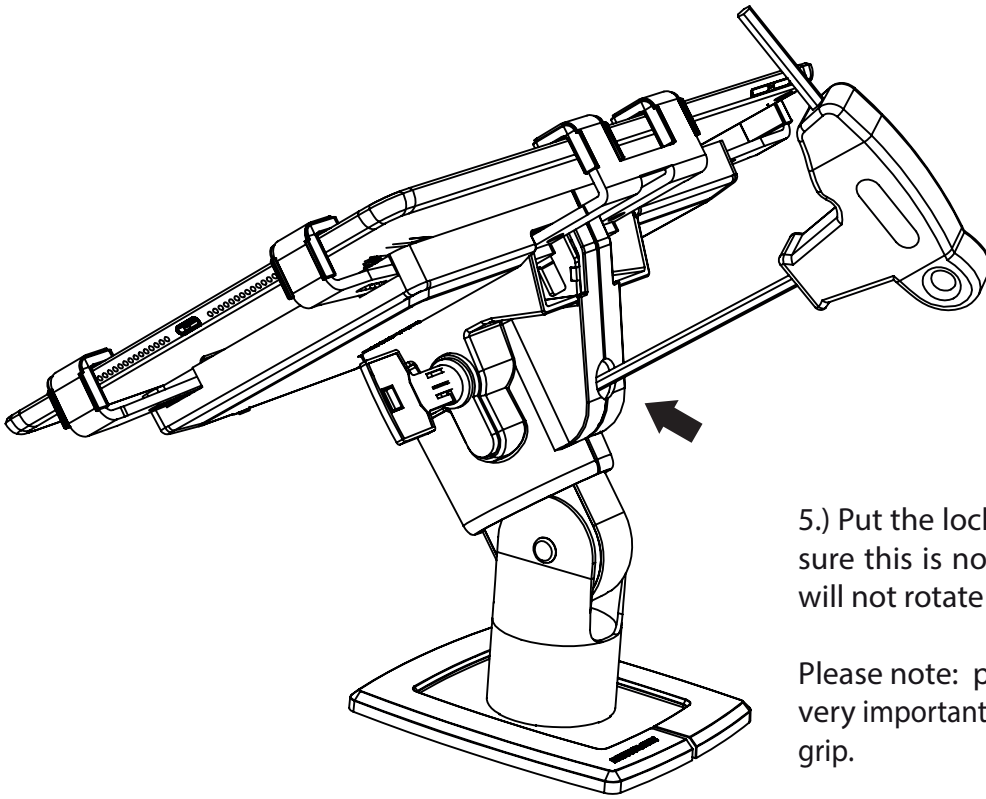


3.) Turn the key to the left. Keep it counter-clock wise (1) and pull out the lock using the key to do so (2)



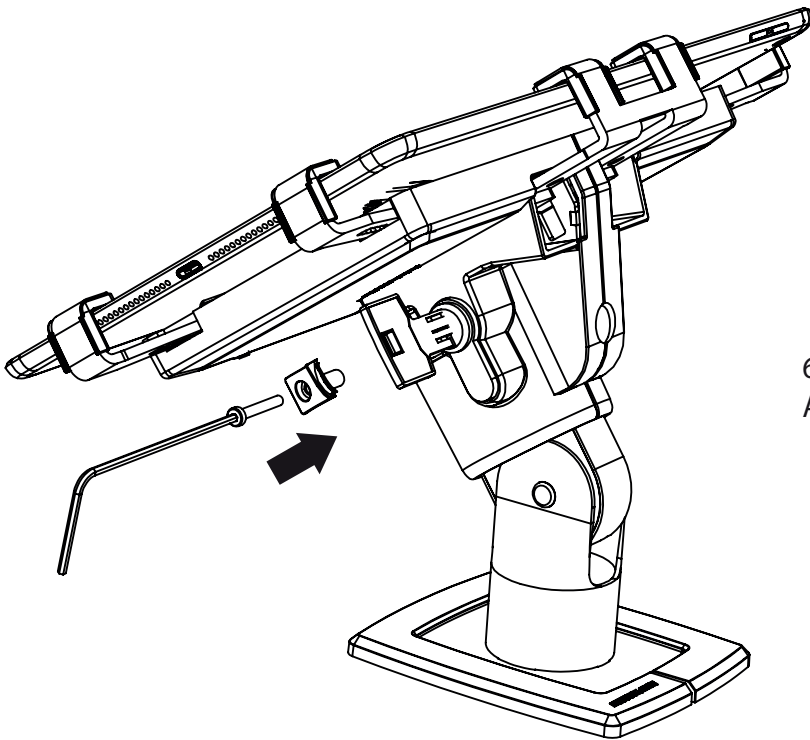
4.) Place the new lock, keep the key counter-clockwise (3) and push it into the opening (4)

changing the lock



5.) Put the locking screw into the lock, make sure this is not too tight otherwise the lock will not rotate smoothly.

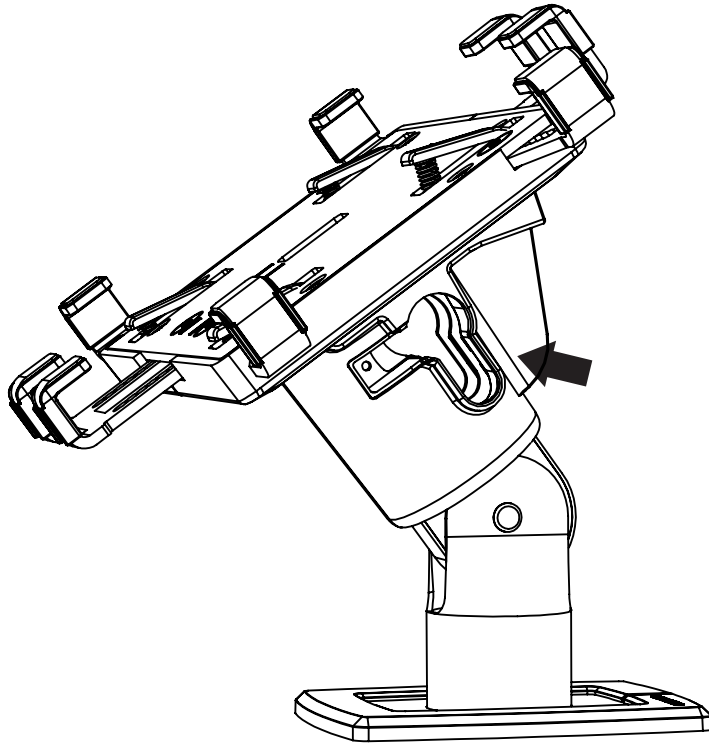
Please note: proper function of the lock is very important for a correct functioning of the grip.



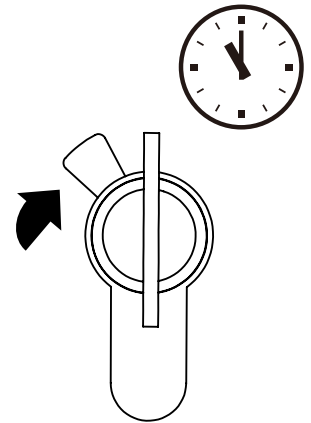
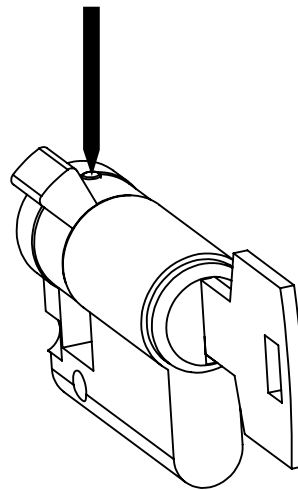
6.) Replace the cap with an 2mm Allen key / wrench

changing the lock Tablet - Smartphone

It is possible to exchange the lock from Tablet to Smartphone holder and vice versa. In that case notice that the cams is positioned correctly.

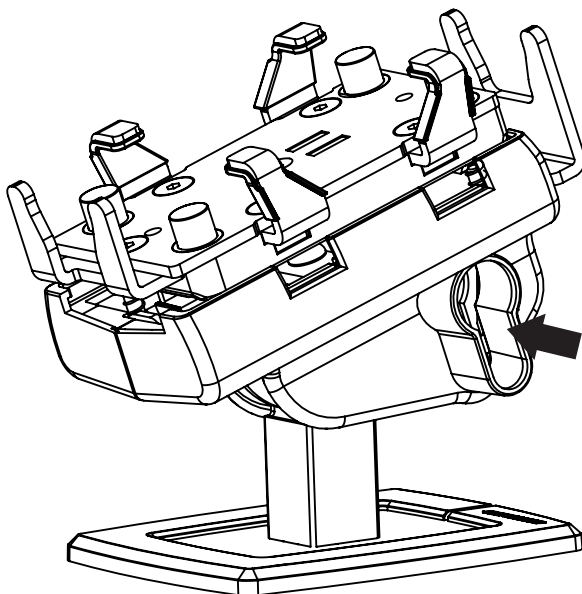


1. push the pin downwards

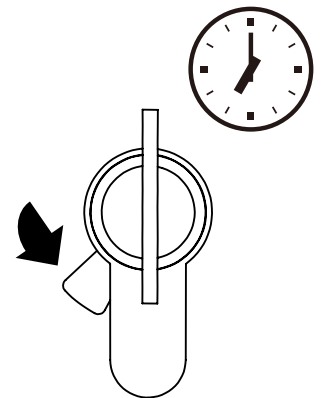
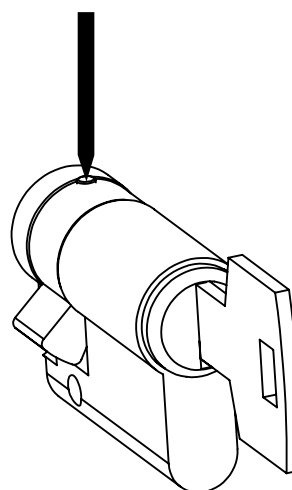


2. rotate cams to 11:00 o'clock.

Cams position for Gripzo T Universal and Gripzo T POS 360



1. push the pin downwards

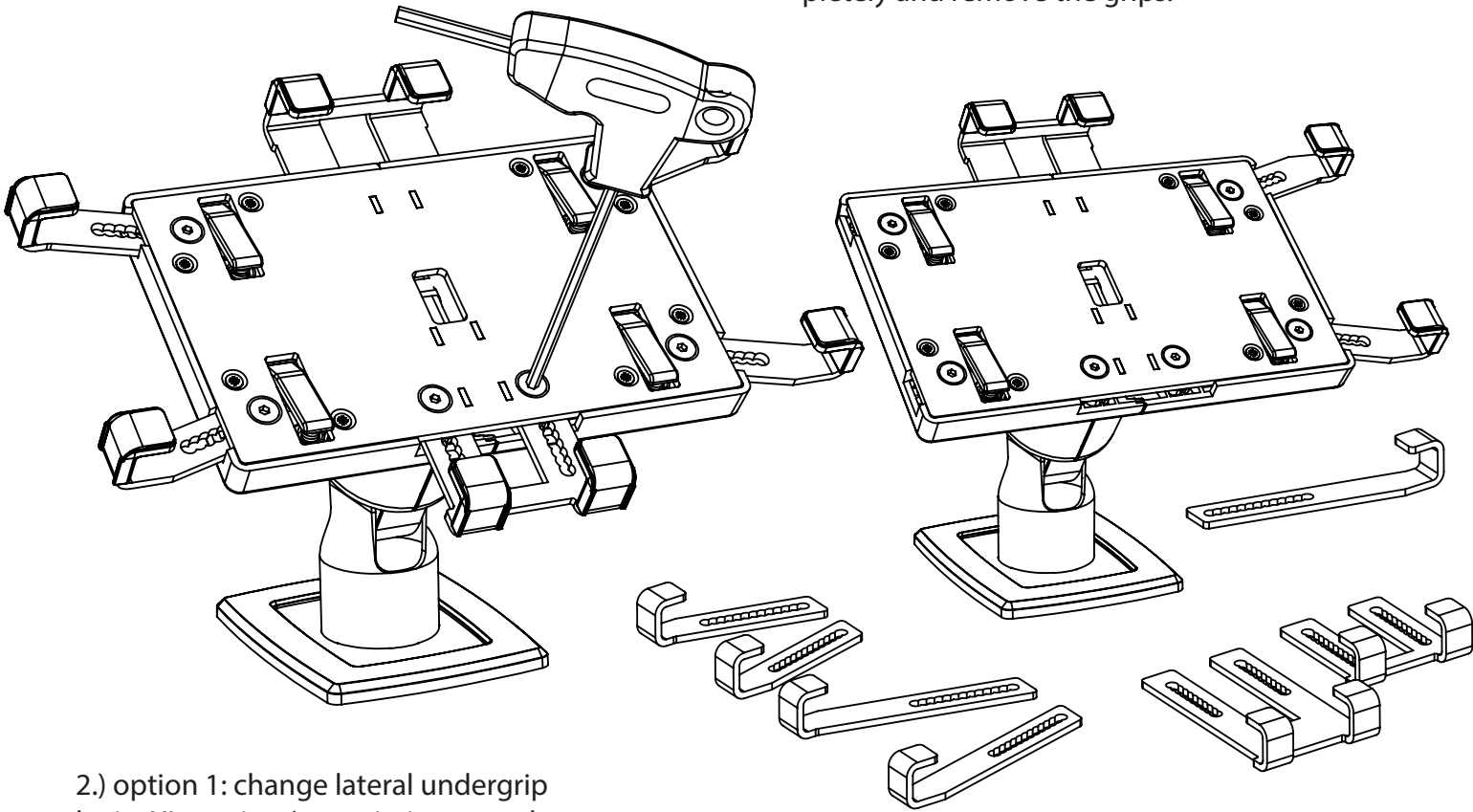


2. rotate cams to 7:00 o'clock.

Cams position for Gripzo Smartphone Grip

changing standard grips for an XL gripset

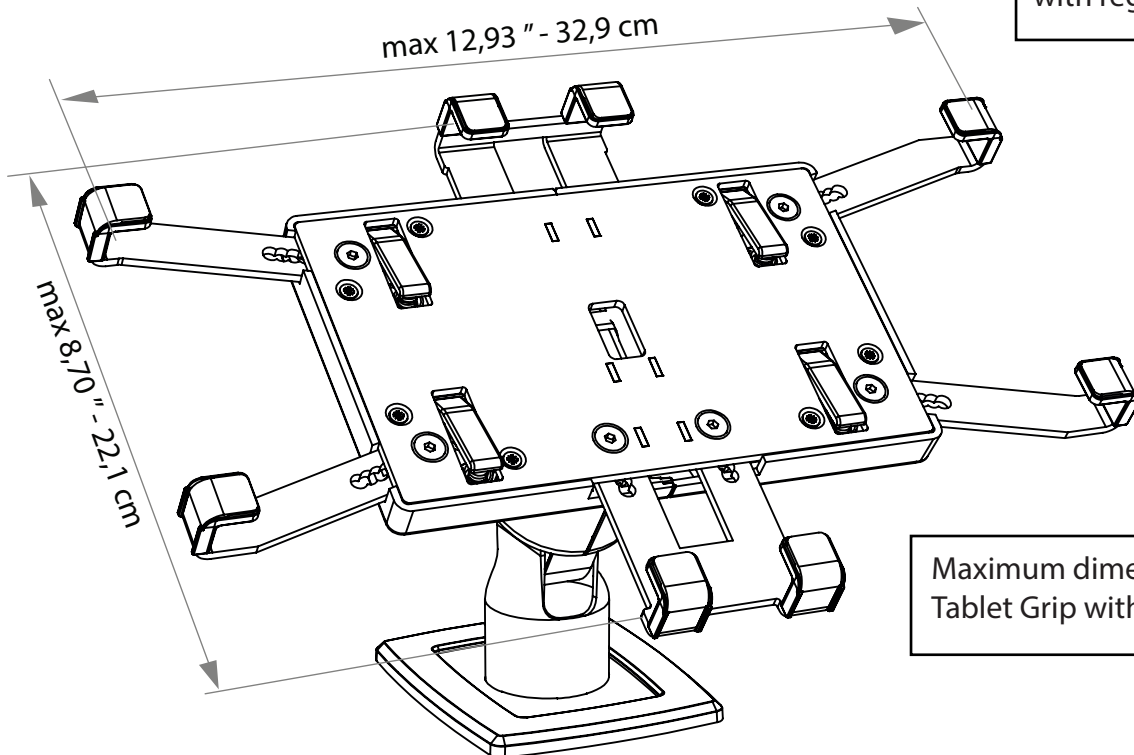
1.) unscrew the bolts completely and remove the grips.



2.) option 1: change lateral undergrip by its XL version (to optimize centralised position of the tablet; or better position of grips with respect to buttons of the tablets)

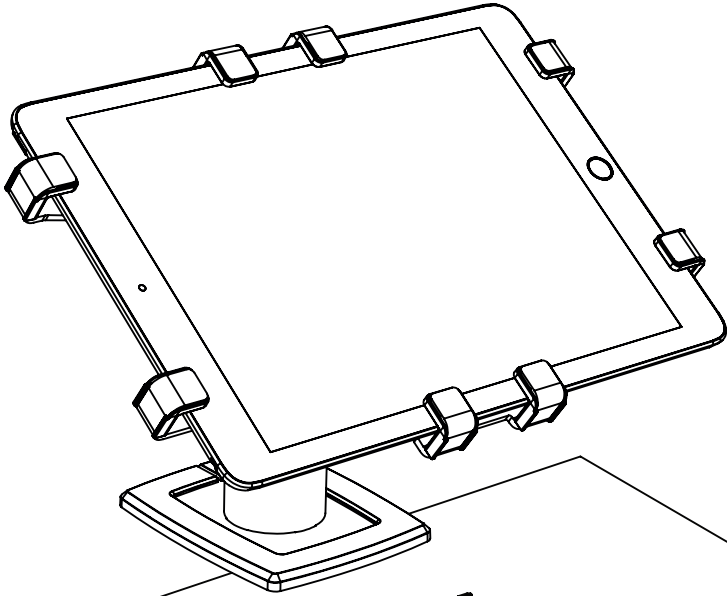
3.) option 2: change all grips by the XL version of these grips.

Please note: No need to change the upper grip. This has the same dimensions with regular and XL grips.

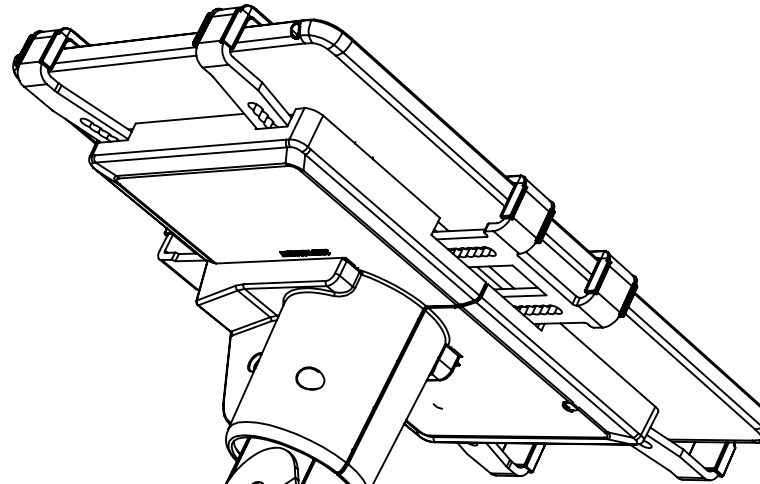
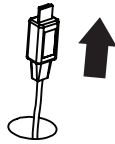


Maximum dimensions Gripzo Tablet Grip with XL grip set

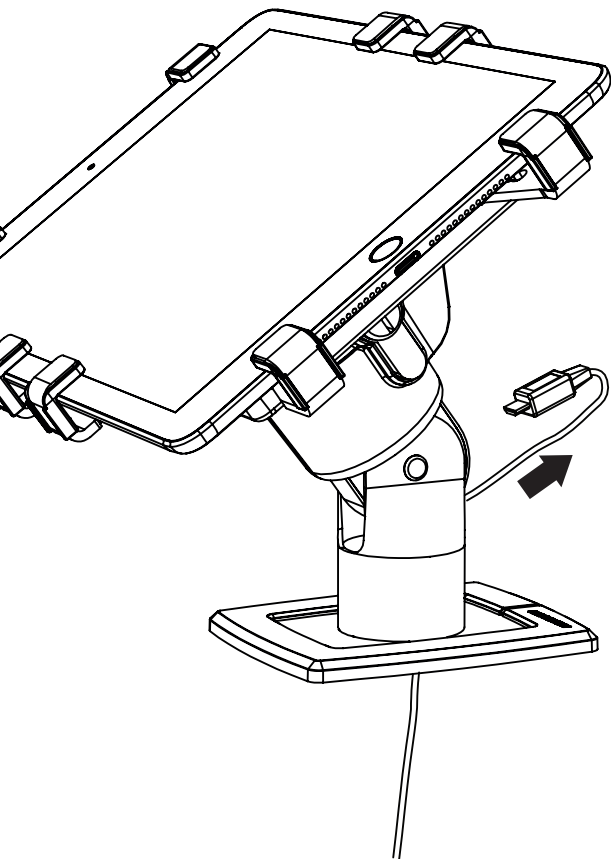
implement chargingcable



1.) Lead charging cable through cable entry hole in the display table



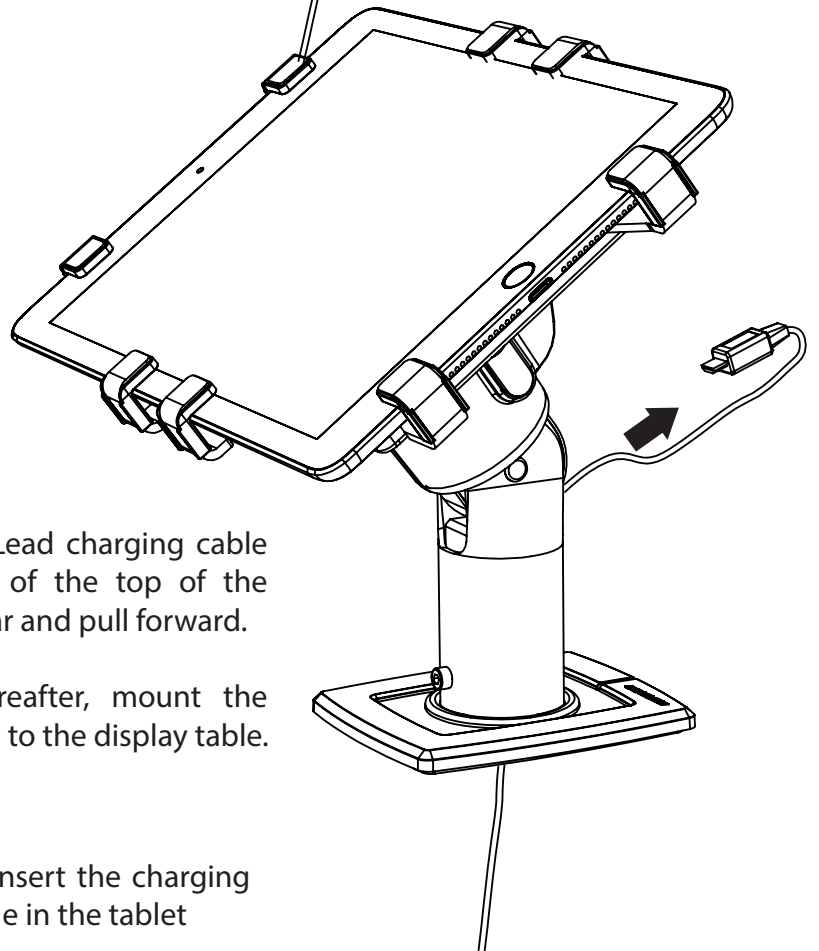
2.) Lead charging cable through the pole.



3.) Lead charging cable out of the top of the pillar and pull forward.

Thereafter, mount the grip to the display table.

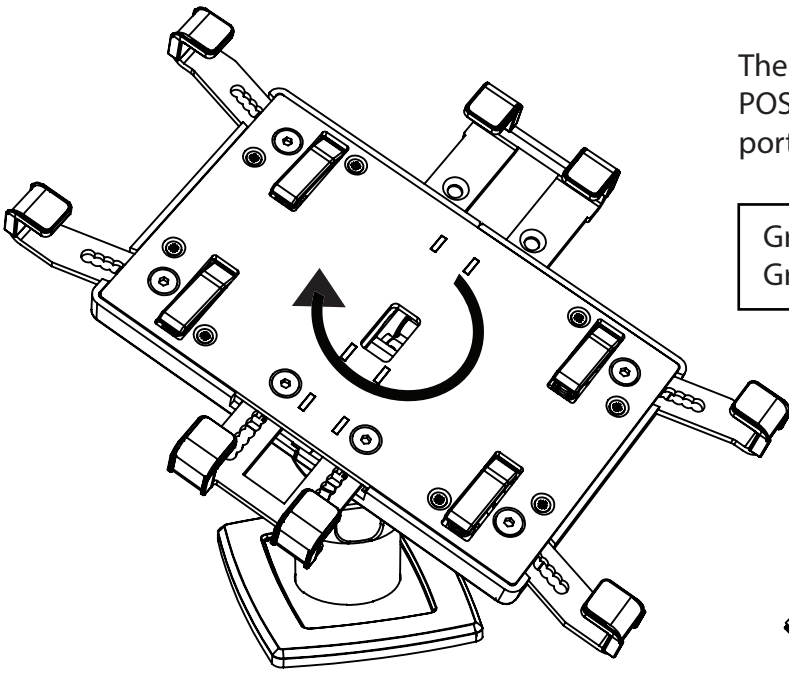
4.) Insert the charging cable in the tablet



Swivel and Rotation functionality

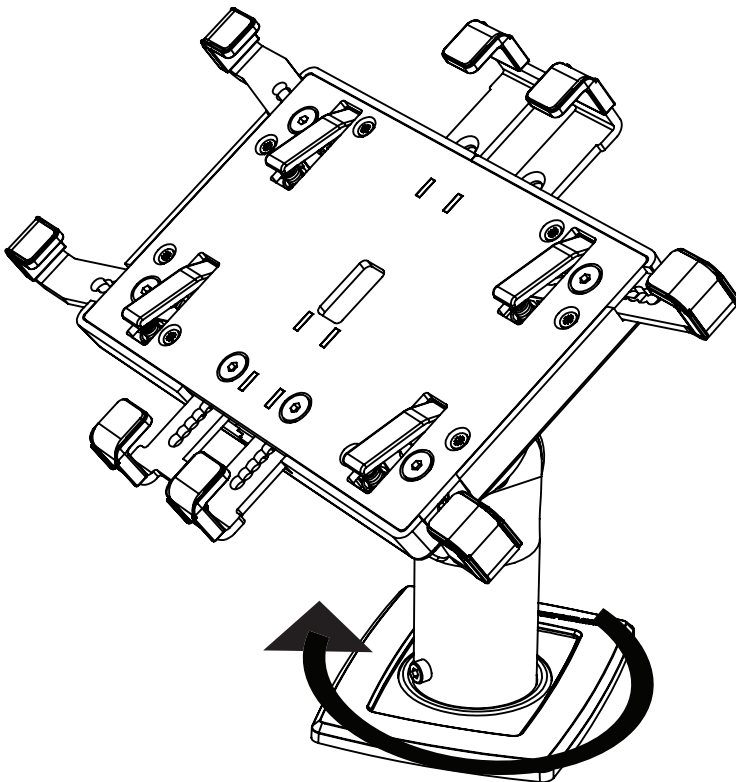
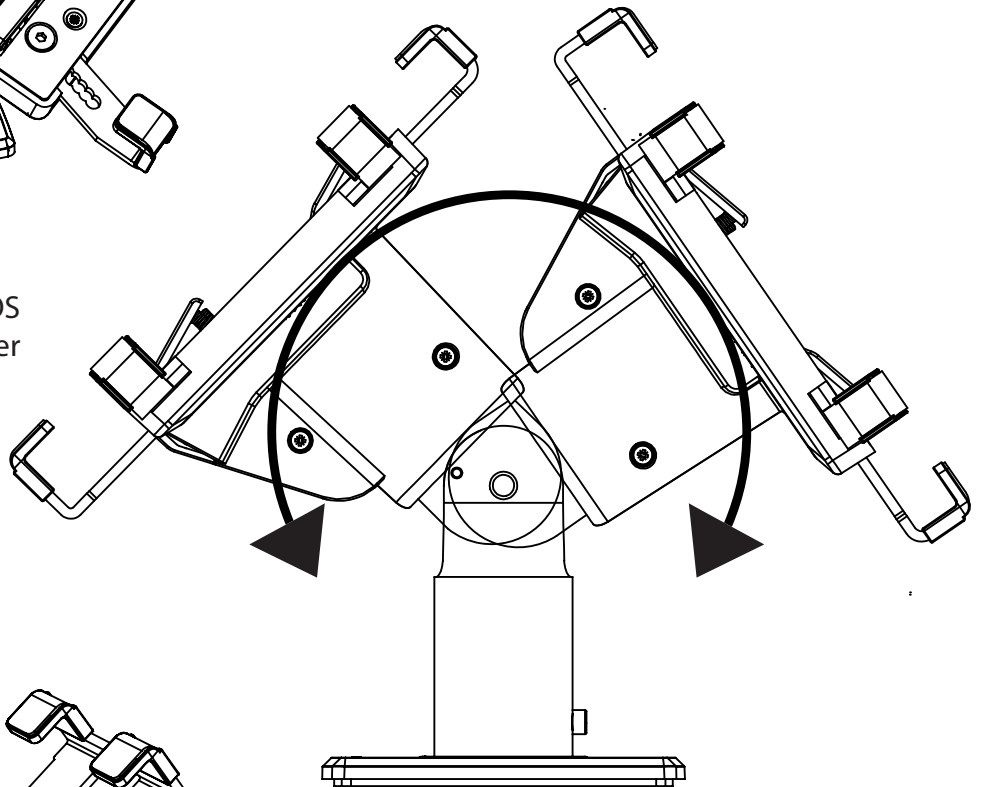
The Universal Tablet grip and the POS Tablet grip can rotate over 90°; portrait to landscape position.

Gripzo T Universal
Gripzo T POS



The POS Tablet grip and the POS 360 Tablet grip can swivel over 150°.

Gripzo T POS
Gripzo T POS 360

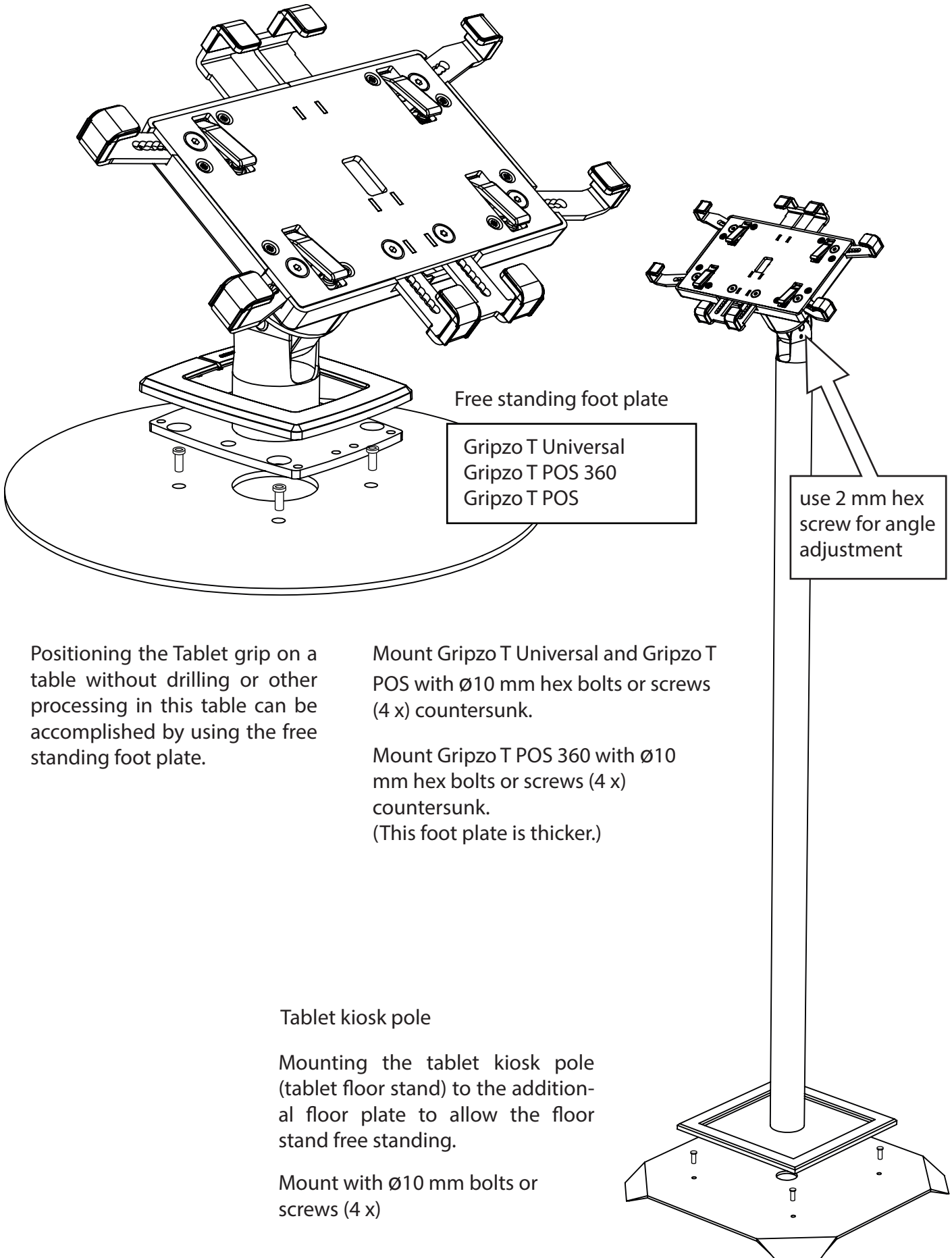


The POS 360 tablet grip can rotate on the foot 360°.

Please note: Cannot turn portrait - landscape

Gripzo T POS 360

Free standing Foot plates



Free standing foot plate

Gripzo T Universal
Gripzo T POS 360
Gripzo T POS

use 2 mm hex
screw for angle
adjustment

Positioning the Tablet grip on a table without drilling or other processing in this table can be accomplished by using the free standing foot plate.

Mount Gripzo T Universal and Gripzo T POS with $\varnothing 10$ mm hex bolts or screws (4 x) countersunk.

Mount Gripzo T POS 360 with $\varnothing 10$ mm hex bolts or screws (4 x) countersunk.
(This foot plate is thicker.)

Tablet kiosk pole

Mounting the tablet kiosk pole (tablet floor stand) to the additional floor plate to allow the floor stand free standing.

Mount with $\varnothing 10$ mm bolts or screws (4 x)