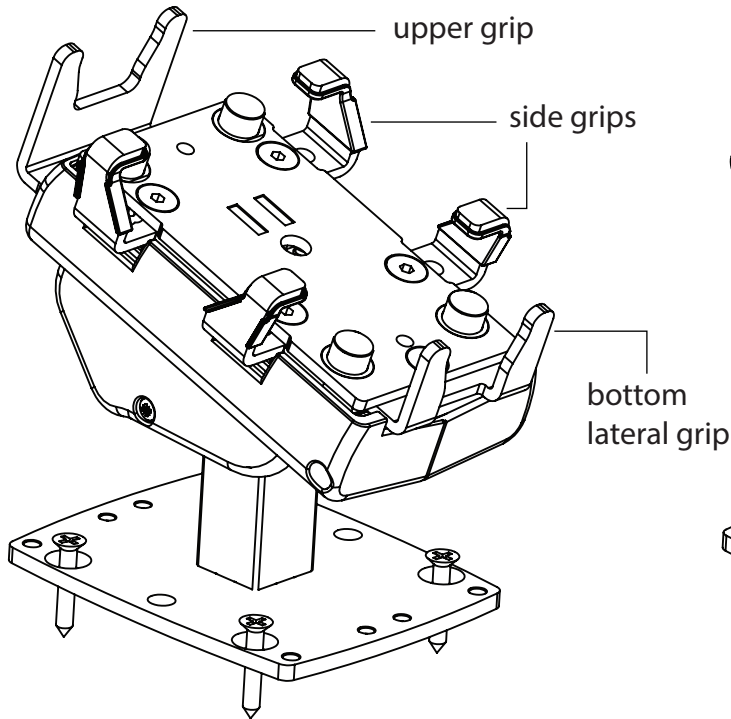
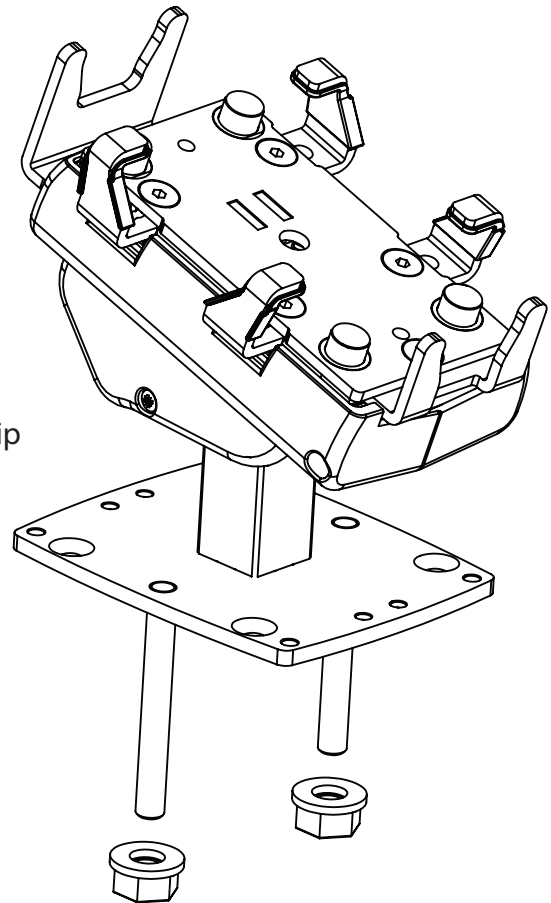


3 ways to mount the Gripzo Smartphone Grip

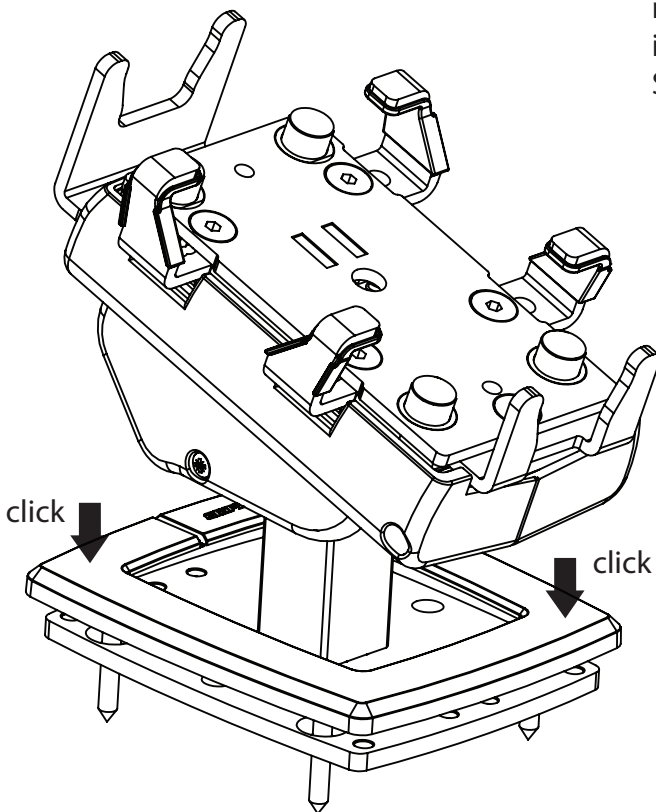


option 1.) Mount the screws through the baseplate.



option 2.) Mount the stud/bold from underneath the display table into the baseplate. Secure with a screw / nut.

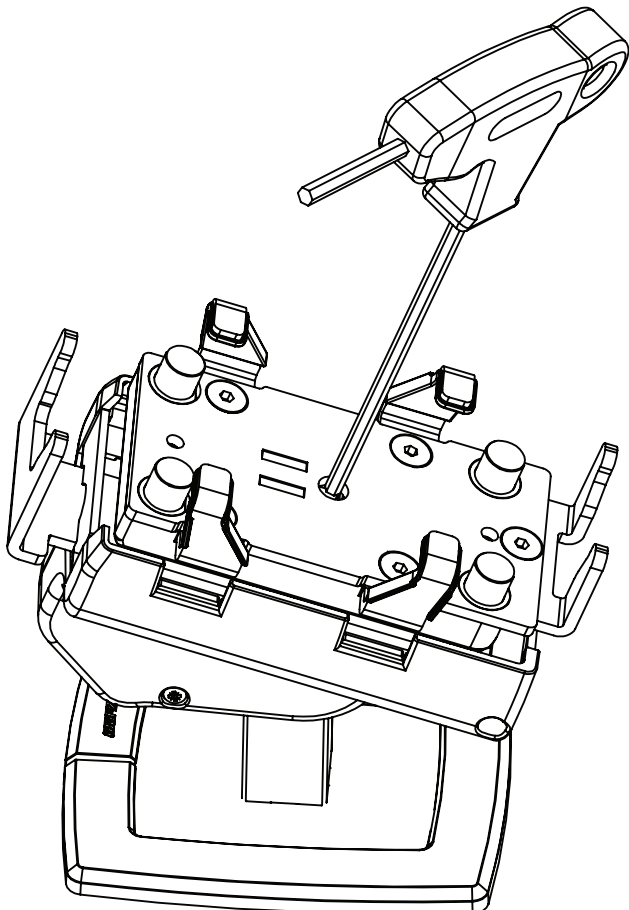
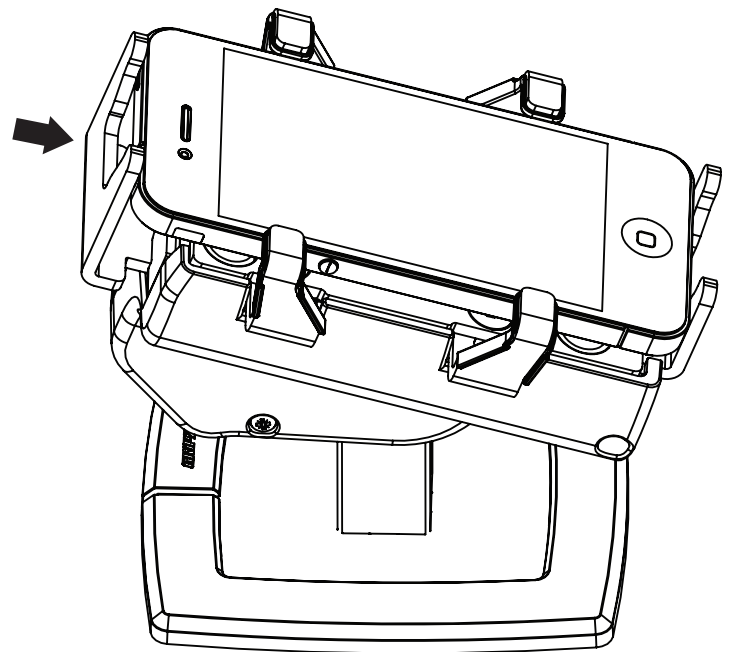
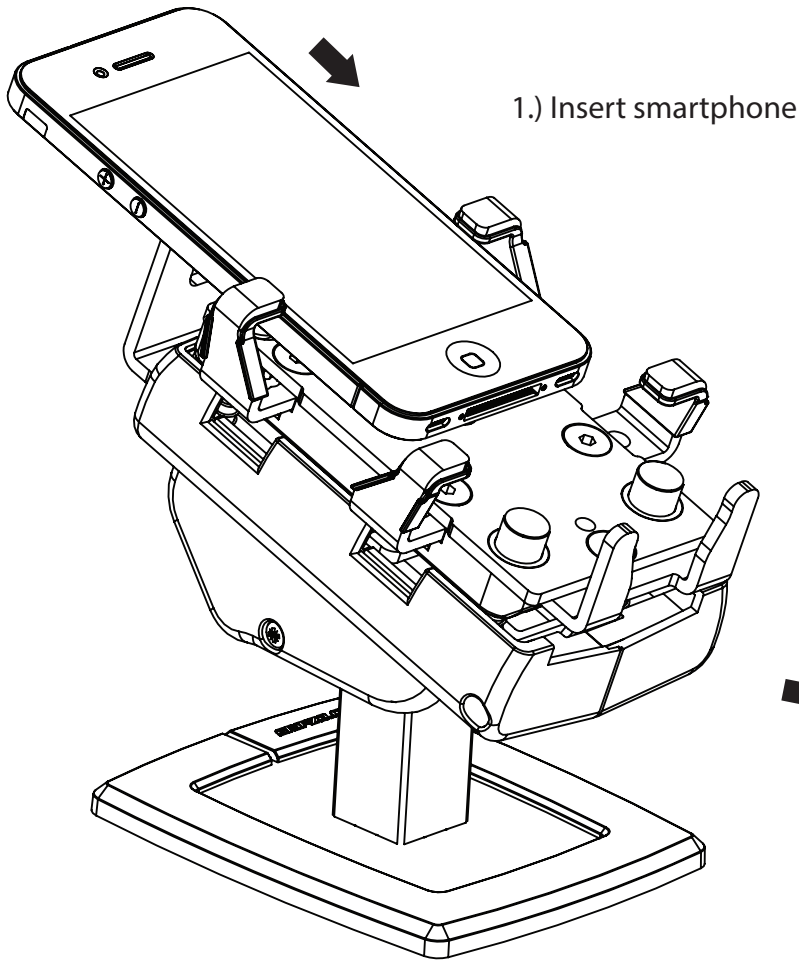
Note; make sure the bolts are level with the top of the baseplate and not through the baseplate.

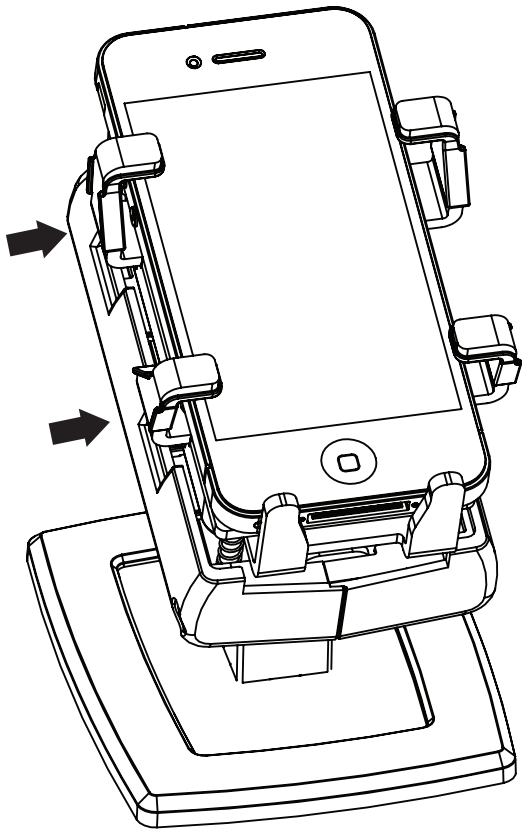


option 3.) Mount with strong self-adhesives in case drilling is not possible e.g. with glass surfaces.

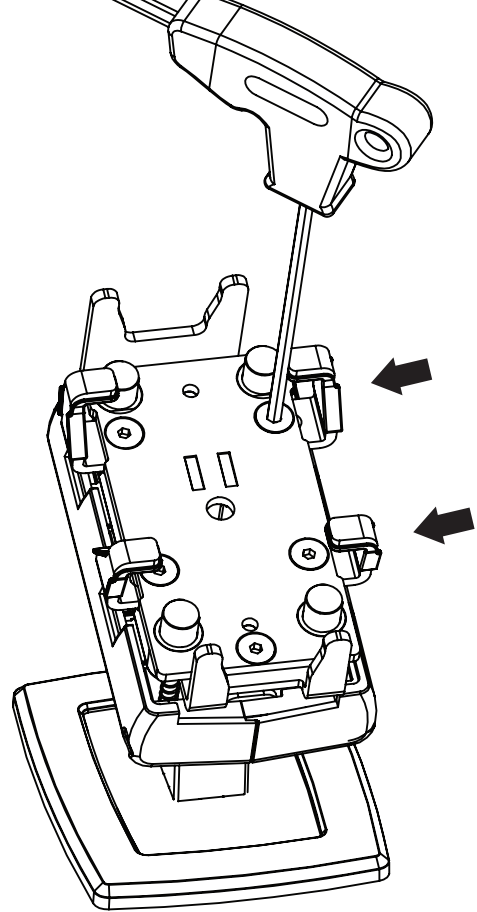
Click the cover plate on.

correct use of the Gripzo Smartphone Grip

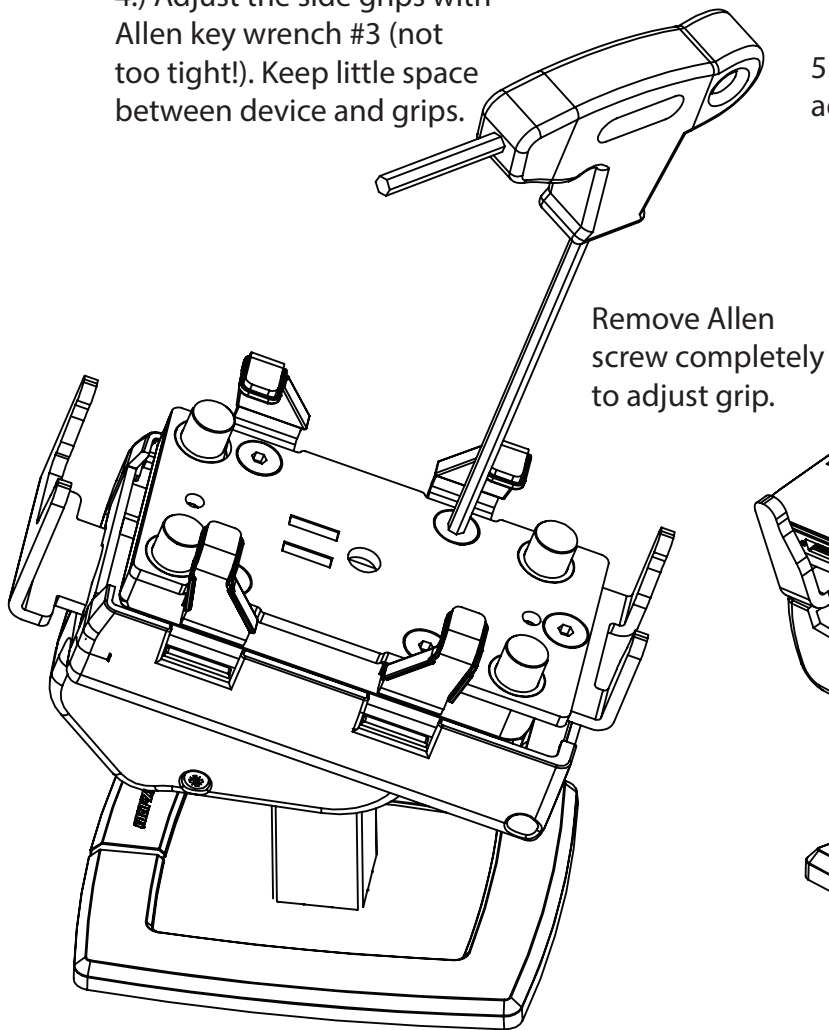




4.) Adjust the side grips with Allen key wrench #3 (not too tight!). Keep little space between device and grips.

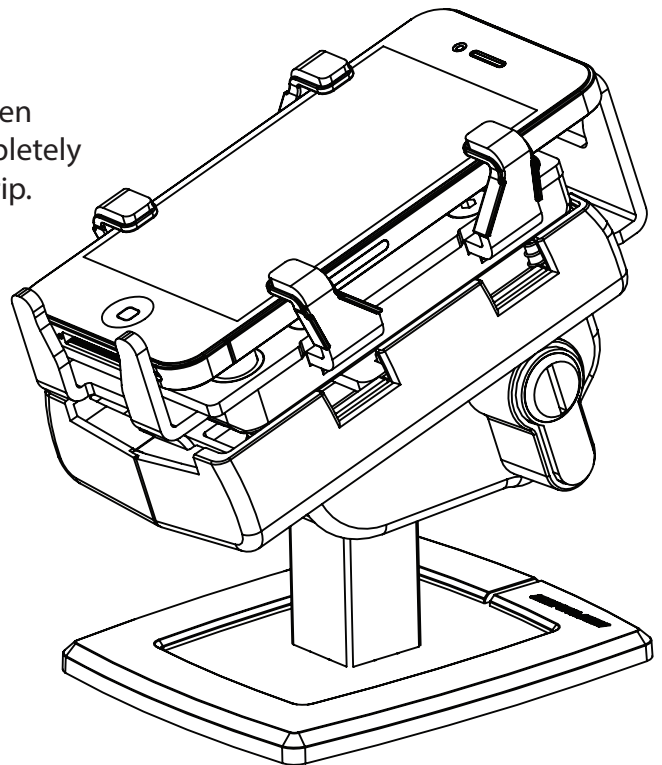


5.) Left- and right should be adjusted to the same space.

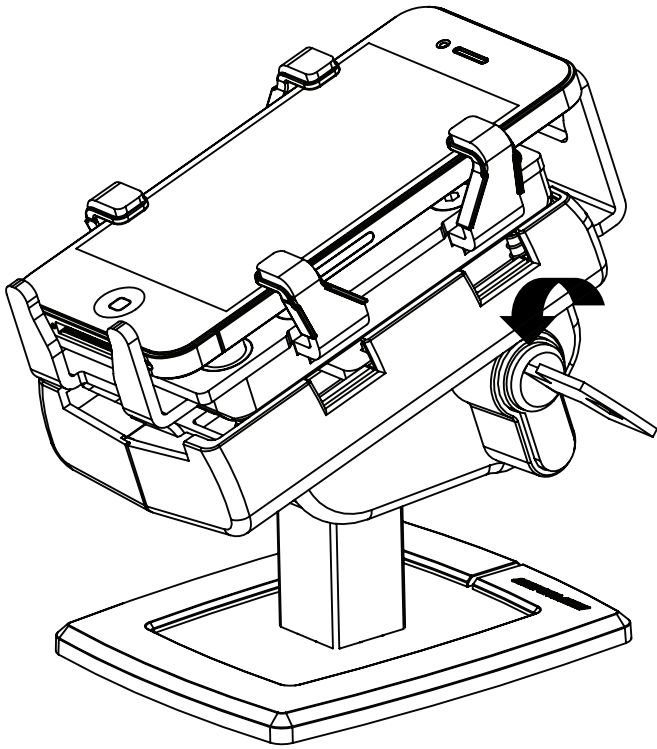


Remove Allen screw completely to adjust grip.

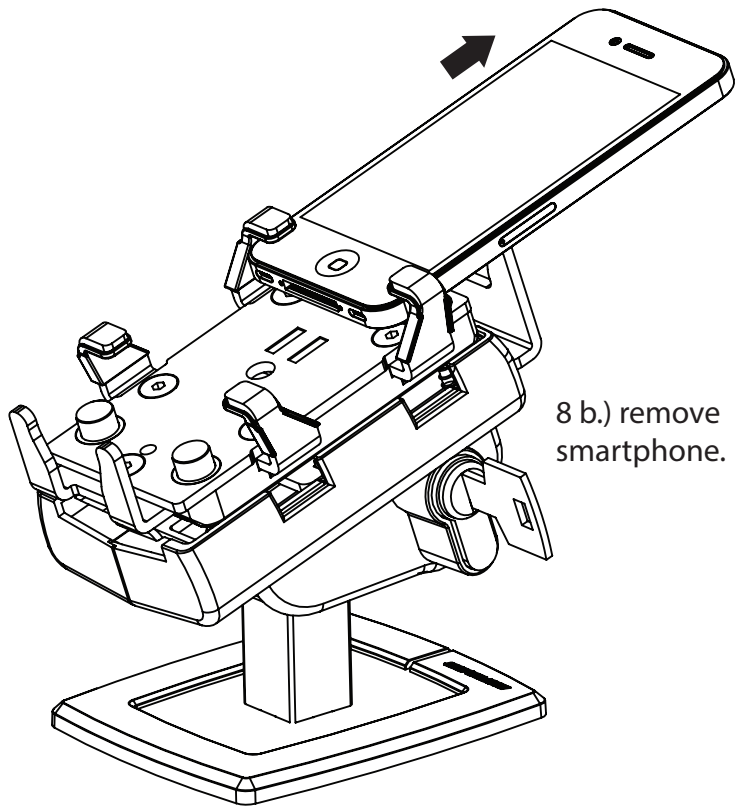
6.) Check Allen screws.



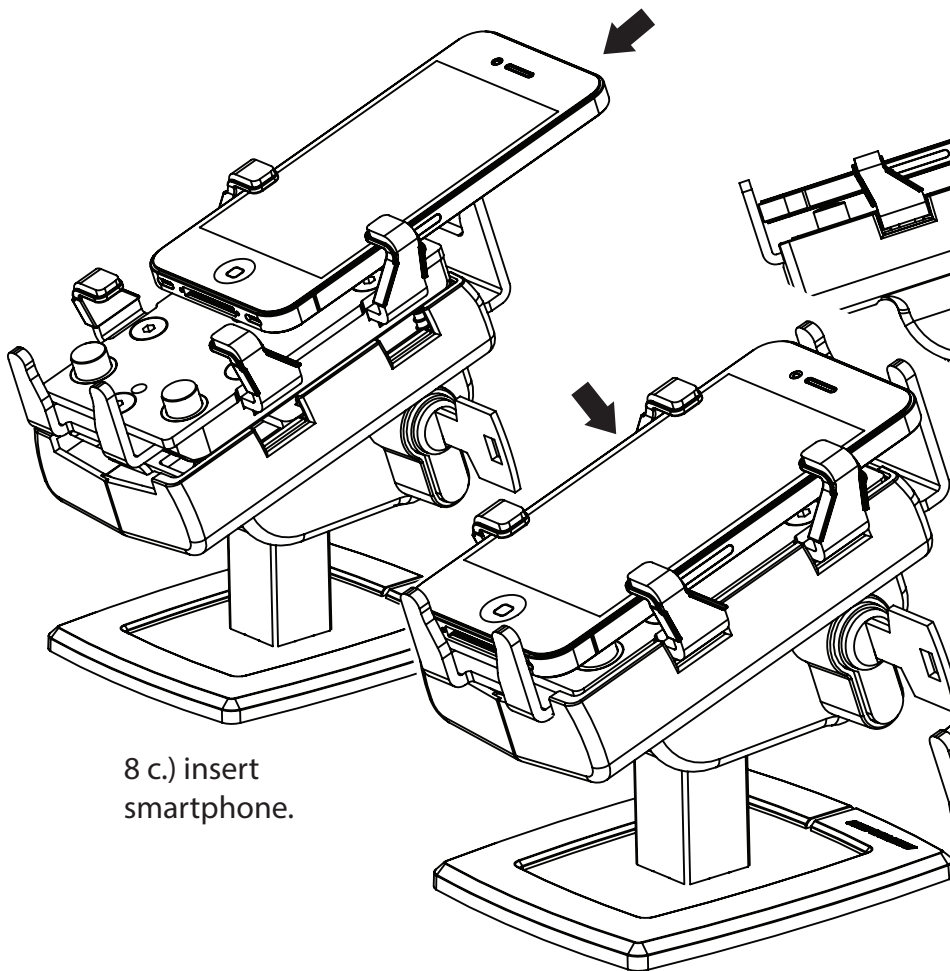
7.) Insert smartphone.



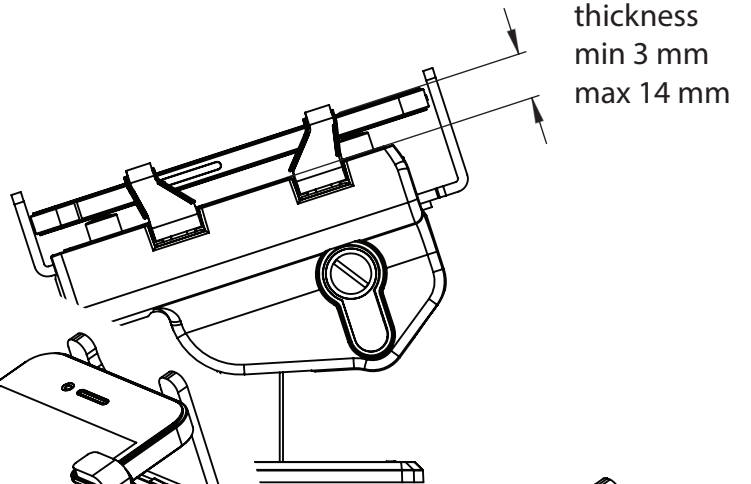
8 a.) turn the key to the left to unlock.



8 b.) remove smartphone.



8 c.) insert smartphone.

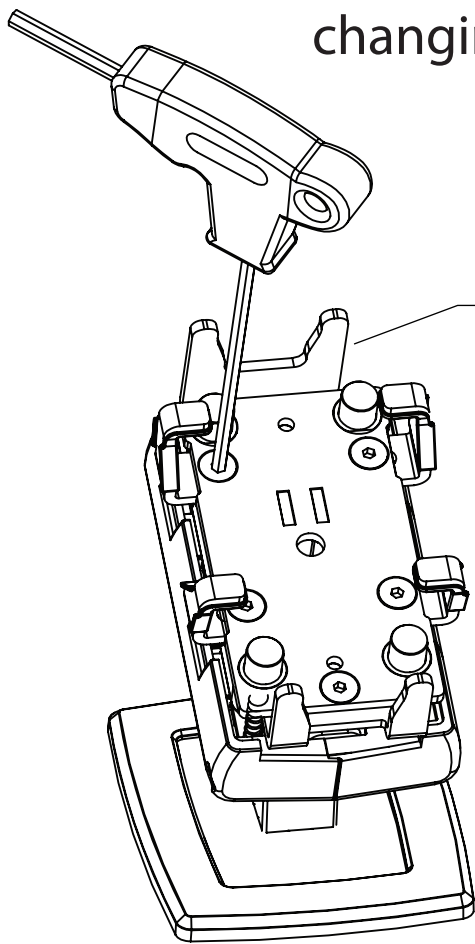


thickness
min 3 mm
max 14 mm

8 d.) push the grip down.

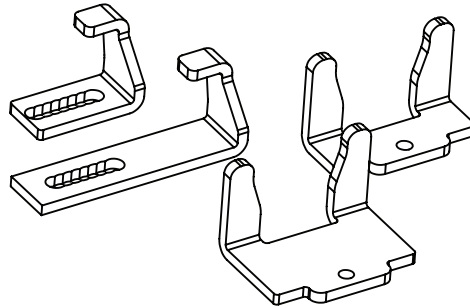
8 e.) remove key.

changing standard grips by XL grip set



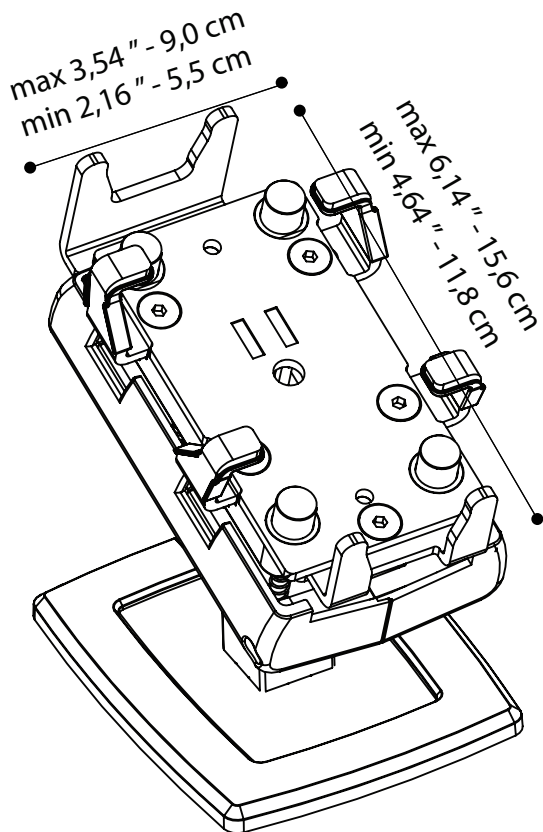
1) unscrew the bolts completely and remove the grips.

Upper grip is fixed.

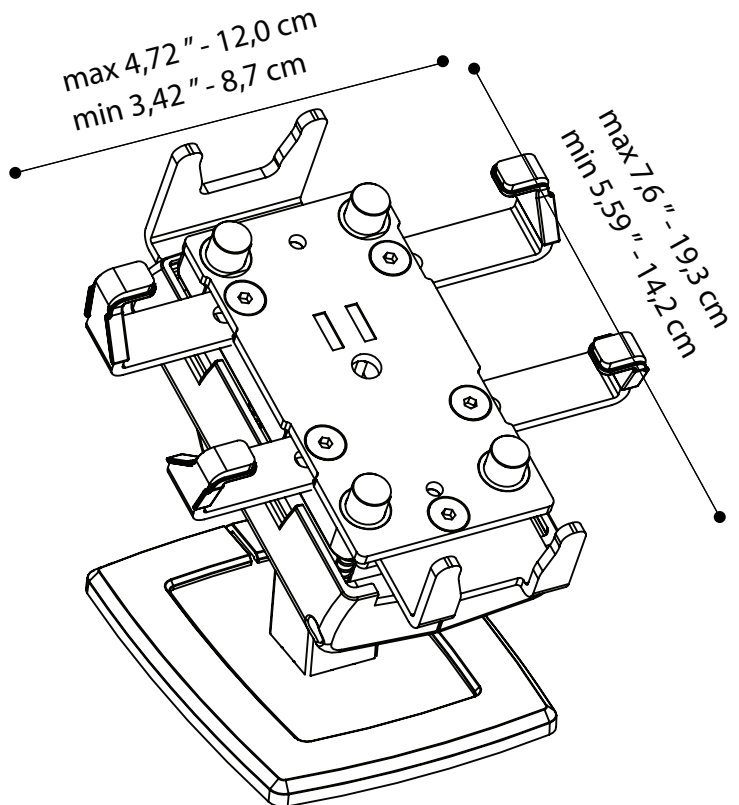


2) change all grips by the XL version of the grips.

Upper grip cannot be changed.



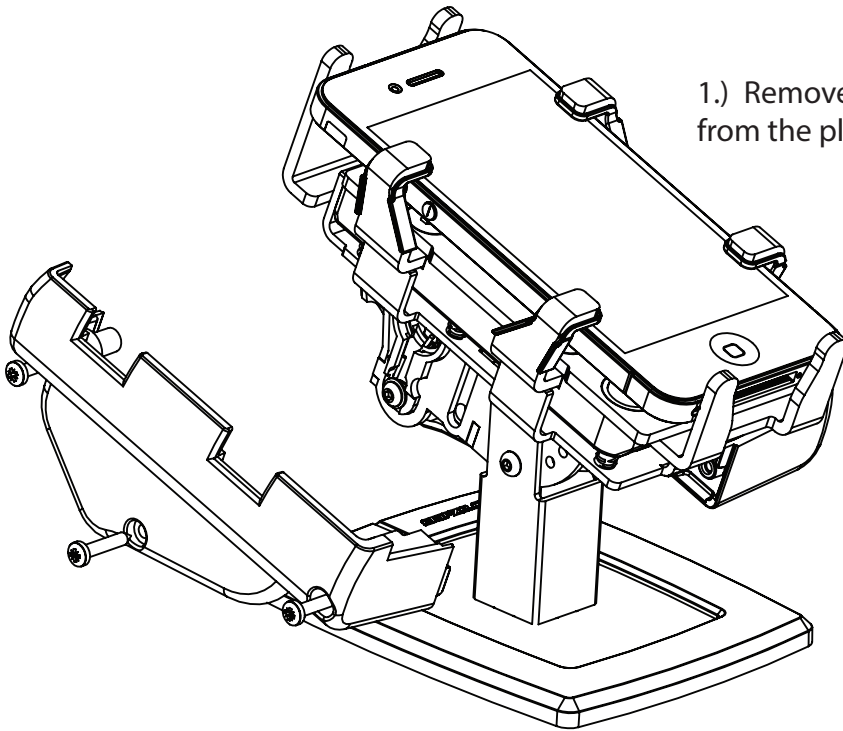
version with standard grips



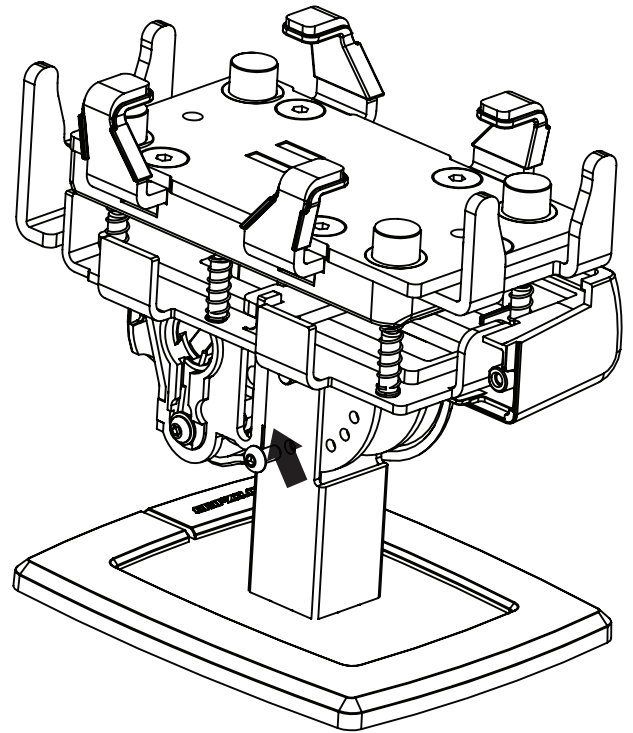
version with XL grips

TIP! changing the standard bottom lateral grip for an XL bottom grip can at times ensure that buttons on the side are free to use.

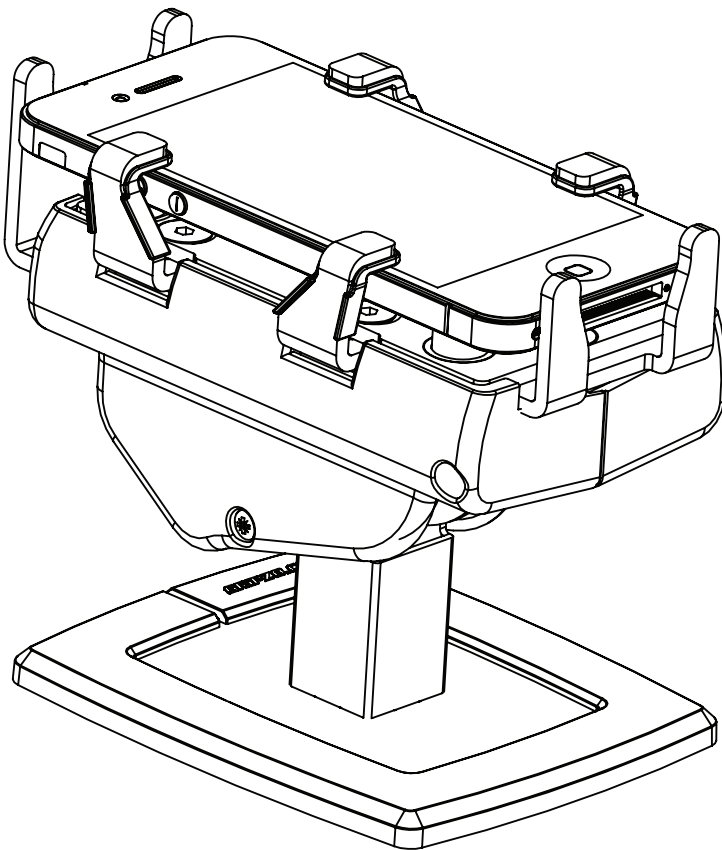
changing the representation angle



1.) Remove the 3 screws from the plastic housing.

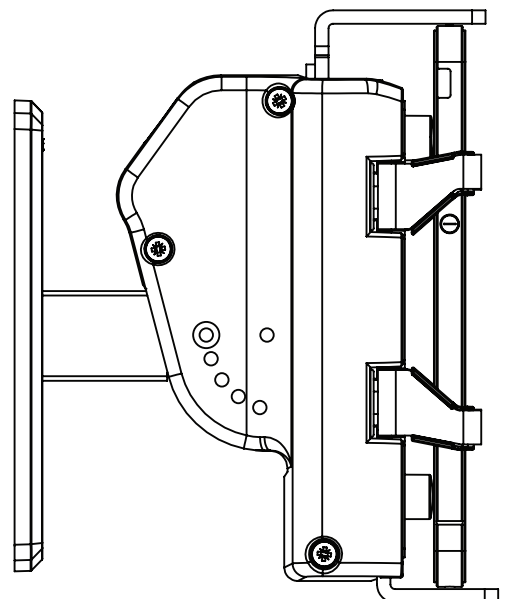


2.) Remove screw to adjust the presentation angle.

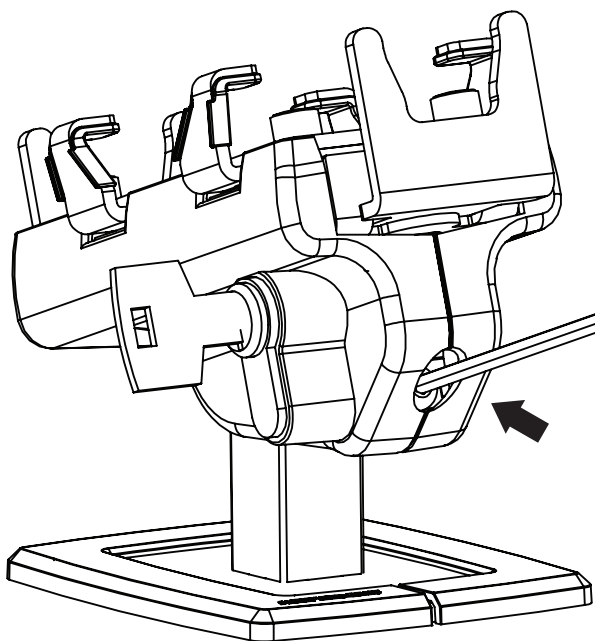


3.) Replace the plastic housing.

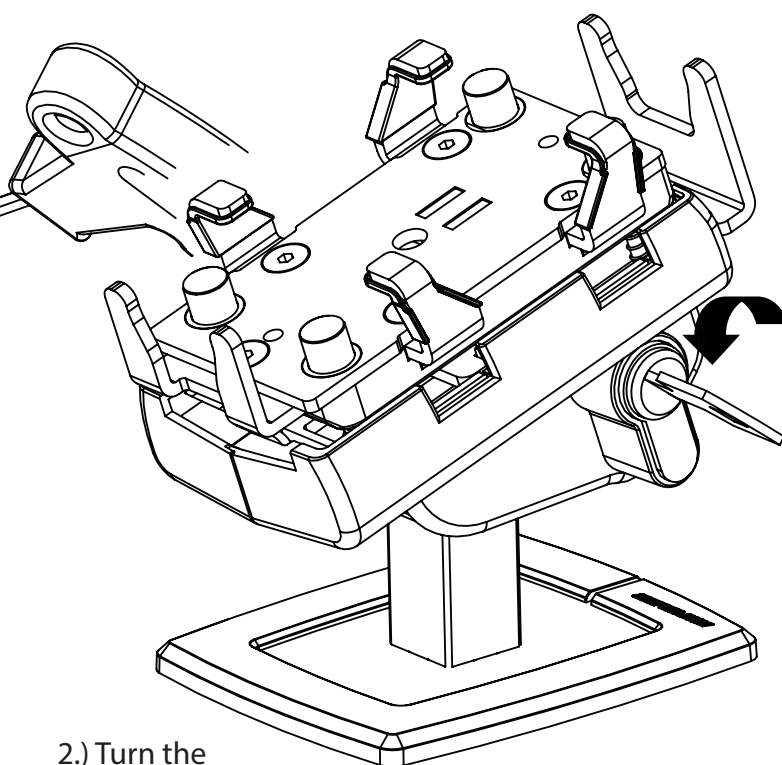
wall mount situation
(representation angle
parallel to wall)



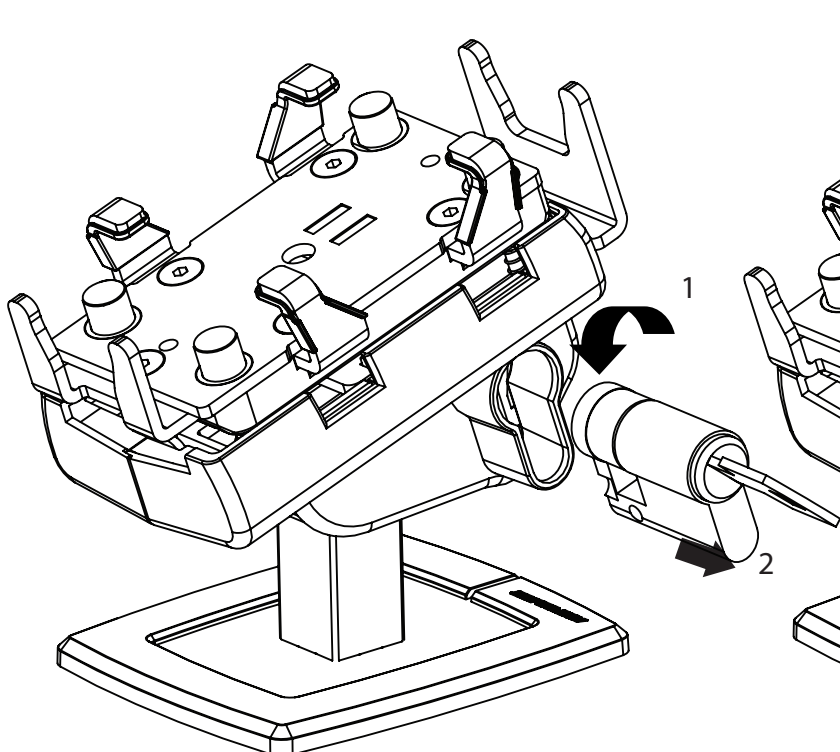
changing the lock



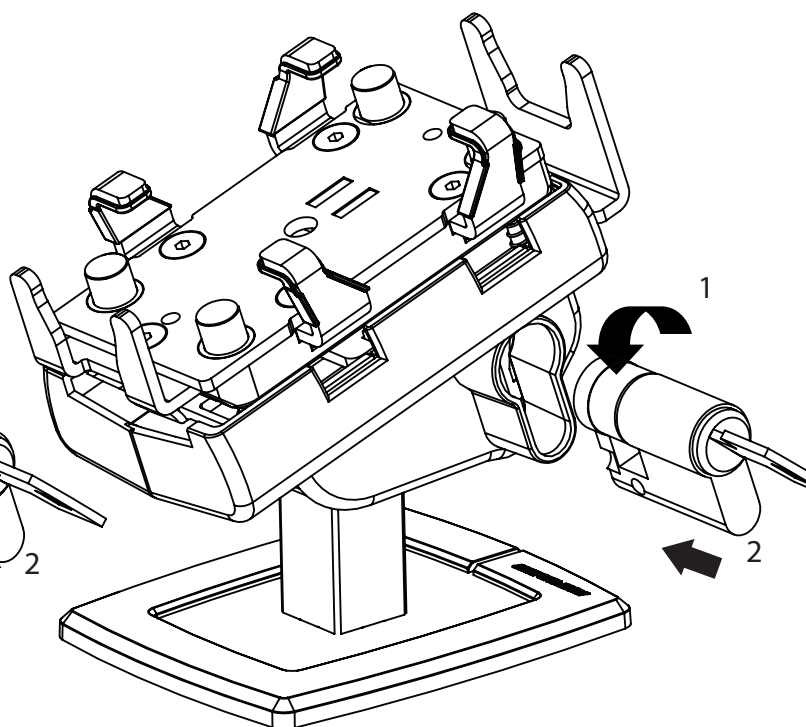
1.) Remove the screw completely and remove it from the grip.



2.) Turn the key to the left.

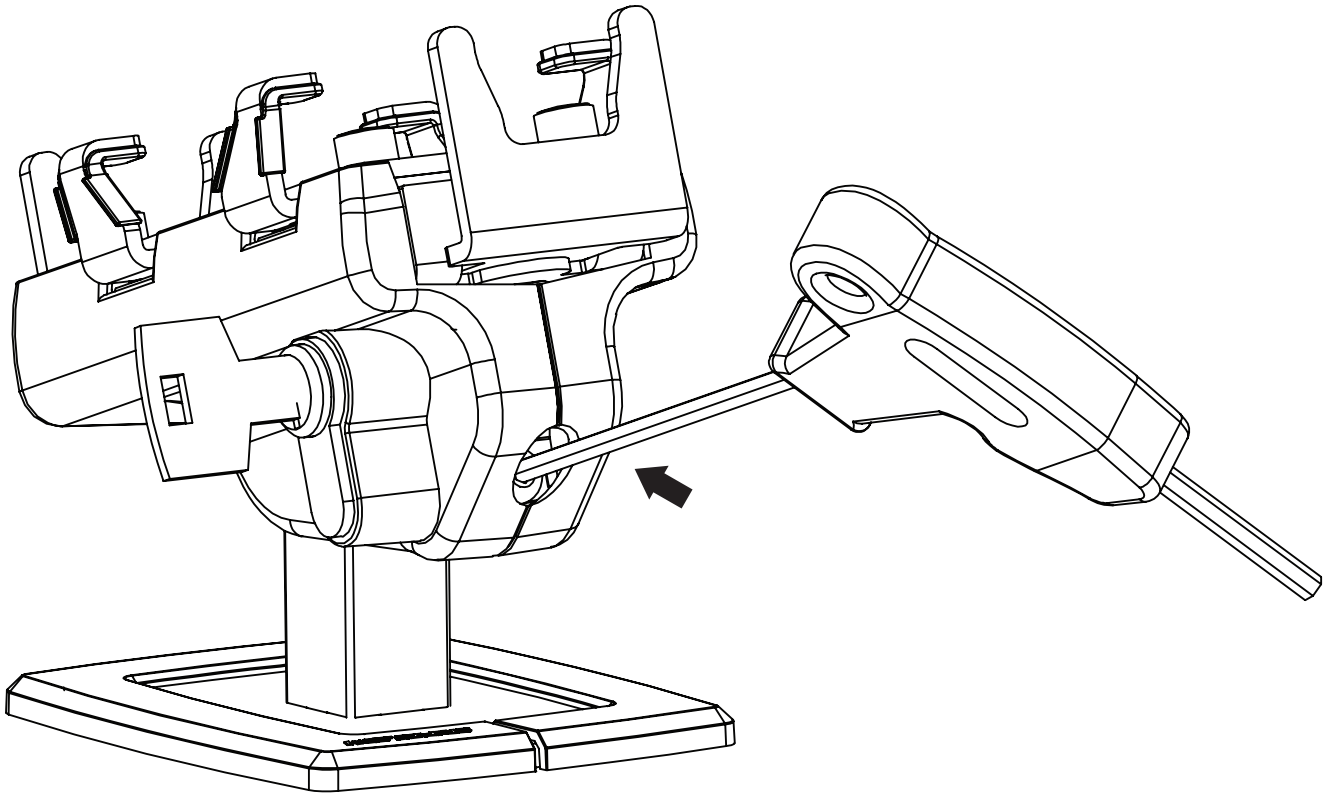


3.) Keep the key counterclockwise (1) and pull out the lock (2).



4.) Place the new lock, keep the key counterclockwise (1) and push it into the opening (2).
TIP ! Sometimes you need to wiggle a little bit and push.

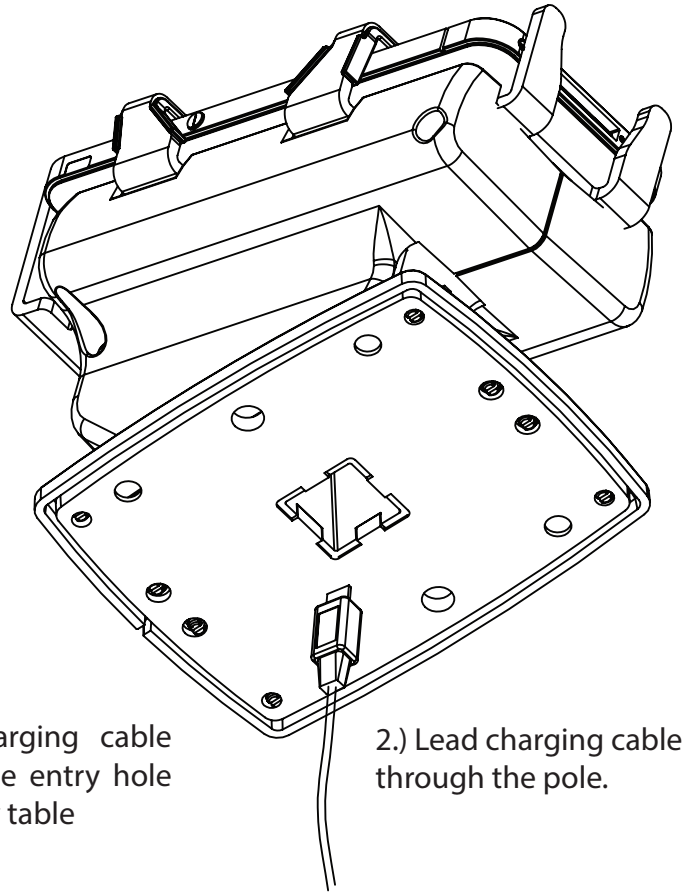
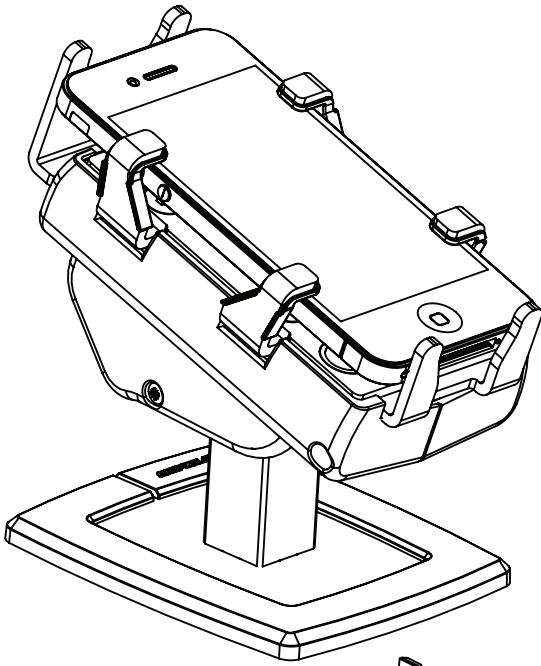
securing the lock thus guaranteeing smooth lock/key operation



Put the locking screw into the lock, make sure this is not too tight otherwise the lock will not rotate smoothly. Repeat few times, if necessary, until the lock runs smoothly.

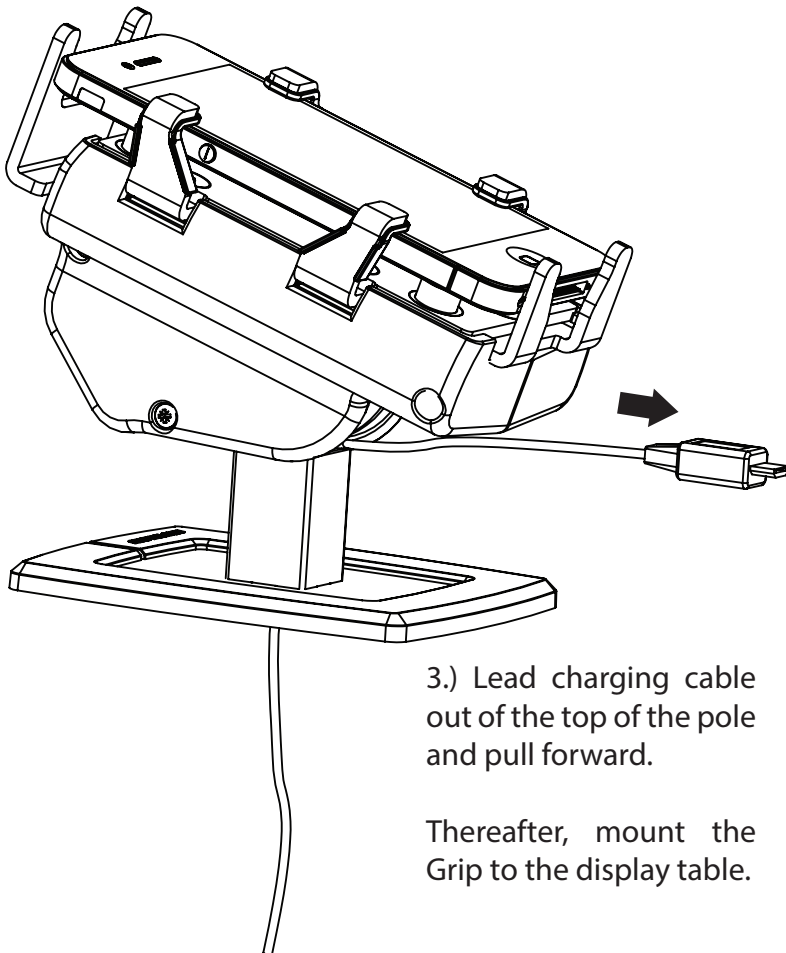
NOTE; proper function of the lock is very important for a correct functioning of the Grip.

implement chargingcable



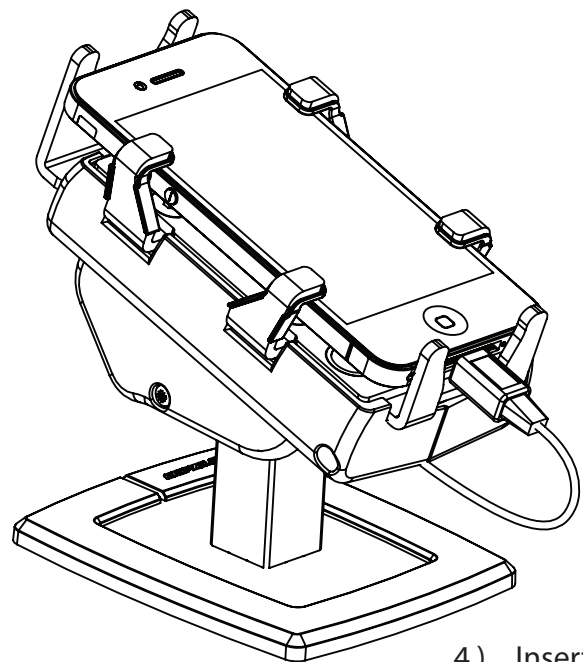
1.) Lead charging cable through cable entry hole in the display table

2.) Lead charging cable through the pole.



3.) Lead charging cable out of the top of the pole and pull forward.

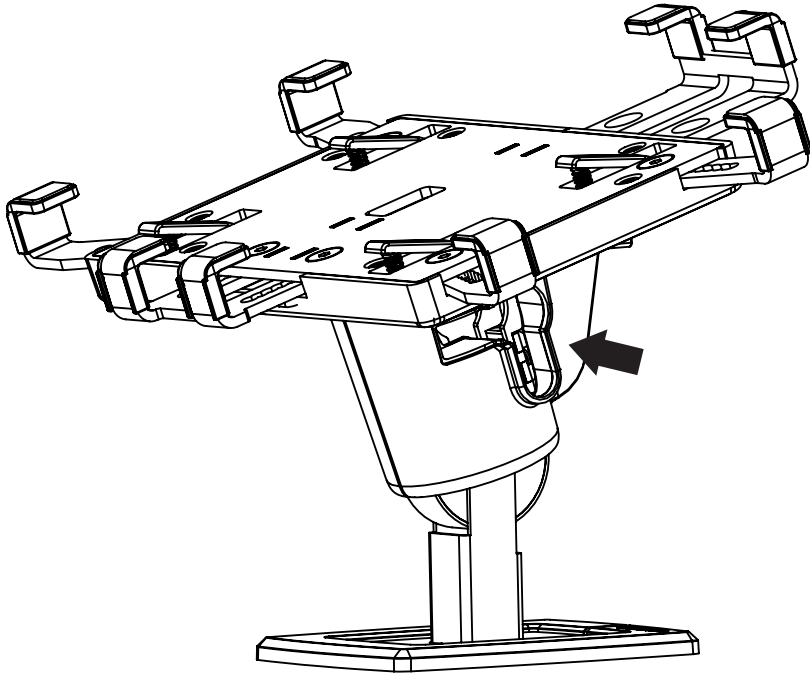
Thereafter, mount the Grip to the display table.



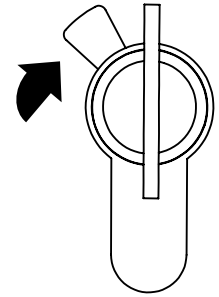
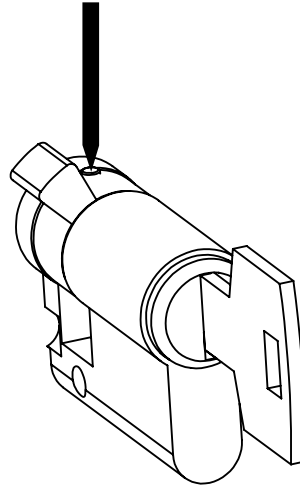
4.) Insert the charging cable

changing the lock Tablet - Smartphone

It is possible to exchange the lock from Tablet to Smartphone holder and vice versa. In that case notice that the cams is positioned correctly.

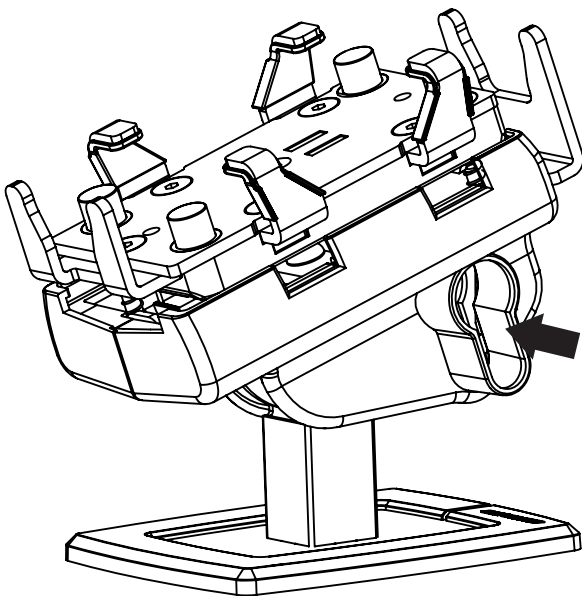


1. push the pin downwards

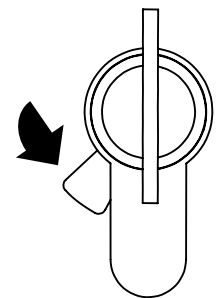
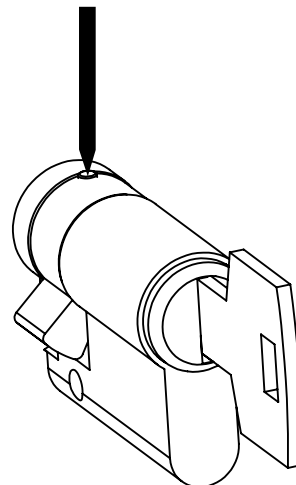


2. rotate cams to 11:00 o'clock.

Cams position for Gripzo Tablet Grip and POS Grip



1. push the pin downwards



2. rotate cams to 7:00 o'clock.

Cams position for Gripzo Smartphone Grip