

EVoline[®] Port Push





EVoline® Port Push

Push to open.

With the push-to-open function, all important connections are instantly available on the desktop at the touch of a finger. In the connected state, the EVoline Port Push disappears into the desk-top with a gentle push. The patented cover function allows the cables to pass through.



Patented cover function.
Fully retractable even when connected.



K
Freely configurable according to your wishes.



Always exchangeable.
Interchangeable modules for data and multimedia.

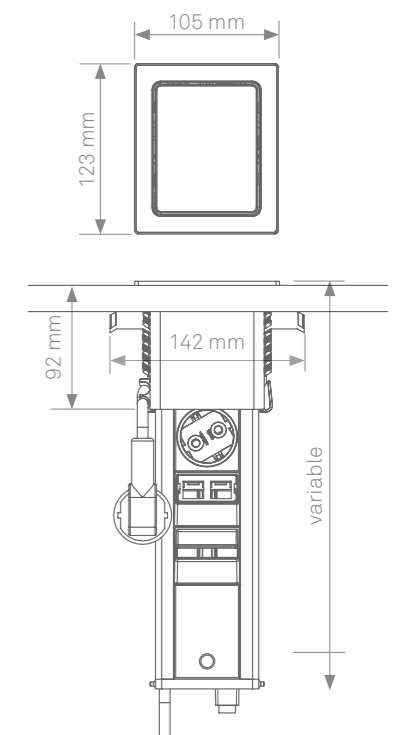
Surfaces match the ambience.



Glass: matt white Glass: glossy black Stainless steel: brushed



Fast and simple mounting.
For panel thicknesses from 10 - 50 mm.



EVOLine®

Schulte Elektrotechnik GmbH & Co. KG

Jüngerstraße 21
D-58515 Lüdenscheid

phone +49 23 51 / 94 81-0
fax +49 23 51 / 4 26 58

mail info@schulte.com
internet www.evoline.com

