

TRACE monitor mount



Shape a new experience



CREATE AGILE WORK ENVIRONMENTS THAT HELP PROMOTE HIGHER PERFORMANCE, WELL-BEING AND EMPLOYEE SATISFACTION.

ergotron®

TECHNOLOGY OF MOVEMENT™



TRACE™ embraces personal workstyles and ergonomic needs in individual or shared workspaces by effortlessly shifting between users and tasks before returning to the natural home position.

Intuitive monitor adjustment with patented Constant Force™ Technology encourages healthy movement with a refined aesthetic that supports the look of any workspace. TRACE offers the assurance of a premium, 15-year warranty with minimal, environmentally friendly packaging that supports sustainability initiatives.

INTUITIVE ADJUSTMENT: TRACES A SET PATH FOR EASY MOVEMENT

REFINED AESTHETICS: ADDS UNIFORMITY AND A CLEAN LOOK WITH INTEGRATED CABLE MANAGEMENT

EFFICIENT INSTALLATION: INCLUDES PRE-ASSEMBLED CLAMP AND COUNTERBALANCE INDICATOR FOR PRECISE SET-UP

ADAPTABLE CONFIGURATION: CONVERTS TO A DUAL OR SINGLE MONITOR MOUNT TO MEET EVOLVING NEEDS

QUALITY DESIGN: INCLUDES 15-YEAR WARRANTY; BIFMA LEVEL® 2 AND CLEAN AIR GOLD CERTIFIED

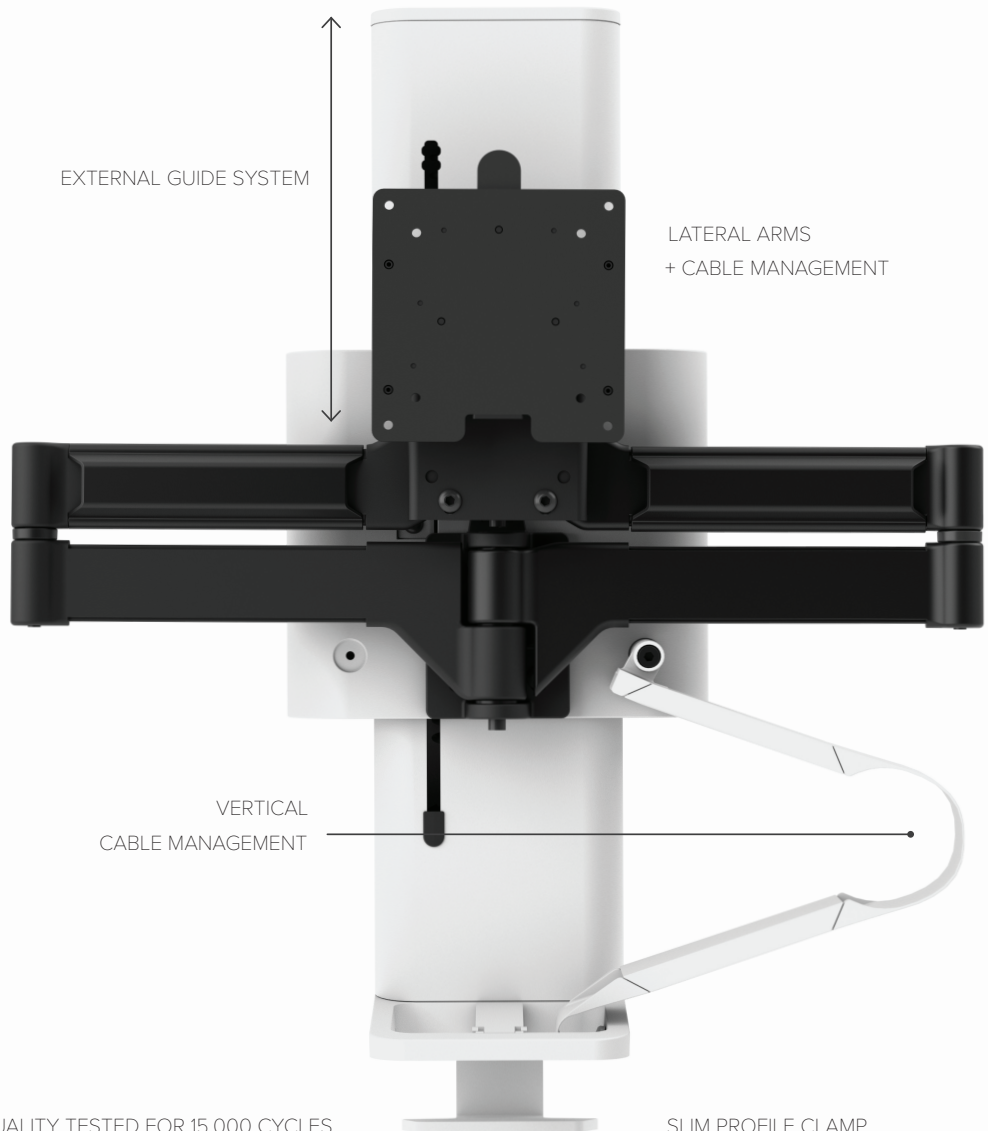
EXTERNAL GUIDE SYSTEM

LATERAL ARMS
+ CABLE MANAGEMENT

VERTICAL
CABLE MANAGEMENT

PROFESSIONAL-GRADE QUALITY TESTED FOR 15,000 CYCLES

SLIM PROFILE CLAMP



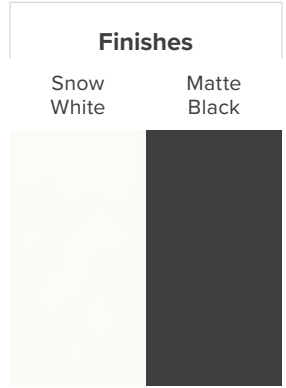
Single Monitor Mount with Slim Profile Clamp



45-657-251 (Snow White)



45-657-224 (Matte Black)



Dual Monitor Mount with Slim Profile Clamp



45-658-251 (Snow White)



45-658-224 (Matte Black)

Conversion Kits (Matte Black):

Single



47-109-224

Dual



47-110-224

Clamp Kits (Matte Black):

Panel



98-491-009

Grommet



98-492-009

Contact us to discover the full statement of line.



Sustainable packaging



As awarded by
The Chicago Athenaeum:
Museum of
Architecture and
Design



Download additional literature at ergotron.com/pro

For more information:

EMEA +31.33.45.45.600 / info.eu@ergotron.com

© Ergotron, Inc. 05.05.2023

Content subject to change.

Patent information available at www.ergotron.com/patents.

Ergotron devices are not intended to cure, treat, mitigate or prevent any disease.

