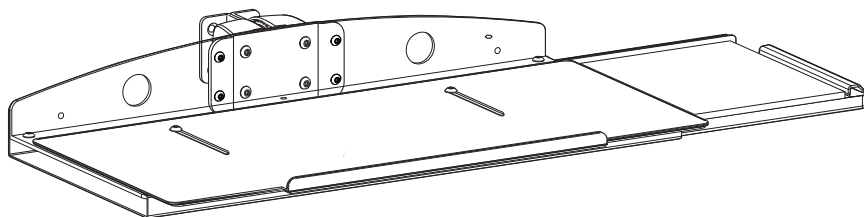
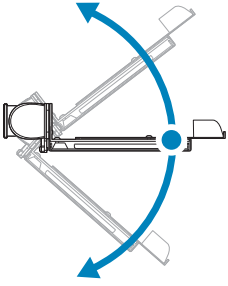


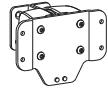
ergotron®

100 Series Keyboard Tray Pivot

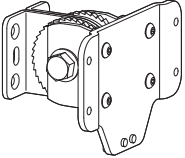
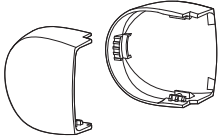

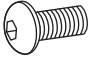


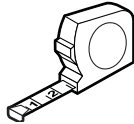
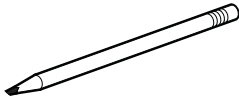


* Weight Capacity:

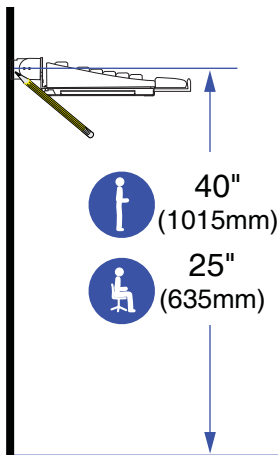


5 - 15 lbs
(2 - 6.8 kgs)

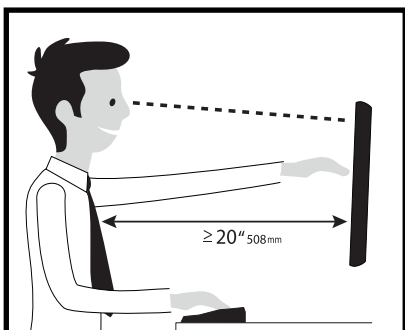
| | A | B |
|----------|-----------------------------------------------------------------------------------------|----------------------------------------------------------------------------------------------------------|
| 1 |  |  |
| 2 |  3/32" | 4x  8-32 x 5/16" |



1 Mounting Height for Ergonomic Workstation

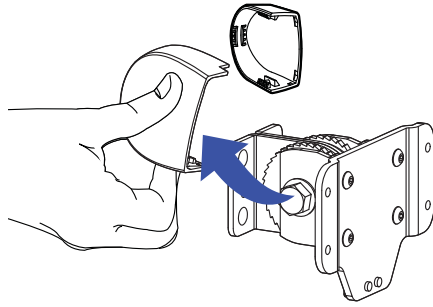


This mounting height is a recommendation for an ergonomic workstation. If user elbow heights are different than this, you should change mounting height to accommodate user elbow heights. (Change mounting height one inch for every one inch difference in user elbow heights).

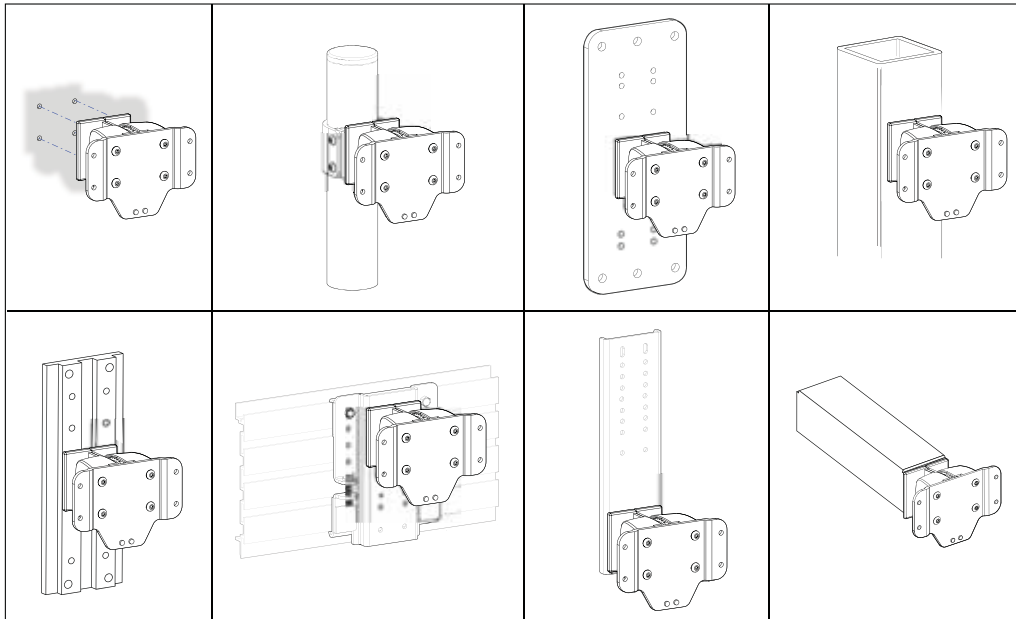


Learn more about ergonomic computer use at: www.ergotron.com/ergonomics

2 Remove pivot covers if already attached.

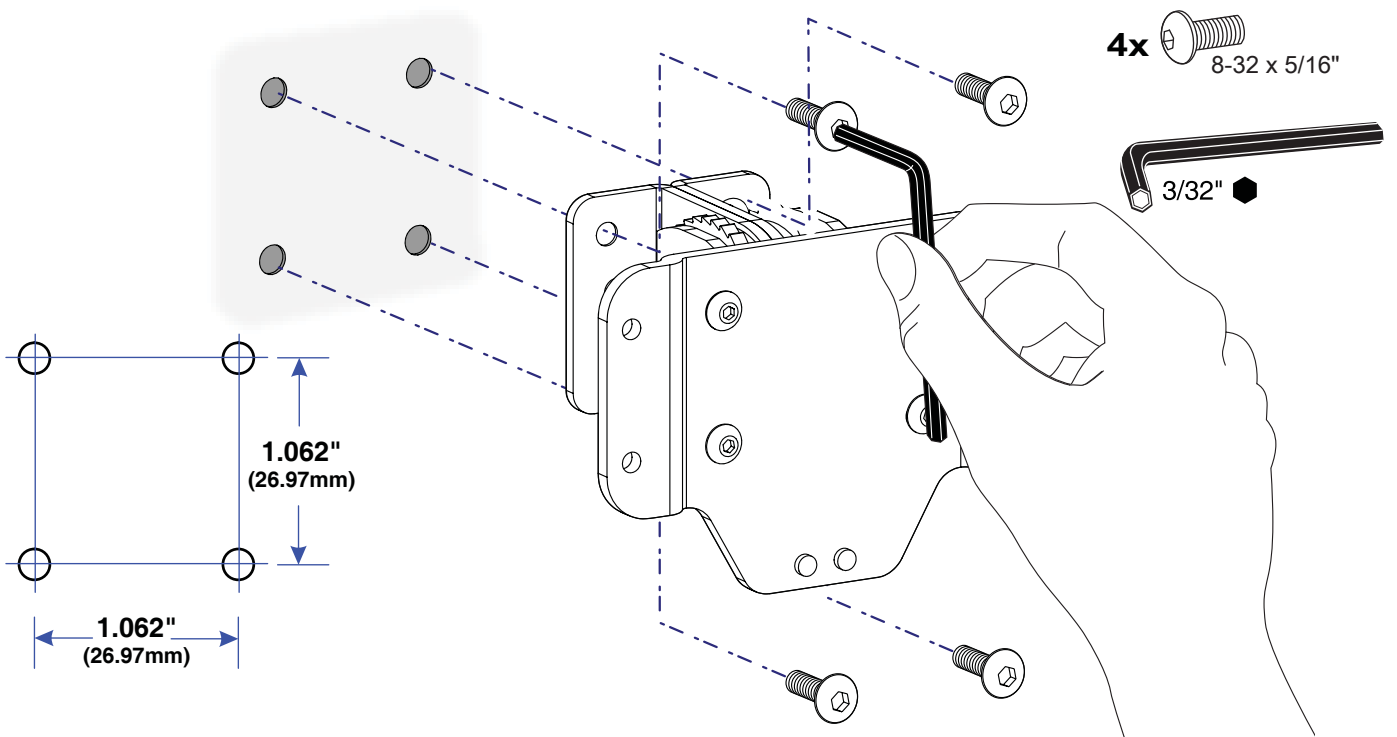


3

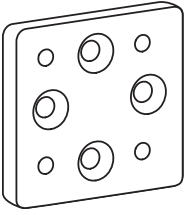


Because vertical surfaces vary widely and the ultimate mounting method is out of Ergotron's control, it is imperative that you consult with appropriate engineering, architectural or construction personnel to ensure that the Arm is mounted properly to handle applied loads.

Aangezien verticale oppervlaktes zeer verschillend kunnen zijn en Ergotron geen controle heeft over de uiteindelijke montage van onze producten, dient u contact op te nemen met bevoegd technisch personeel of uw installateur om te garanderen dat de arm zorgvuldig wordt gemonteerd en het geheel de last kan dragen.

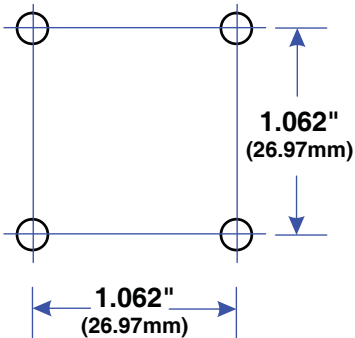
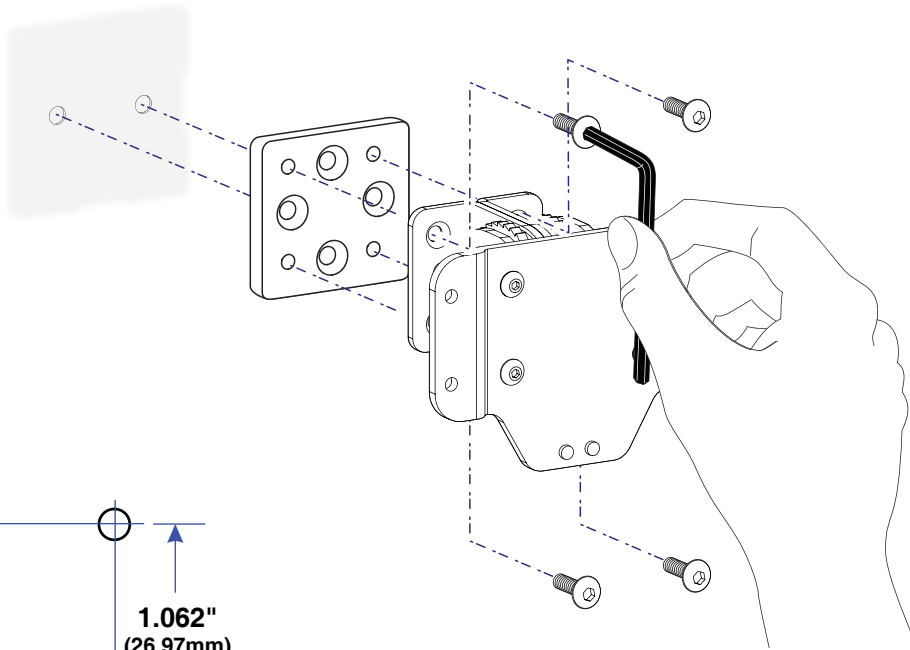


4



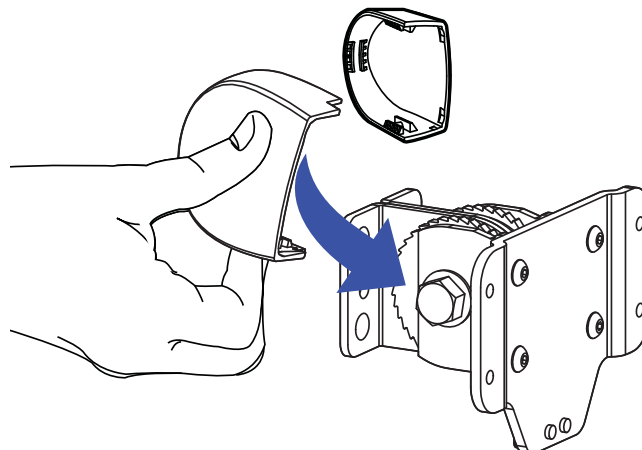
INSTALLATIONS WHICH INCLUDE MOUNTING PLATE

To attach the Keyboard Pivot with the Mounting Plate, follow the instructions provided with the mounting application.



Because vertical surfaces vary widely and the ultimate mounting method is out of Ergotron's control, it is imperative that you consult with appropriate engineering, architectural or construction personnel to ensure that the Arm is mounted properly to handle applied loads.

Aangezien verticale oppervlaktes zeer verschillend kunnen zijn en Ergotron geen controle heeft over de uiteindelijke montage van onze producten, dient u contact op te nemen met bevoegd technisch personeel of uw installateur om te garanderen dat de arm zorgvuldig wordt gemonteerd en het geheel de last kan dragen.



5

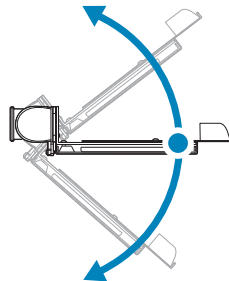


Adjustment
 Justering
 Justierung
 Ajustement
 Bijstelling
 Ajuste
 Regolazione

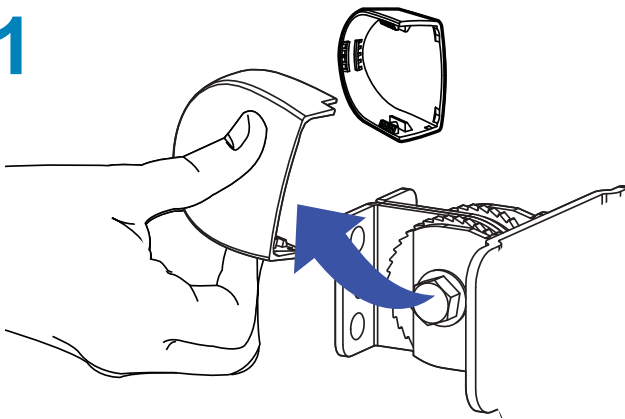
OVERVIEW

Ergotron's 100 Series Keyboard Tray Pivot is factory-set to provide positive pivot control and a smooth moving force throughout the entire pivot range of motion. To customize your installation, you will evaluate the Pivot operation by moving the keyboard tray through its full range of movement. If excessive force is required to lift the keyboard tray or if the keyboard tray does not stay in the desired position, pivot adjustment is required. Adjust for a controlled motion of the keyboard tray over the entire range of travel.

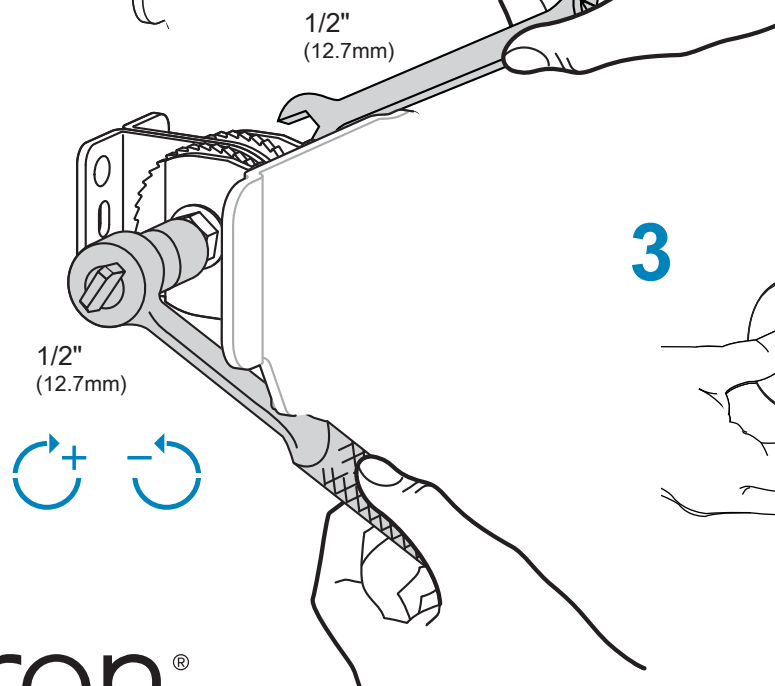
**Test Keyboard Tilt
 (up and down movement).
 Adjust as necessary.**



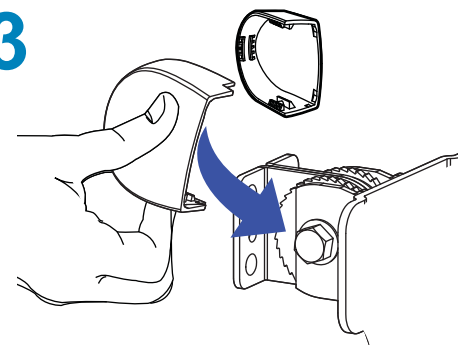
1



2



3



ergotron®

For the latest User Installation Guide please visit: www.ergotron.com

For Warranty visit: www.ergotron.com/warranty

For Service visit: www.ergotron.com

For local customer care phone numbers visit: <http://contact.ergotron.com>

www.ergotron.com | USA: 1-800-888-8458 | Europe: +31 (0)33-45 45 600 | China: 400-120-3051 | Japan: japansupport@ergotron.com

© 2005 Ergotron, Inc. All rights reserved.

While Ergotron, Inc. makes every effort to provide accurate and complete information on the installation and use of its products, it will not be held liable for any editorial errors or omissions (including those made in the process of translation from English to another language), or for incidental, special or consequential damages of any nature resulting from furnishing this instruction and performance of equipment in connection with this instruction. Ergotron, Inc. reserves the right to make changes in the product design and/or product documentation without notification to its users. For the most current product information, or to know if this document is available in languages other than those herein, please contact Ergotron. No part of this publication may be reproduced, stored in a retrieval system, or transmitted in any form or by any means, electronic, mechanical, photocopying, recording or otherwise without the prior written consent of Ergotron, Inc., 1181 Trapp Road, Eagan, Minnesota, 55121, USA. Patents Pending and Patented U.S. & Foreign. Ergotron is a registered trademark of Ergotron, Inc.