



Highlights

- 20-inch (51 cm) height range allows users to move between sitting and standing positions while they interact with the keyboard or display
- Patented CF motion technology provides premium ease-of-use adjustment
- Pass Ergotron's 10,000-cycle motion test, which ensures a minimum of five years trouble-free height adjustment

Keyboard Arm

- Extends keyboard up to 42" (107 cm); fold the keyboard back out of the way when not in use
- Ergonomic back-tilt keyboard tray ensures wrists remain in a neutral position during data entry—avoid repetitive-stress injuries while increasing comfort and productivity
- Mouse tray slides out to left or right, depending on user preference

Wall Mount Arm

- Extends LCD up to 33" (84 cm); push your display out of the way when not in use
- Increase viewing comfort—help reduce eye, back and neck strain
- Upgrade LCD monitors and TVs with improved ergonomic adjustment

Ergotron®

LX Sit-Stand Keyboard Arm LX Sit-Stand Wall Mount Arm



Keyboard Arm

Effortlessly position a keyboard to the most comfortable typing position, while seated or standing.

The LX provides a very stable platform for a keyboard and mouse—tested to be 3x more rigid than other keyboard arms! The tray's leveling mechanism allows the surface to be perfectly flat no matter where the keyboard is positioned.

Wall Mount Arm

This versatile arm can be used in a variety of applications: attach a smaller monitor for use within a sit-stand workstation or add a large display up to 25 lbs (11,3 kg) to position digital signage.



Cable management feature routes cables under the arm, out of the way

Secure installation—locking connections between arm, extension and base offer increased theft deterrence and prevent potential disconnections caused by jarring or impacts

Keyboard Arm

Rotation Stop on wall-mount base limits turn of extension-base connection to 180°, preventing extension from contacting wall

Arm can be used with or without the extension

Ideal for space-constrained spaces—folds to within 5.8" (15 cm) of wall in storage position

Wall Mount Arm

Base includes theft-deterrent anchor holes for cable locks

Computer systems mounted on this product may require extra long USB, power or video cables in order to span between standing and sitting heights

Ideal for space-constrained spaces—folds to within 4.5" (11,4 cm) of wall in storage position



Keyboard Arm	Weight Capacity	Lift	Tilt*	Pan	Rotation	VESA
—	≤ 5 lbs 2.2 kg	20" 51 cm	—	360°	360°	—

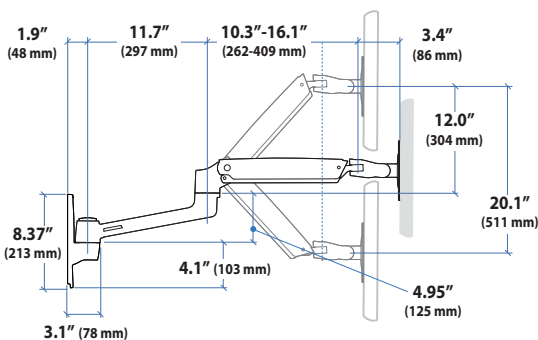
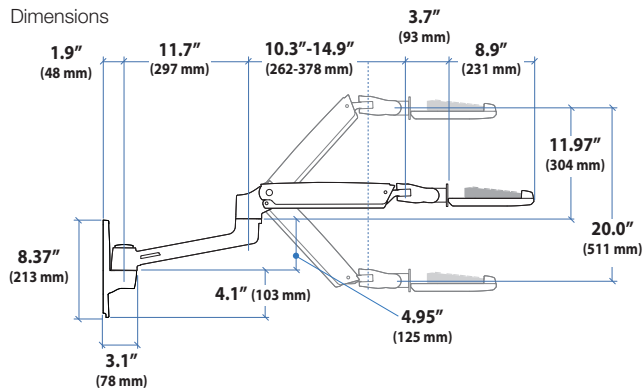
* When in down position, tray features a back-tilt of 5°; folds upright 90° in storage position

Wall Mount Arm	Typical LCD Size	LCD Weight*	Lift	Tilt	Pan	Rotation	VESA
≤ 37"	7–25 lbs 3,2–11,3 kg	20" 51 cm	75°	360°	360°	MIS-D/E/F	

* Monitor depth may affect weight capacity, see website for details

** VESA MIS-D, 75/100 (hole pattern = 100 x 100 mm & 75 x 75 mm), MIS-E (hole pattern = 200 x 100 mm), MIS-F (hole pattern = 200 x 200 mm ONLY). Optional VESA Bracket Adaptor Kit (97-759) can be ordered separately for MIS-F interface with hole pattern of 400 x 200 mm or 400 x 400 mm

Dimensions



Product Name	LX Sit-Stand Keyboard Arm	LX Sit-Stand Wall Mount LCD Arm
Part Number	45-354-026 (polished aluminum)	45-353-026 (polished aluminum)
Product Includes	LX sit-stand arm, extension, wall-mount base, keyboard tray, slide-out mouse tray, wrist rest, mouse holder	LX sit-stand arm, extension, wall-mount base, VESA brackets
Attachment Options	Attaches directly to sturdy vertical surfaces. Where applicable, install to wood stud. Also attaches to Wall Plate, or to Wall Track using bracket 97-091 (order separately)	Attach directly to sturdy vertical surface Wall track recommended (order separately)
Shipping Dimensions	22.4" x 13.7" x 7.8" (57 x 35 x 20 cm)	22.1" x 10.9" x 7.3" (56 x 28 x 19 cm)
Shipping Weight	17.1 lbs (7,8 kg)	12.6 lbs (5,7 kg)
Warranty	5 years	

© 2012 Ergotron, Inc. rev. 11/20/2012/EA Made in US Content is subject to change without notification.



Americas Sales and Corporate Headquarters

St. Paul, MN USA
(800) 888-8458
+1-651-681-7600
www.ergotron.com
sales@ergotron.com

EMEA Sales

Amersfoort, The Netherlands
+31 33 45 45 600
www.ergotron.com
info.eu@ergotron.com

APAC Sales

Tokyo, Japan
www.ergotron.com
apaccustomerservice@ergotron.com

Worldwide OEM Sales

www.ergotron.com
info.oem@ergotron.com