

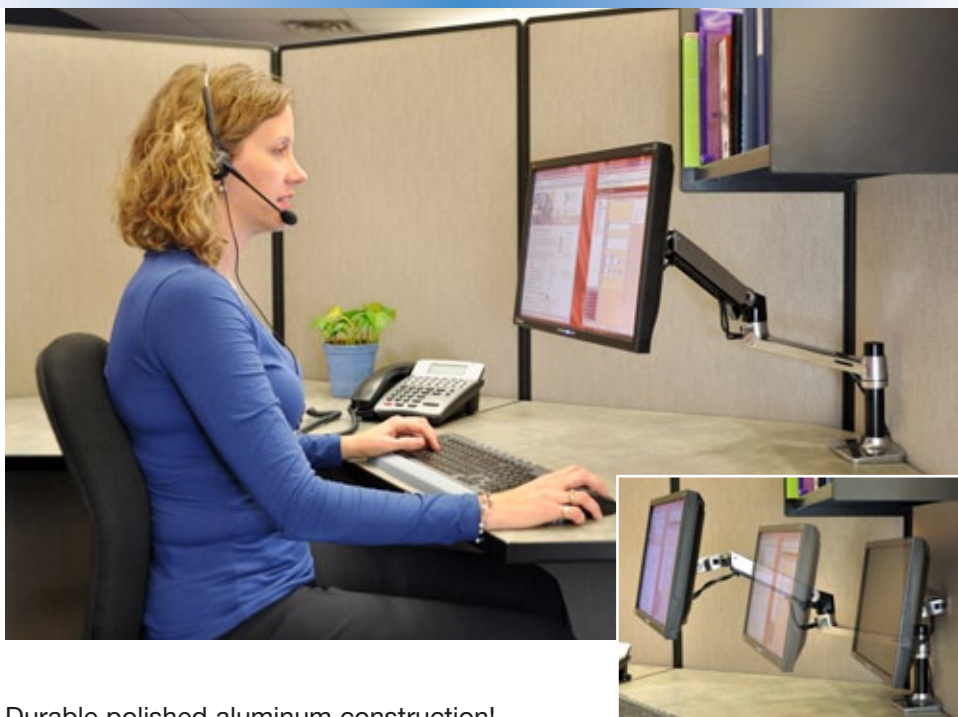
## Highlights



- Increase viewing comfort—help reduce eye, back and neck strain
- Upgrade LCD monitors and TVs with improved ergonomic adjustment
- Patented CF motion technology provides premium ease-of-use display adjustment
- Cable management feature routes cables under the arm, out of the way
- 13" (33 cm) height range meets the ergonomic needs of more than nine out of ten adults
- Compact design frees up space. Arm folds back over the base into a compact retracted position; perfect for tucking under systems furniture storage shelves or cabinets in space constrained areas

# Ergotron® LX

## Desk and Wall Mount LCD Arms



Durable polished aluminum construction!

Ergotron's LX LCD Arms include Constant Force (CF) patented lift-and-pivot motion technology. With a light touch of your hand you can easily lift, swing, tilt or turn your display.

- Increase viewing comfort—help reduce eye, back and neck strain
- Reposition your display with just a touch
- Excellent price performance
- Arm extends LCD up to 25" (64 cm) and 34" (86 cm) when a second extension is used—push it back out of the way
- Wall Mount or Desk Mount installation

The LX LCD Arm is the perfect desk or wall mount accessory to add flexibility and superior ergonomics to your LCD monitor or TV. Sleek and streamlined, it frees up space and allows you to easily position your display for greater productivity. It's ideal for home and office use, especially in situations where several people use the same display.



Position your display for maximum ergonomic comfort to relieve eye, neck and back strain

Free up your table or desktop to increase your workspace

Rotate screen for portrait viewing of photos and pages—eliminate scrolling

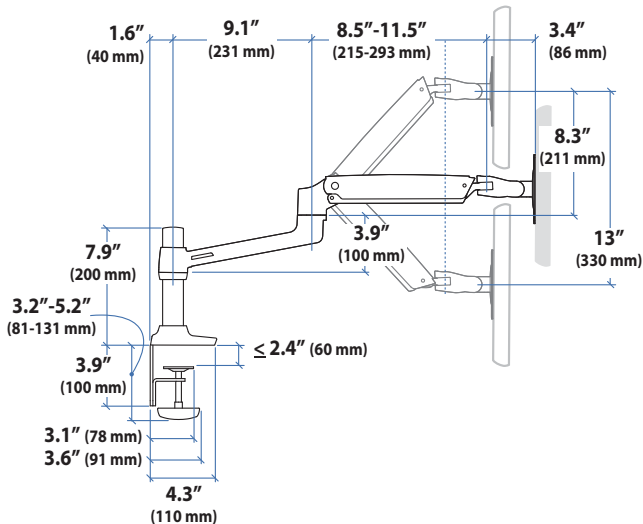
Easy-to-use, simple installation and effortless operation

The sleek and elegant design of the LX arm embellishes your desk and makes your office into a more enjoyable working environment

Save costs by improving the health of the workforce due to reduced neck and back strain

Adjustment range of the LX Arm allows LCD to be lowered into a position that is comfortable for people wearing bifocals or using a tablet PC

LX LCD Arm can be used without its extension or with a second 9" extension



Typical LCD Size	LCD Weight*	Lift	Tilt	Pan	Rotation	VESA
≤ 24"	7-20 lbs 3,1-9,1 kg	13" 33 cm	85°	360°	360° P/L	MIS-D

\* Monitor depth greater than 2" (5 cm) may diminish weight capacity

Product Name	LX Desk Mount LCD Arm	LX Wall Mount LCD Arm
Part Number	45-241-026 (polished aluminum)	45-243-026 (polished aluminum)
Product Includes	LX arm, extension, desk clamp and grommet mount bases	LX arm, extension, wall mount
	Add Notebook Tray (ordered separately, 50-193-200) to hold laptops and convertible notebooks	
Attachment Options	Desk clamp attaches to surface edge .4-2.4" (10-60 mm) thick; grommet mount attaches through surface hole .31-2" (8-50 mm) wide and up to 3" (76 mm) thick	Attach directly to sturdy vertical surface Wall track recommended (order separately)
Shipping Dimensions	25.5"H x 11.25"W x 7.25"D (65 x 29 x 18 cm)	20.75"H x 11.25"W x 7.5"D (53 x 29 x 19 cm)
Shipping Weight	9.75 lbs (4,4 kg)	7.0 lbs (3,2 kg)
Warranty	5 years	
Weight Capacity	7-20 lbs (3,1-9,1 kg) Monitor depth greater than 2" (5 cm) may diminish capacity System weight capacity is reduced by using two extensions, see installation manual or website for details LX Extension 45-244-026 (polished aluminum) Not compatible with LX Dual Desk Mount Arms (45-245-026, 45-248-026)	
Compatible Display(s)	VESA MIS-D compatible displays up to 20 lbs (9,1 kg)	

© 2010 Ergotron, Inc. rev. 03/01/2010 870-05-056 Content is subject to change without notification.

**Americas Sales and Corporate Headquarters**

St. Paul, MN USA  
(800) 888-8458  
+1-651-681-7600  
www.ergotron.com  
sales@ergotron.com

**EMEA Sales**

Amersfoort, The Netherlands  
+31 33 45 45 600  
www.ergotron.com  
info.eu@ergotron.com

**APAC Sales**

Tokyo, Japan  
www.ergotron.com  
apaccustomerservice@ergotron.com

**Worldwide OEM Sales**

www.ergotron.com  
info.oem@ergotron.com





## Highlights

- Position your keyboard for maximum comfort and productivity
- Arm extends keyboard up to 35" (89 cm); 13" (33 cm) height adjustment
- Ergonomic back-tilt keyboard tray ensures wrists remain in a neutral position during data entry—avoid repetitive-stress injuries while increasing comfort and productivity
- Creates a complete workstation when paired with the LX LCD Arm
- Easy to use—simple installation and effortless operation
- Mouse tray slides out to left or right, depending on user preference
- Ideal for space-constrained spaces—folds to within 3.5" (9 cm) of wall in storage position
- Integrated cable management
- Pair it with an LX LCD Arm to create a complete workstation
- Five-year warranty

# Ergotron®

## LX Wall Mount Keyboard Arm



Durable polished aluminum construction!

Effortlessly position a keyboard to the most comfortable typing position, seated or standing. The LX Keyboard Arm mounts directly to any wall while providing vertical and side-to-side motion. When not in use, simply push the keyboard and fold it up to within 3.5" (9 cm) of the wall. This is the perfect accessory for space-constrained areas. Pair it with an LX LCD Arm to create a complete workstation.

Ergotron's LX Keyboard Arm includes Constant Force (CF) patented lift-and-pivot motion technology. With a light touch of your hand you can easily lift, swing, tilt or turn your keyboard.

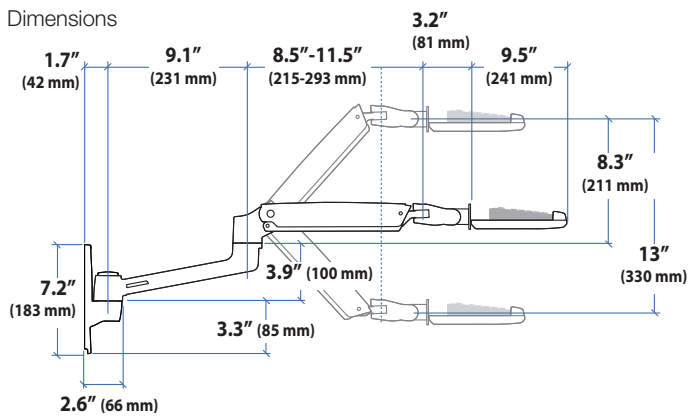
- Increase data-entry comfort—help reduce arm, shoulder and wrist strain
- Reposition your keyboard with just a touch
- There when you need it, gone when you don't—folds up and back
- Excellent price performance
- Companion product to LX Wall Mount LCD Arm—same sleek design
- Arm extends keyboard up to 35" (89 cm)

- LX Keyboard Arm can be used without its extension
- Mounting options: attaches directly to sturdy vertical surfaces. Where applicable, install to wood stud. Also attaches to Wall Track using bracket 97-091 (order separately)
- Fasteners for direct attachment to wood/metal studs or concrete surface are not included—customer supplied
- Base includes theft deterrent anchor holes for cable locks



Keyboard Size	Keyboard Weight	Lift	Tilt	Pan	Rotation	VESA
see below	≤ 5 lbs ≤ 2,2 kg	13" 33 cm	80°	360°	—	—

Dimensions



Product Name	LX Keyboard Arm
Part Number	45-246-026 (polished aluminum)
Product Includes	LX arm, extension, keyboard tray, mouse tray, wall mount base, mouse holder, wrist rest
Shipping Dimensions	20.75"H x 11.25"W x 7.5"D (53 x 29 x 19 cm)
Shipping Weight	9.7 lbs (4,4 kg)
Warranty	5 years
Weight Capacity	5 lbs (2,2 kg)
Keyboard Size	Maximum: 17.5" x 10.1" (44,5 x 25,7 cm)

© 2010 Ergotron, Inc. rev. 03/01/2010 e-05-068 Content is subject to change without notification.

**Americas Sales and Corporate Headquarters**

St. Paul, MN USA  
 (800) 888-8458  
 +1-651-681-7600  
 www.ergotron.com  
 sales@ergotron.com

**EMEA Sales**

Amersfoort, The Netherlands  
 +31 33 45 45 600  
 www.ergotron.com  
 info.eu@ergotron.com

**APAC Sales**

Tokyo, Japan  
 www.ergotron.com  
 apaccustomerservice@ergotron.com

**Worldwide OEM Sales**

www.ergotron.com  
 info.oem@ergotron.com

