

CAUTION! The LX Arm Accessory is designed to be used only with the 45-295 LX Desk Mount LCD Arm, Tall Pole product, with a total of two (2) arms per pole. Using the LX Arm Accessory with any other product or in quantities greater than two (2) arms per pole may create an unstable situation resulting in equipment damage and/or personal injury.

For the latest User Installation Guide please visit: www.ergotron.com



User's Guide - English
 Guía del usuario - Español
 Manuel de l'utilisateur - Français
 Gebruikersgids - Deutsch
 Benutzerhandbuch - Nederlands
 Guida per l'utente - Italiano
 Användarhandbok - svenska
 ユーザーガイド : 日本語
 用户指南 : 汉语



Includes
 Constant Force™
 Technology

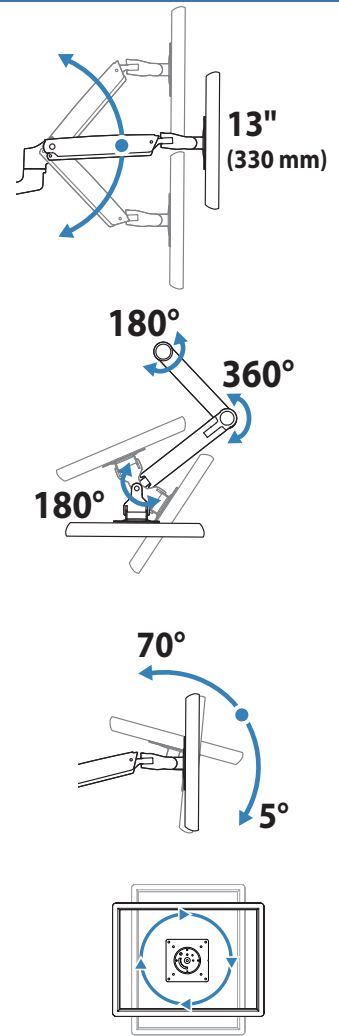
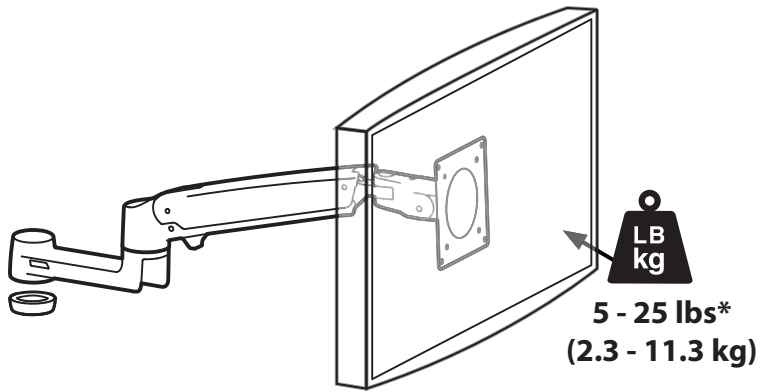


www.ergotron.com

USA 1-800-888-8458

Europe +31 (0)33-45 45 600

China 400-120-3051



*The lower most range of motion for vertical lift is decreased up to 4.5" (114 mm) when arm is adjusted to hold over 20lbs (9 kgs).

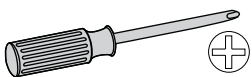
8.5" (216 mm)

< 4.5" (114 mm)

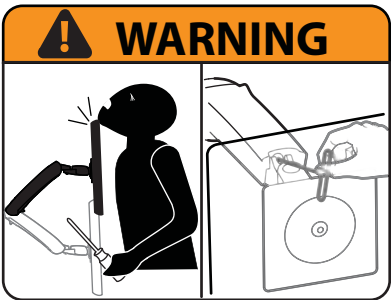
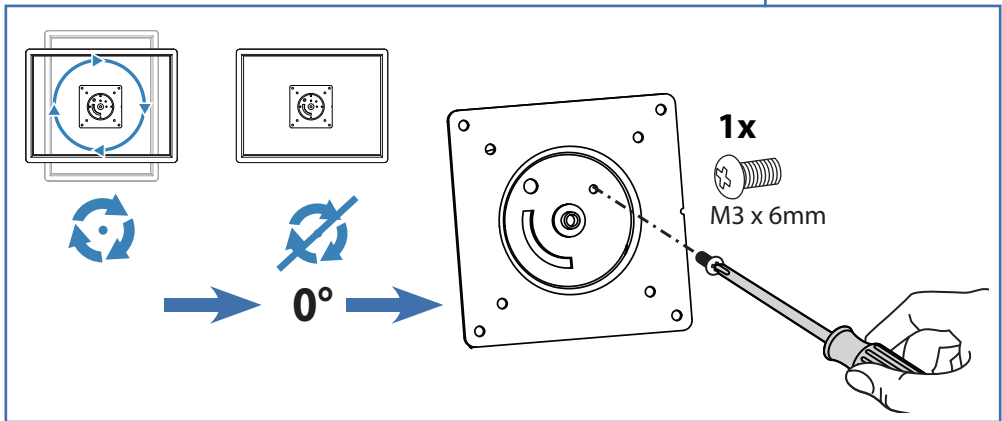
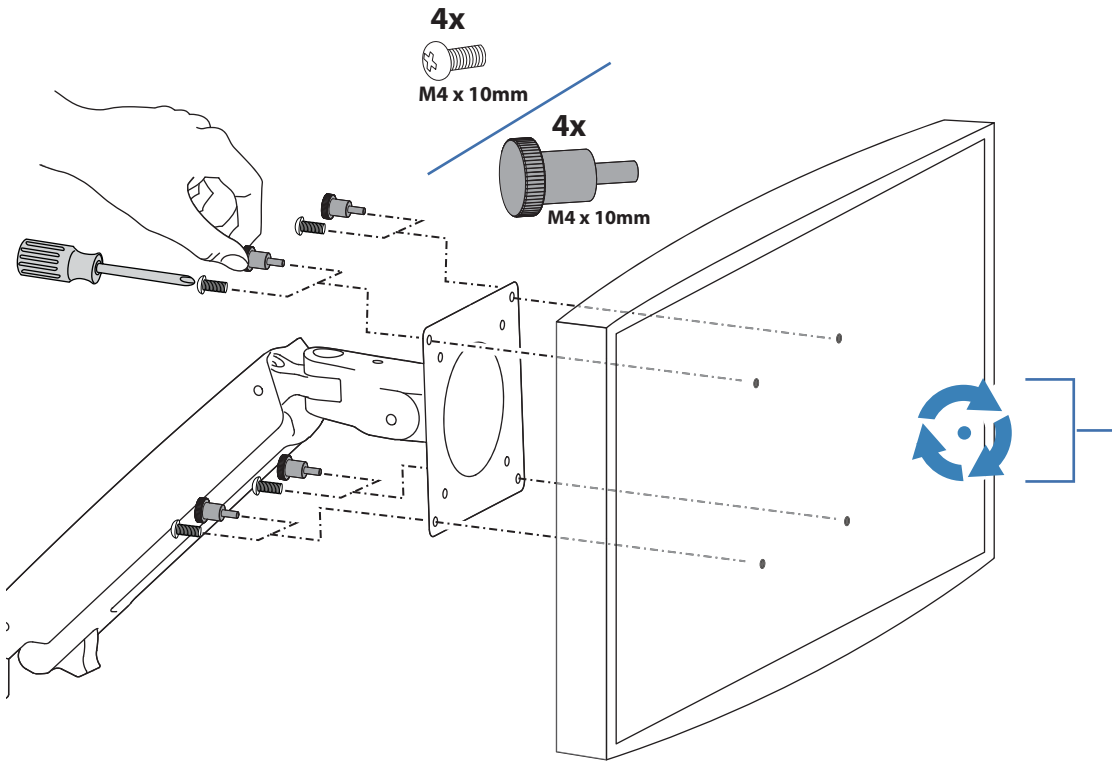
Components

	A	B	C	D
1	1x 	1x 	4x M4 x 10mm	1x
2	1x 2.5mm		4x M4 x 10mm	
3	2x 	1x 	1x M3 x 6mm	1x 4mm
4	1x 1/8	4x 10 - 24 x 1/2"		

Tools Needed



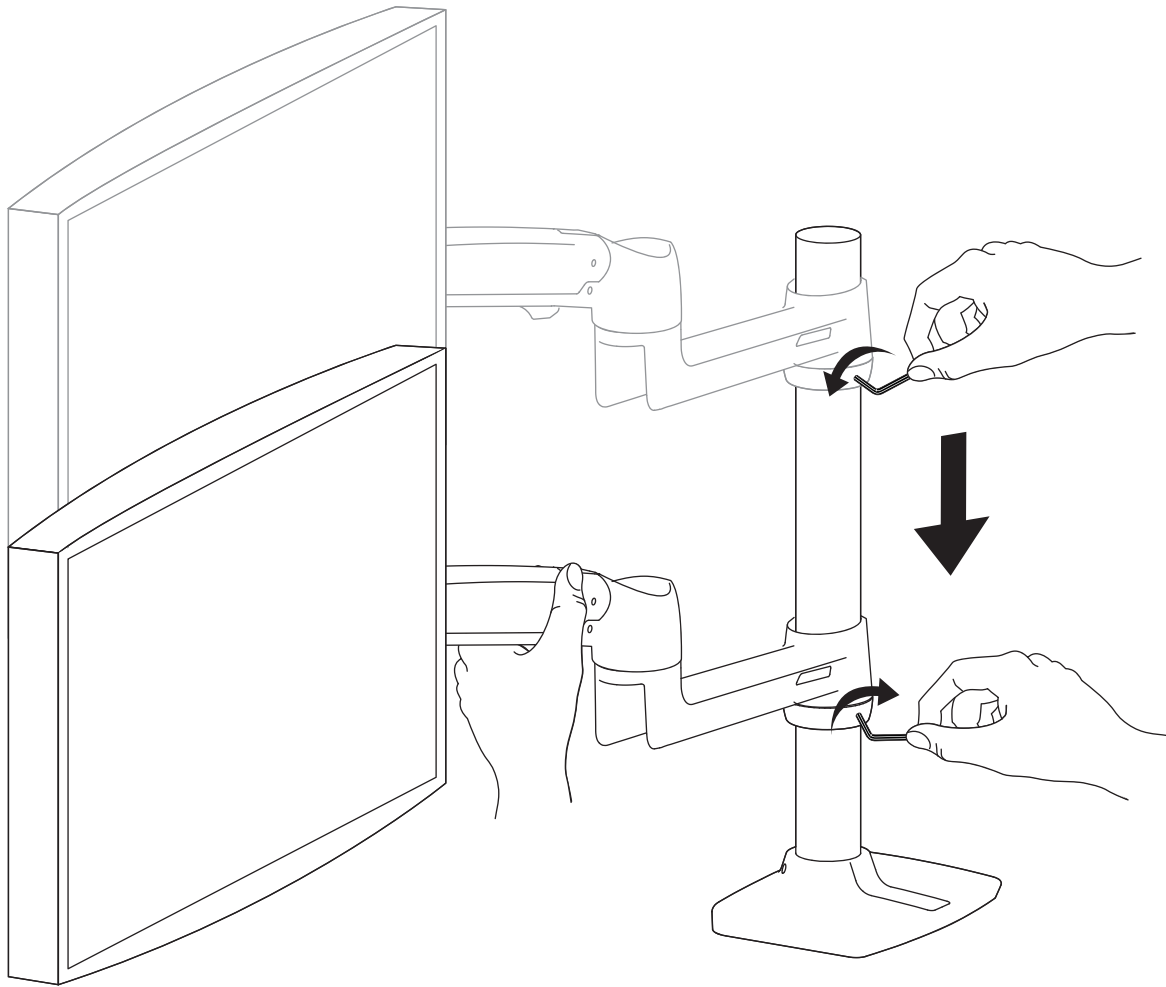
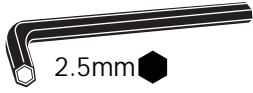
1




WARNING! Stored Energy Hazard: The arm mechanism is under tension and will move up rapidly, on its own, as soon as attached equipment is removed. For this reason, **DO NOT** remove equipment unless the arm has been moved to the highest position! Failure to follow this instruction may result in serious personal injury and/or equipment damage!

ENGLISH

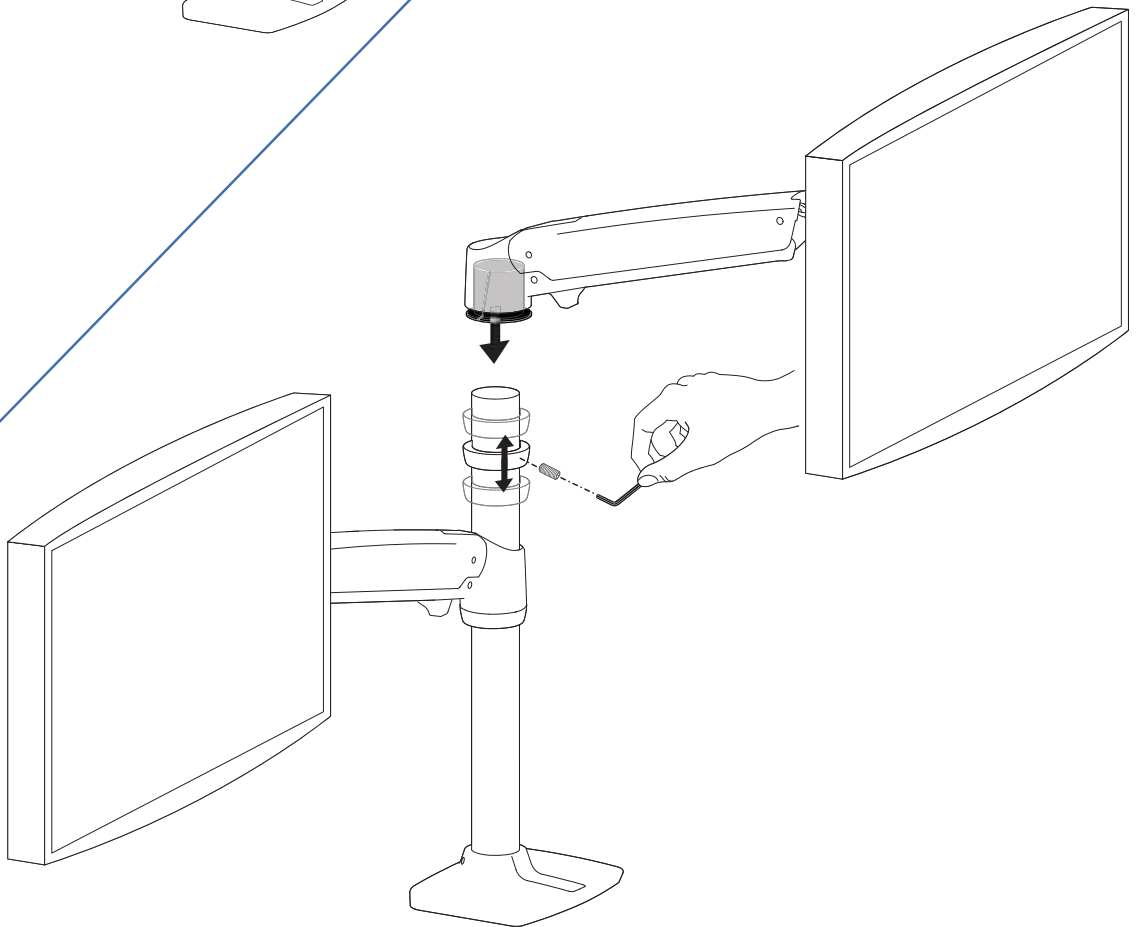
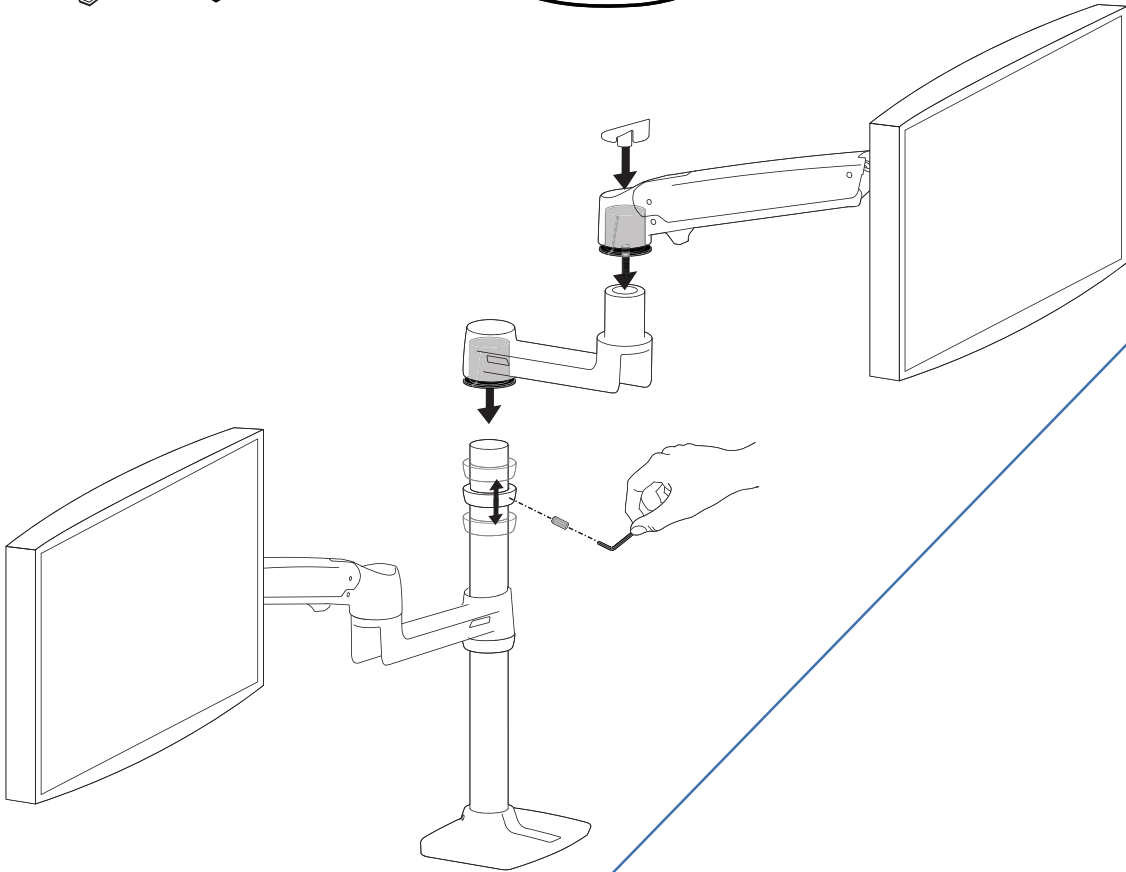
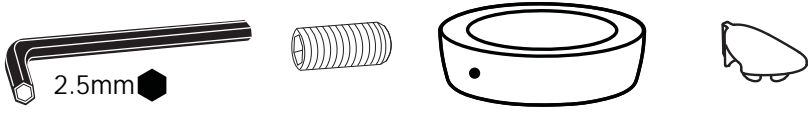
2



ENGLISH

 **CAUTION!** The LX Arm Accessory is designed to be used only with the 45-295 LX Desk Mount LCD Arm, Tall Pole product, with a total of two (2) arms per pole. Using the LX Arm Accessory with any other product or in quantities greater than two (2) arms per pole may create an unstable situation resulting in equipment damage and/or personal injury.

3



ENGLISH

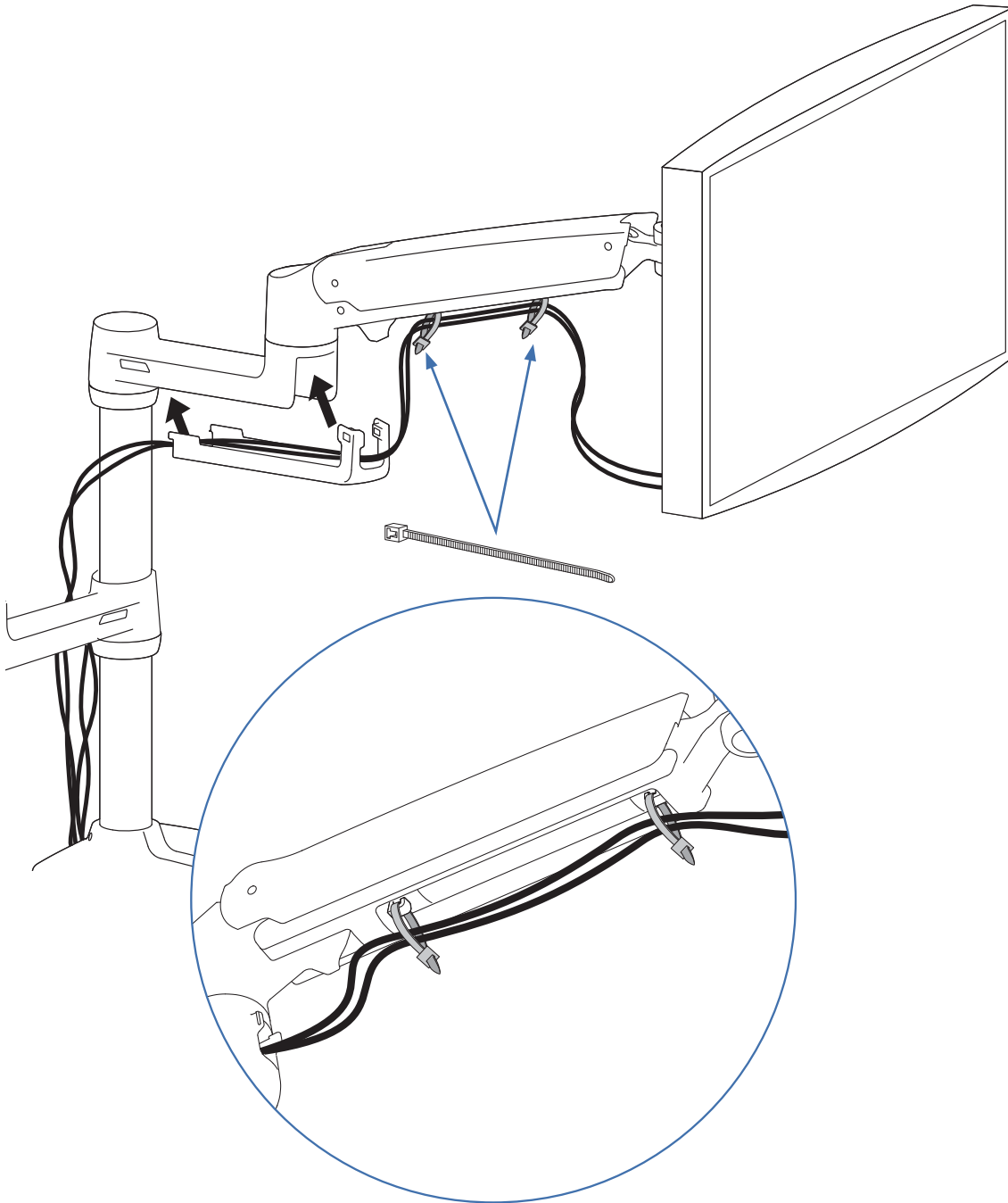
4



NOTE: Leave enough slack in cable to allow full range of motion.



Caution: To avoid the potential to pinch cables it is important to follow the cable routing instructions in this manual. Failure to follow these instructions may result in equipment damage or personal injury.

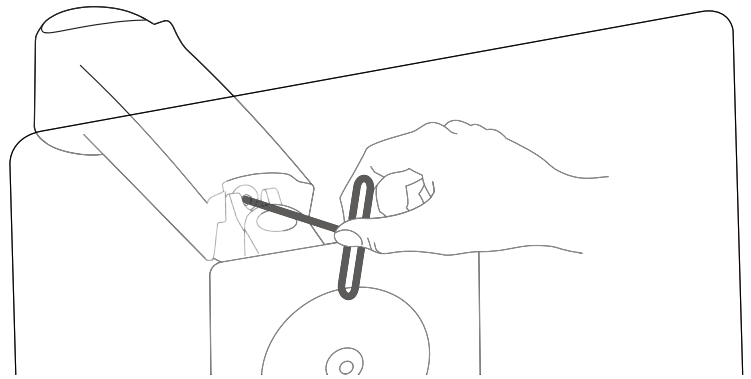
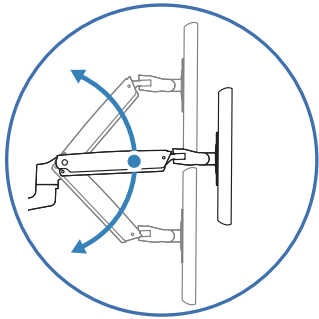


ENGLISH

5 Adjustment Step

Important! You will need to adjust this product after installation is complete. Make sure all your equipment is properly installed on the product before attempting adjustments. This product should move smoothly and easily through the full range of motion and stay where you set it. If movements are too easy or difficult or if product does not stay in desired positions, follow the adjustment instructions to create smooth and easy movements. Depending on your product and the adjustment, it may take many turns to notice a difference. Any time equipment is added or removed from this product, resulting in a change in the weight of the mounted load, you should repeat these adjustment steps to ensure safe and optimum operation.

a Lift - Up and down



CAUTION: DO NOT overtighten fasteners. Overtightening may cause damage to your equipment.



Increase Lift Strength

If the mounted weight is too heavy or this product does not stay up when raised, then you'll need to increase Lift Strength:

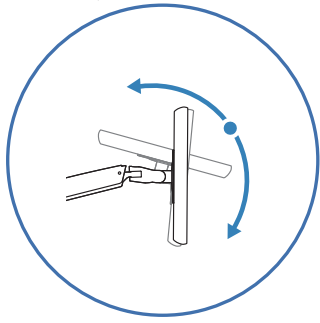


Decrease Lift Strength

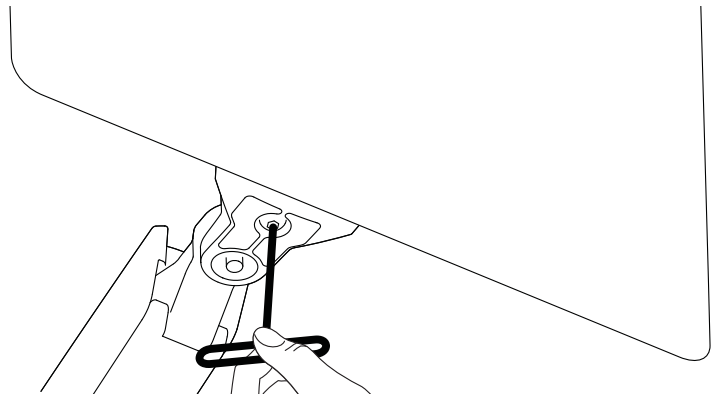
If the mounted weight is too light or this product does not stay down when lowered, then you'll need to decrease Lift Strength:



b Tilt – Forward and Backward



CAUTION: DO NOT remove screw. Removing screw may cause damage to equipment.



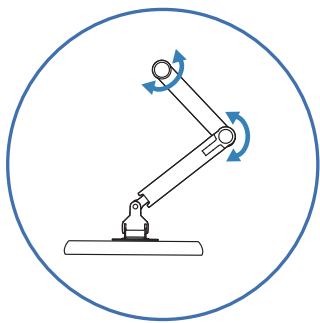
Increase Friction
If this product moves too easily, then you'll need to increase friction:



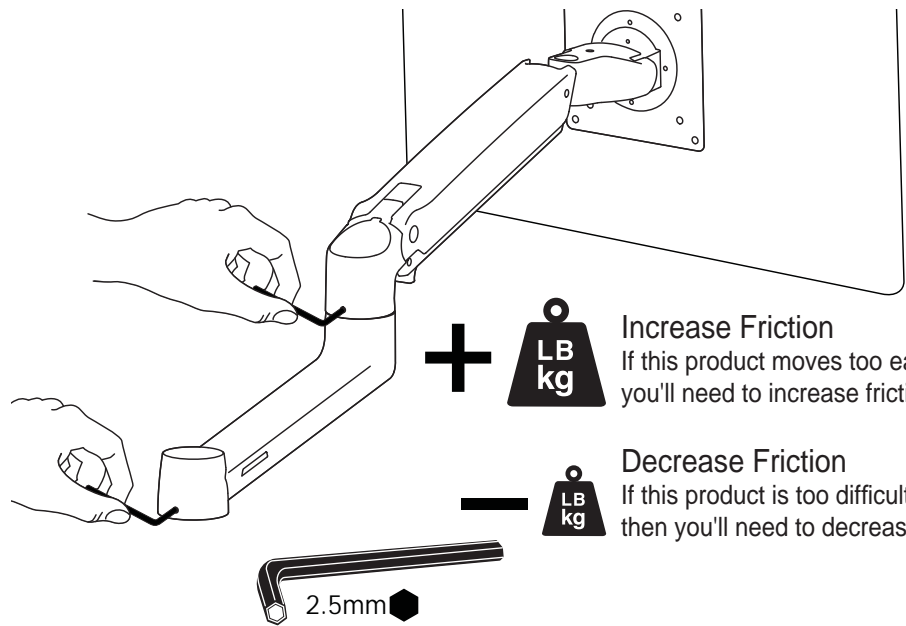
Decrease Friction
If this product is too difficult to move, then you'll need to decrease friction:



c Arm Swing – Side-to-side



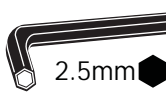
ENGLISH



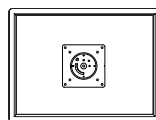
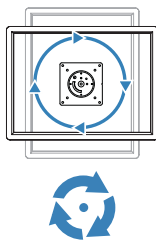
Increase Friction
If this product moves too easily, then you'll need to increase friction:



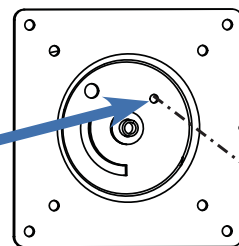
Decrease Friction
If this product is too difficult to move, then you'll need to decrease friction:



d Rotate – Portrait/Landscape

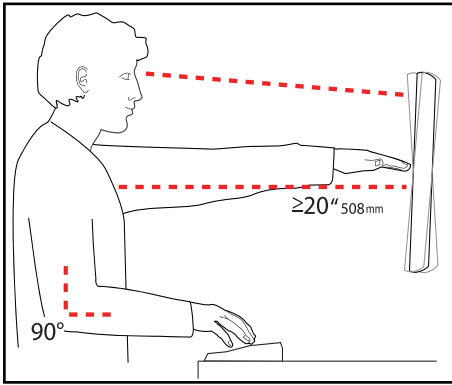


0°



M3 x 6mm

Set Your Workstation to Work For YOU!



Learn more about ergonomic computer use at:
www.computingcomfort.org

- Height** Position top of screen slightly below eye level.
Distance Position keyboard at about elbow height with wrists flat.
Position screen an arm's length from face—at least 20" (508mm).
Position keyboard close enough to create a 90° angle in elbow.
- Angle** Tilt screen to eliminate glare.
Tilt the keyboard back 10° so that your wrists remain flat.

To Reduce Fatigue

- Breathe - Breathe deeply through your nose.
- Blink - Blink often to avoid dry eyes.
- Break • 2 to 3 minutes every 20 minutes
- 15 to 20 minutes every 2 hours.

Americas Sales and Corporate Headquarters

1181 Trapp Rd.
St. Paul, MN USA
(800) 888-8458
+1-651-681-7600
www.ergotron.com
sales@ergotron.com

EMEA Sales

Amersfoort, The Netherlands
+31 33 45 45 600
www.ergotron.com
info.eu@ergotron.com

APAC Sales

Tokyo, Japan
www.ergotron.com
apaccustomerservice@ergotron.com

Worldwide OEM Sales

www.ergotron.com
info.oem@ergotron.com

ERGOTRON®

While Ergotron, Inc. makes every effort to provide accurate and complete information on the installation and use of its products, it will not be held liable for any editorial errors or omissions (including those made in the process of translation from English to another language), or for incidental, special or consequential damages of any nature resulting from furnishing this instruction and performance of equipment in connection with this instruction. Ergotron, Inc. reserves the right to make changes in the product design and/or product documentation without notification to its users. For the most current product information, or to know if this document is available in languages other than those herein, please contact Ergotron. No part of this publication may be reproduced, stored in a retrieval system, or transmitted in any form or by any means, electronic, mechanical, photocopying, recording or otherwise without the prior written consent of Ergotron, Inc., 1181 Trapp Road, Eagan, Minnesota, 55121, USA. Patents Pending and Patented U.S. & Foreign. Ergotron is a registered trademark of Ergotron, Inc.

© 2015 Ergotron, Inc. All rights reserved.