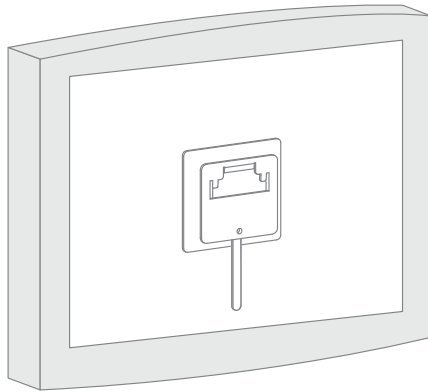
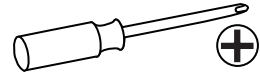
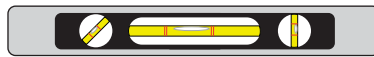
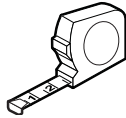
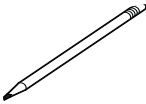
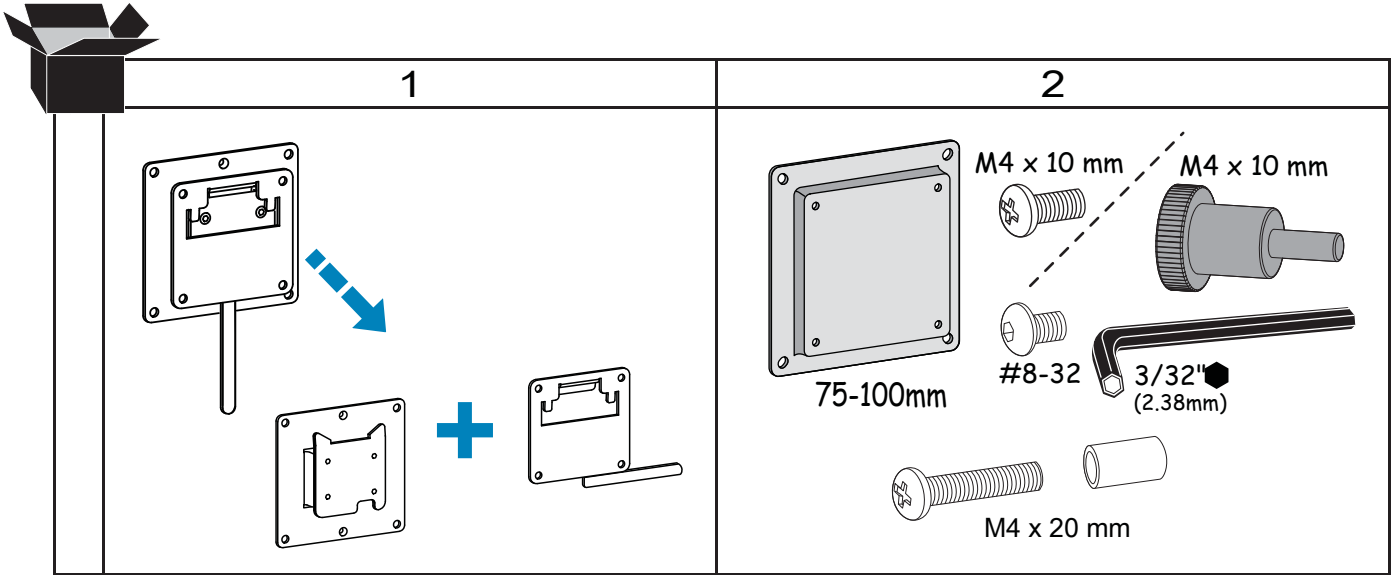


# ergotron<sup>®</sup>

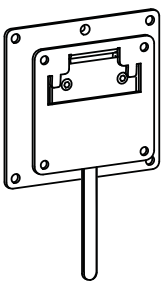
---

## FX30 Quick Release Wall Mount Kit for Flat Panel TV/Monitor

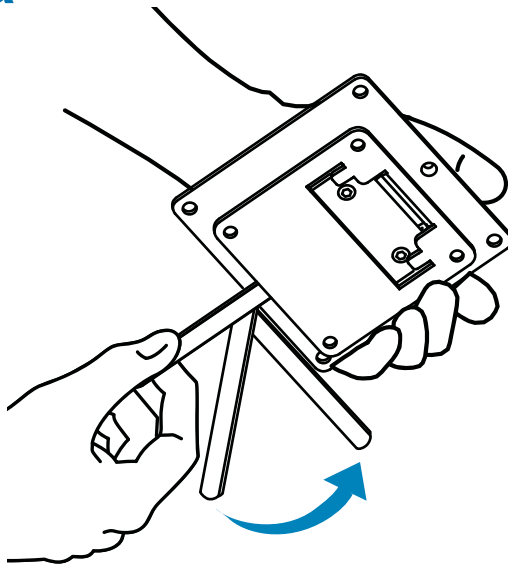




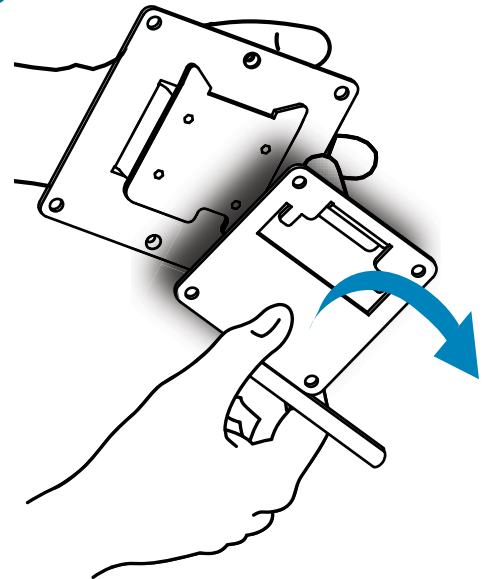
**1**



**a**



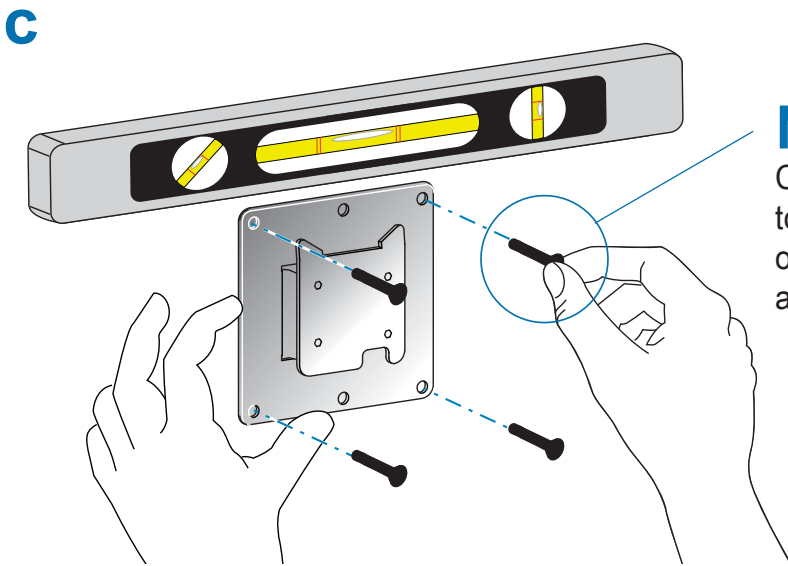
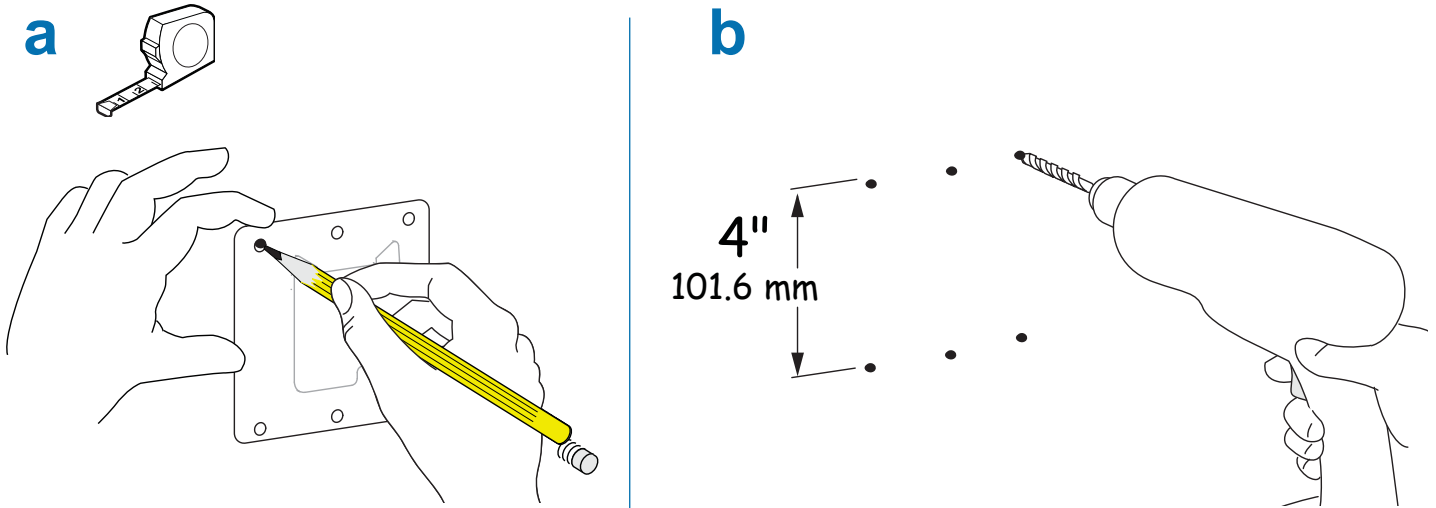
**b**



## 2 Wall bracket mount



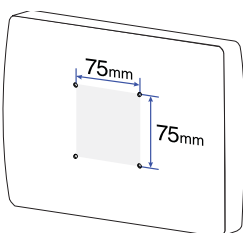
**WARNING:** Because vertical surfaces vary widely and the ultimate mounting method is out of Ergotron's control, it is imperative that you consult with appropriate engineering, architectural or construction personnel to ensure that the FX is mounted properly to handle applied loads.



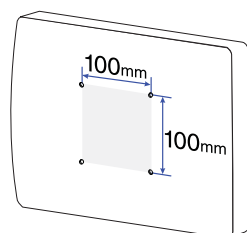
**NOTE:** Fasteners are not supplied. Consult a qualified construction professional to determine the appropriate type and quantity of mounting fasteners required for your application.

## 3 Monitor bracket mount

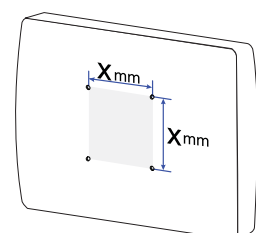
**a** 75mm



**b** 100mm

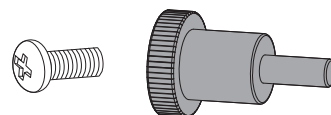


**c** Xmm

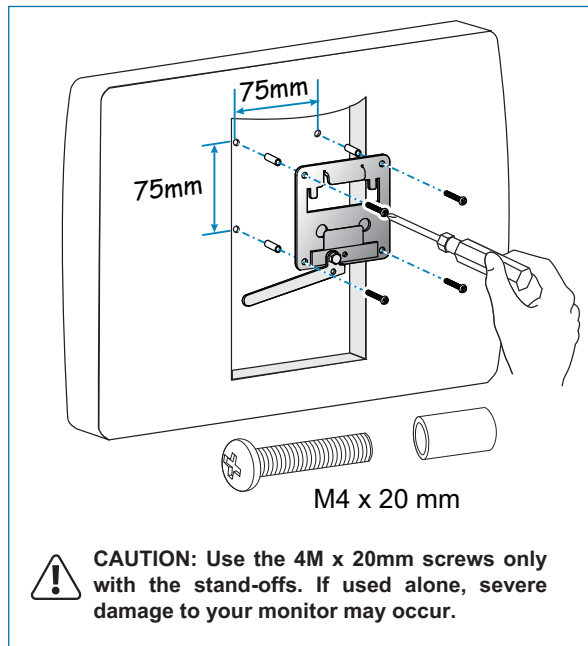
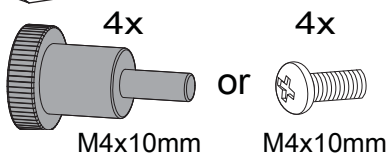
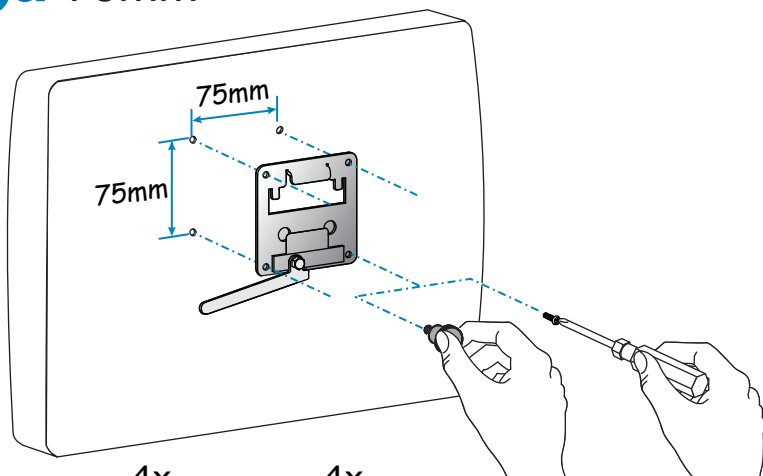




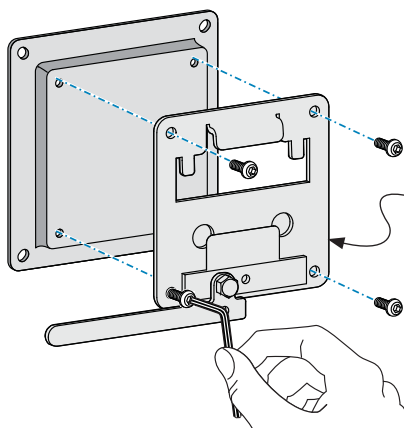
**WARNING:** To avoid damage to your monitor, if your monitor requires a screw size other than the M4 screws and knobs provided in this kit, use the screw size recommended by the monitor manufacturer!



### 3a 75mm

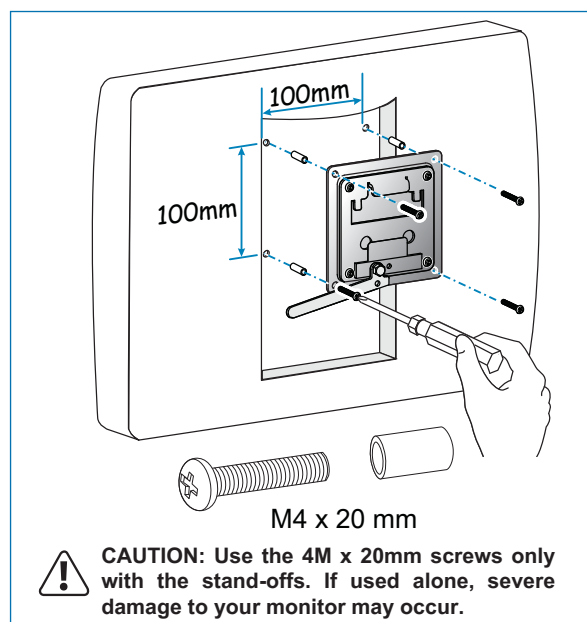
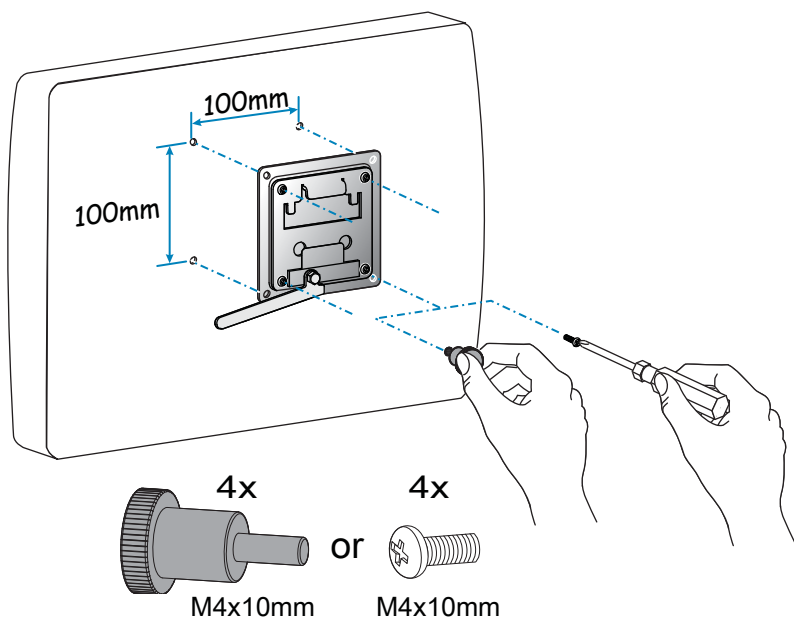


### 3b 100mm

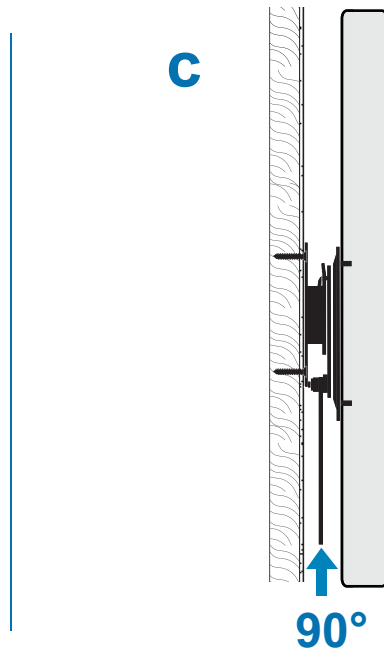
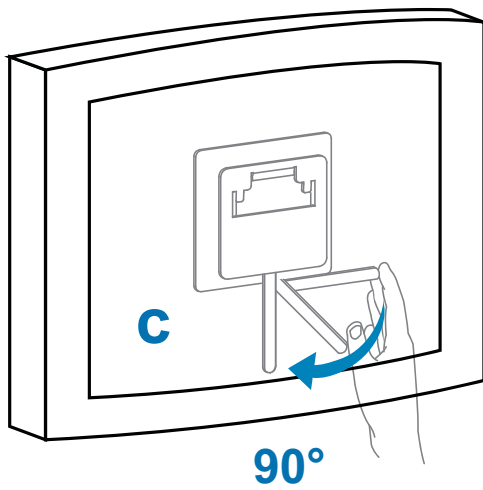
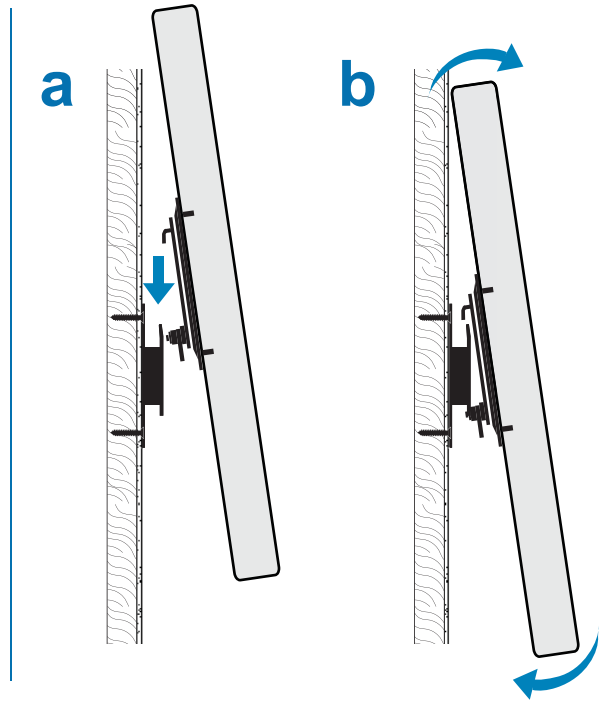
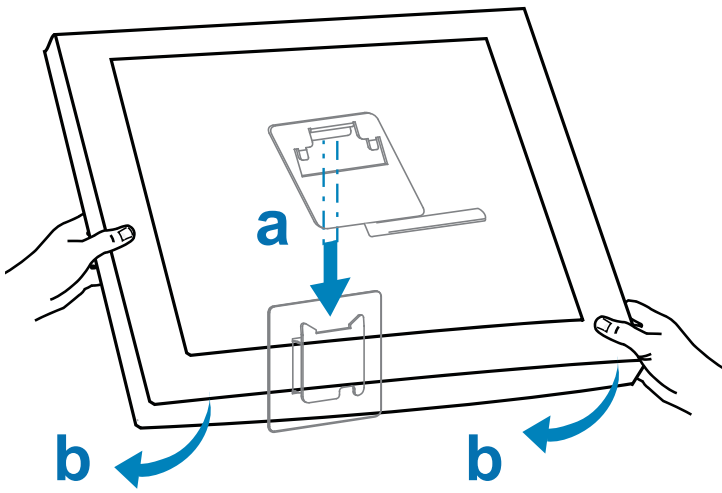


4x  #8-32 x 3/16"

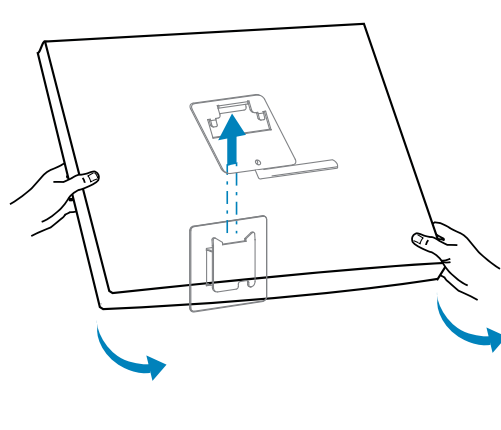
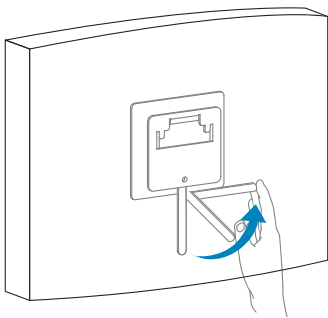
**B**



# 4 Attachment



## Removal





For the latest User Installation Guide please visit: [www.ergotron.com](http://www.ergotron.com)

For Warranty visit: [www.ergotron.com/warranty](http://www.ergotron.com/warranty)

For Service visit: [www.ergotron.com](http://www.ergotron.com)

For local customer care phone numbers visit: <http://contact.ergotron.com>

[www.ergotron.com](http://www.ergotron.com) | USA: 1-800-888-8458 | Europe: +31 (0)33-45 45 600 | China: 400-120-3051 | Japan: [japansupport@ergotron.com](mailto:japansupport@ergotron.com)

© 2004 Ergotron, Inc. All rights reserved.

While Ergotron, Inc. makes every effort to provide accurate and complete information on the installation and use of its products, it will not be held liable for any editorial errors or omissions (including those made in the process of translation from English to another language), or for incidental, special or consequential damages of any nature resulting from furnishing this instruction and performance of equipment in connection with this instruction. Ergotron, Inc. reserves the right to make changes in the product design and/or product documentation without notification to its users. For the most current product information, or to know if this document is available in languages other than those herein, please contact Ergotron. No part of this publication may be reproduced, stored in a retrieval system, or transmitted in any form or by any means, electronic, mechanical, photocopying, recording or otherwise without the prior written consent of Ergotron, Inc., 1181 Trapp Road, Eagan, Minnesota, 55121, USA Patents Pending and Patented U.S. & Foreign. Ergotron is a registered trademark of Ergotron, Inc.