

Lux-Up T

Enhance your screen !



ORIGINE
FRANCE[®]
GARANTIE

BVCert. 6164725


ERARD[®]

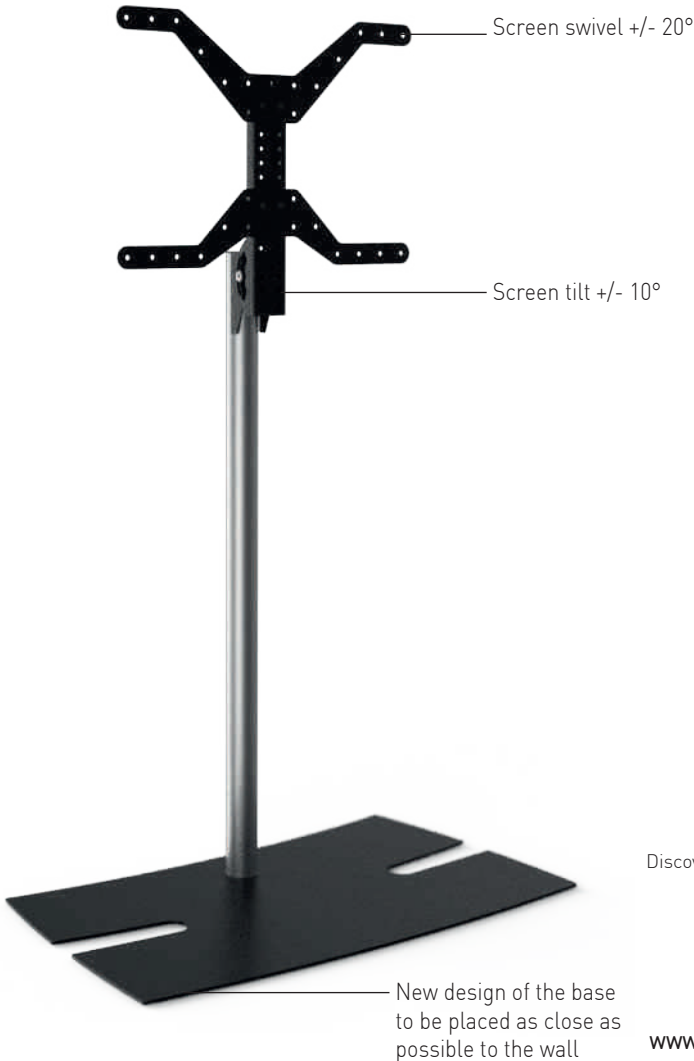
Lux-Up T 1175L, 1560L, 1560XL

TECHNICAL CHARACTERISTICS

- Steel base; black or white epoxy painting
- Mast diameter 60 mm ; Chromium epoxy painting
- Incorporated cable management in the mast
- Screen swivel +/-20° and tilt +/-10°
- Screen height adjustment on 475 mm



 **Product highlight**
Tilting, swivelling and reversible head



Discover the Lux Up T video

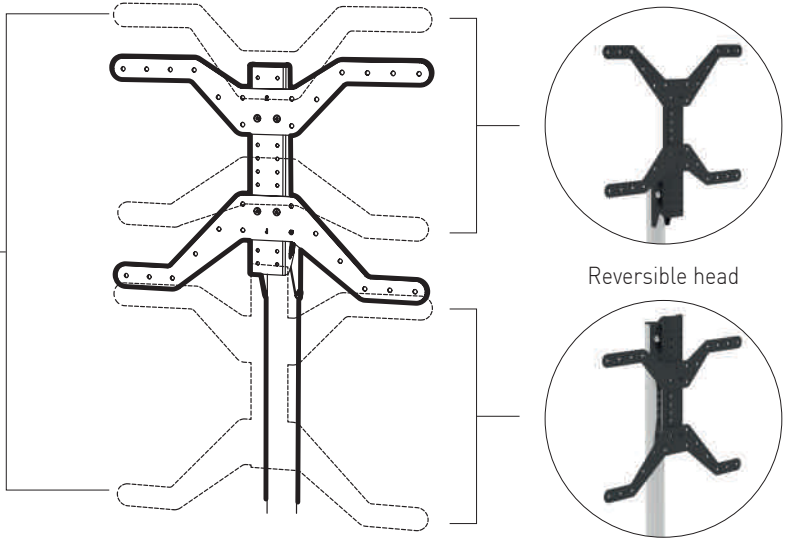


www.erard.com/luxupt

ASSETS OF LUX UP T

- Great latitude for adjusting the height of the screen.
- Tilt adjustment to prevent glare on the screen.
- Perfect stability (tests according to standard NF / EN 60065).
- Quality of materials and very beautiful finish (French manufacture)

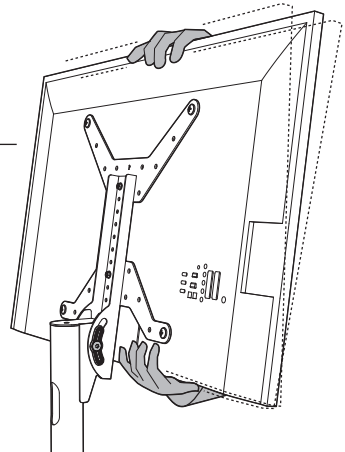
Latitude of screen
height adjustment :
475 mm



Reversible head



Tilt fonction
Continuous tilt



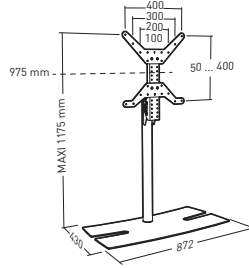
Lux-Up T 1175L, 1560L, 1560XL

Lux-UpT 1175L

Ref. **038152 - Black** EAN 318528 038152 4

Ref. **038153 - White** EAN 318528 038153 1

- Mast + head : 1175 mm
- Base : 872 x 430 mm
- VESA : 100 to 400 x 400



L 30"-55"
76-140 cm



30 KG



VESA
100>400X400



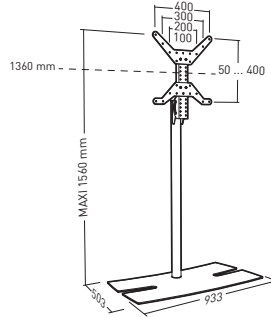
MAX THICKNESS
45 mm

Lux-UpT 1560L

Ref. **038252 - Black** EAN 318528 038252 1

Ref. **038253 - White** EAN 318528 038253 8

- Mast + head : 1560 mm
- Base : 933 x 503 mm
- VESA : 100 to 400 x 400



L 30"-55"
76-140 cm



30 KG



VESA
100>400X400



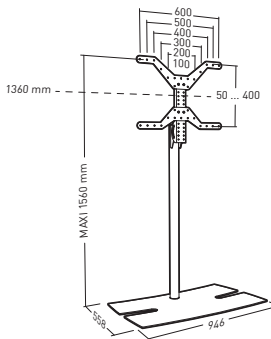
MAX THICKNESS
75 mm

Lux-UpT 1560XL

Ref. **038352 - Black** EAN 318528 038352 8

Ref. **038353 - White** EAN 318528 038353 5

- Mast + head : 1560 mm
- Base : 946 x 558 mm
- VESA : 100 to 600 x 400



XL 40"-75"
102-190cm



50 KG



VESA
100>600X400



MAX THICKNESS
100 mm

Mail: export@erard.fr / www.erard.com / Tel: +33 (0)4 72 46 16 26 / Fax: +33 (0)4 72 46 16 22

VAT number : FR 81 403 591 415

Z.I. de Chavanoz / 4 route de la Plaine / 38236 CHAVANOZ / FRANCE

