

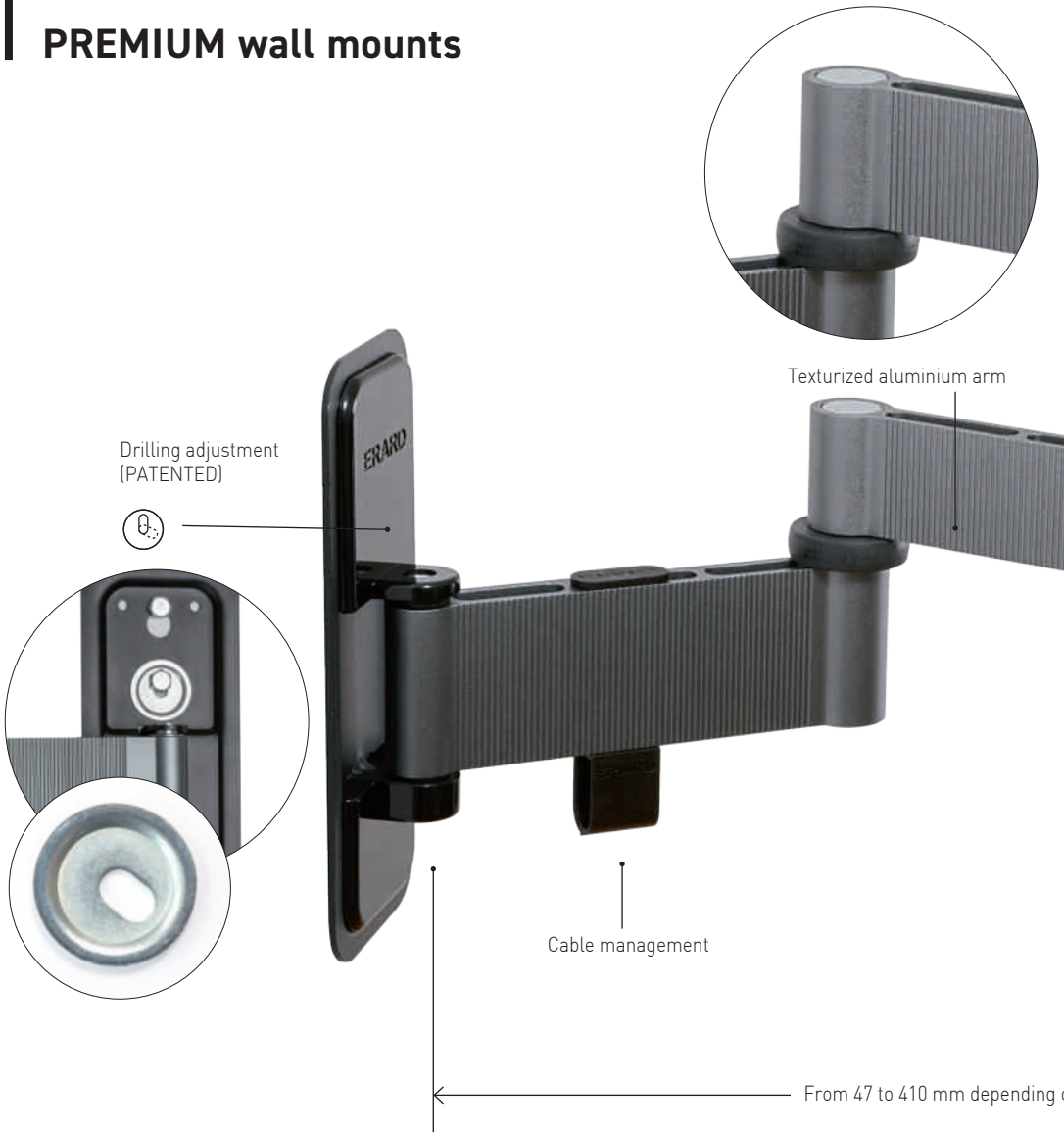
EXO

Precision and design



ERARD®

PREMIUM wall mounts



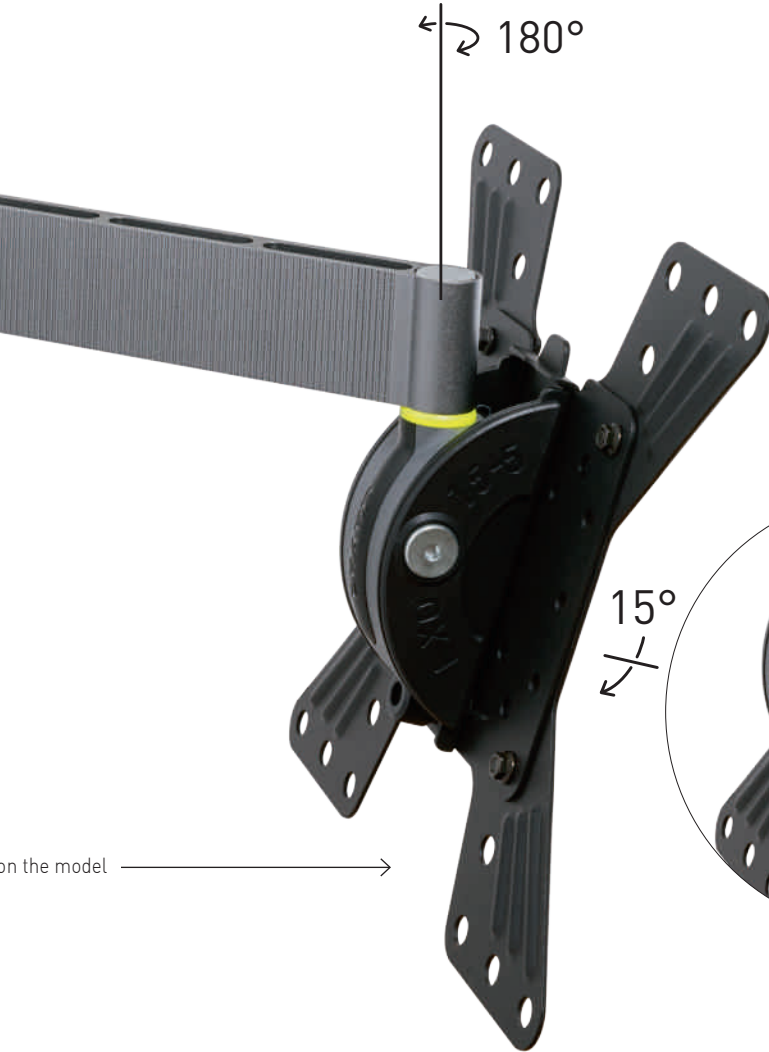
EXO 200 Tilting and swivelling PREMIUM wall mounts

- Tilting and swivelling
- Off-centre spacers to correct horizontality after drilling
- Texturized anodized aluminium arm, Titanium colour
- Screen and wall mount made of steel, black epoxy painting
- Delivered pre-assembled
- Magnetic cover for wall mount



EXO 200

LIFETIME WARRANTY



Continuous tilt up to -15°



on the model →

Discover the EXO video



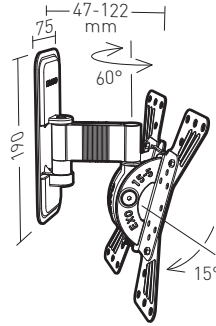
www.erard.com/exo200

EXO 200

EXO 200TW1 **M** 19"-43" 48-109 cm

Tilting and swivelling aluminium wall mount - Offset 122 mm - 1 arm

Ref. **048120** EAN 318528 048120 0



MAXI 15 KG

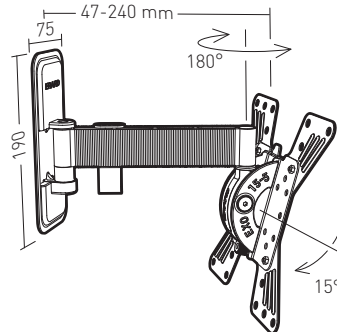


VESA
L50>H200

EXO 200TW2 **M** 19"-43" 48-109 cm

Tilting and swivelling aluminium wall mount - Offset 240 mm - 1 arm

Ref. **048220** EAN 318528 048220 7



MAXI 15 KG



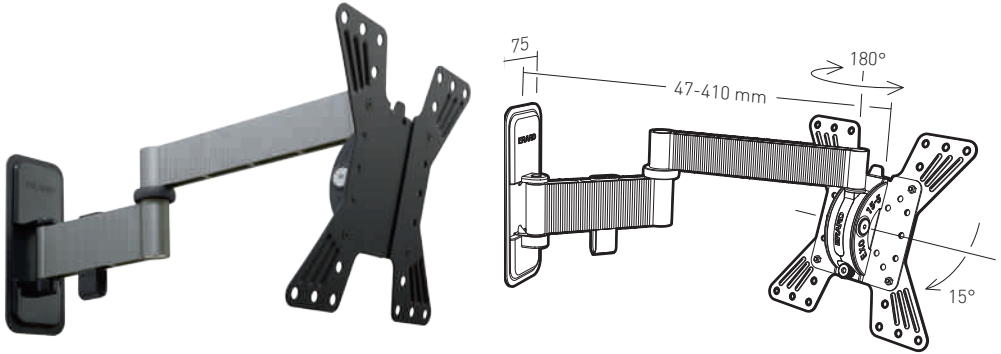
VESA
L50>H200



EXO 200TW3 M 19"-43" 48-109 cm

Tilting and swivelling aluminium wall mount - Offset 410 mm - 2 arm

Ref. **048320** EAN 318528 048320 4

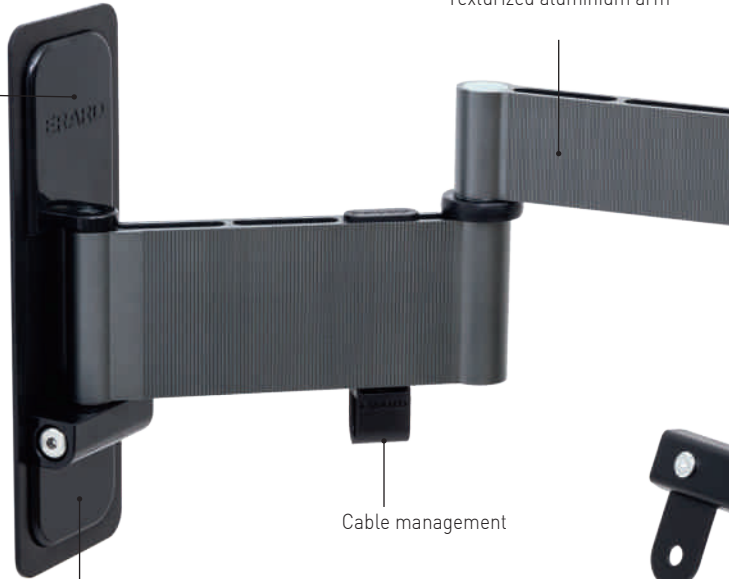
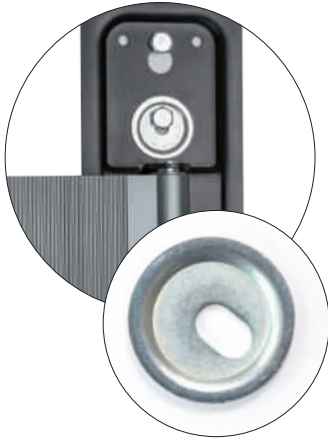


PREMIUM wall mounts



Texturized aluminium arm

Drilling adjustment
(PATENTED)



Cable management

← From 49 to 538 mm depending on the model →



Micro adjustment of the level (PATENTED)



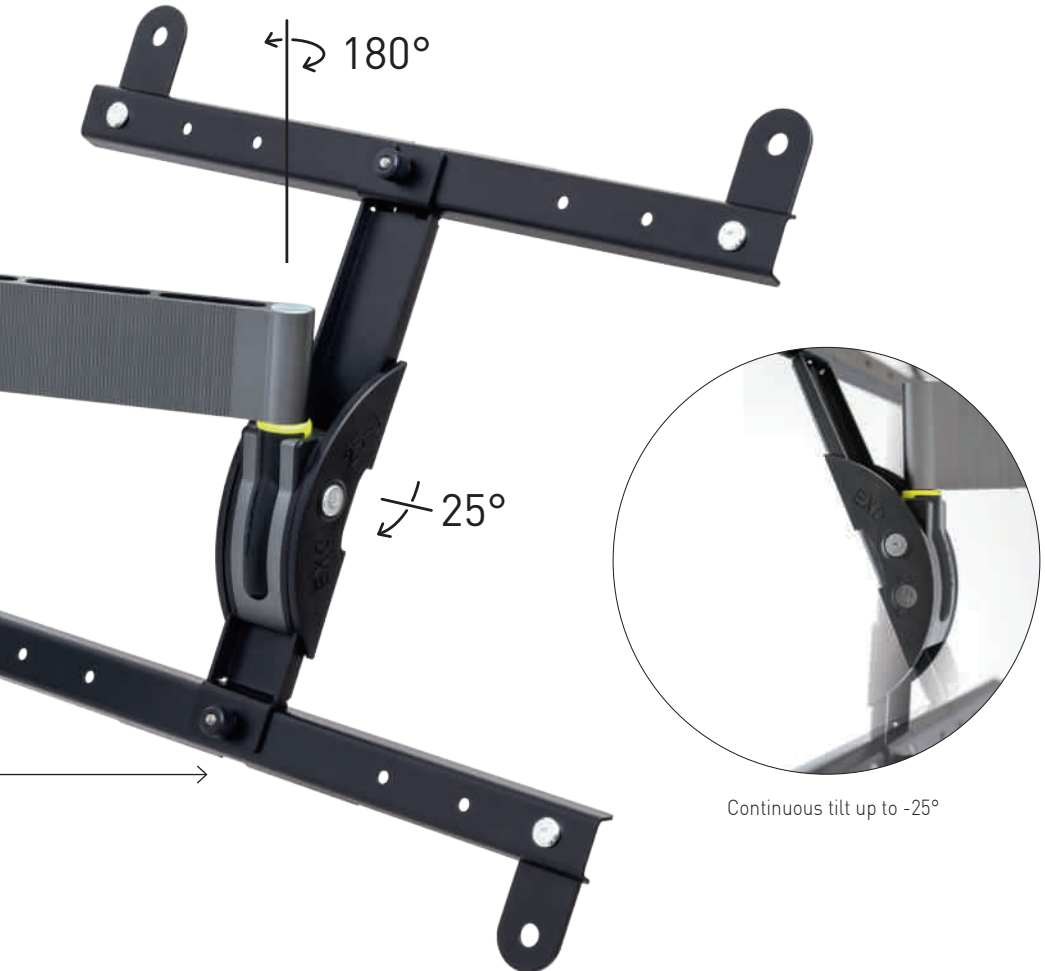
Discover the EX0 video



www.erard.com/exo400-600

EXO 400-600

LIFETIME WARRANTY



EXO 400/600 Tilting and swivelling PREMIUM wall mounts

- Tilting and swivelling
- Off-centre spacers to correct horizontality after drilling
- Patented micro adjustment system for perfect horizontality of the screen
- Texturized anodized aluminium arm, Titanium colour
- Screen and wall mount made of steel, black epoxy painting
- Compatible with LCD, QLED and OLED screens
- Compatible with screens with curved and irregular back panel (screws and spacers included)
- Delivered pre-assembled
- Magnetic cover for wall mount

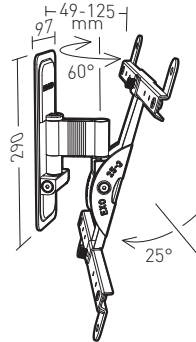


EXO 400

EXO 400TW1 30°-65° 76-165 cm

Tilting and swivelling aluminium wall mount - Offset 125 mm - 1 arm

Ref. **048140** EAN 318528 048140 8



MAXI 25 KG

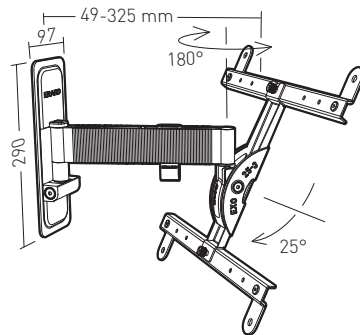


VESA
L200>H400

EXO 400TW2 30°-65° 76-165 cm

Tilting and swivelling aluminium wall mount - Offset 325 mm - 1 arm

Ref. **048240** EAN 318528 048240 5



MAXI 25 KG



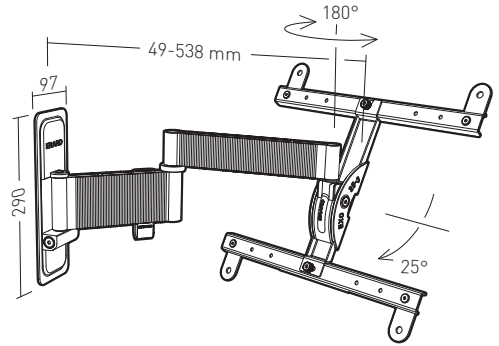
VESA
L200>H400



EXO 400TW3 30"-65" 76-165 cm

Tilting and swivelling aluminium wall mount - Offset 538 mm - 2 arms

Ref. **048340** EAN 318528 048340 2



EXO 600

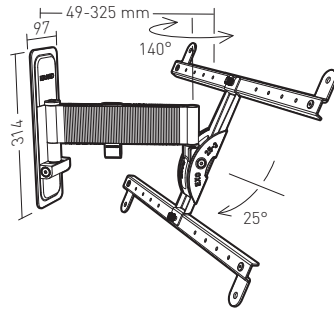
EXO **600**TW2 **XL** 40"-85"
101-215 cm

Tilting and swivelling aluminium wall mount - Offset 325 mm - 1 arm

Ref. **048260**

EAN

318528 048260 3



MAXI 35 KG



VESA
L200>H600X400



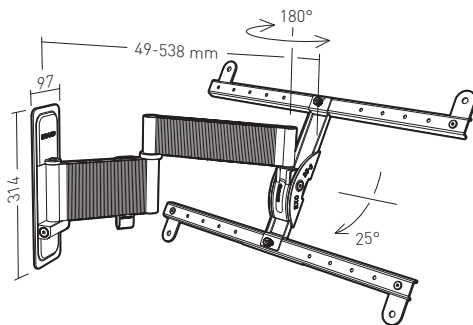
EXO **600TW3** **XL** 40"-85"
101-215 cm

Tilting and swivelling aluminium wall mount - Offset 538 mm - 2 arms

Ref. **048360**

EAN

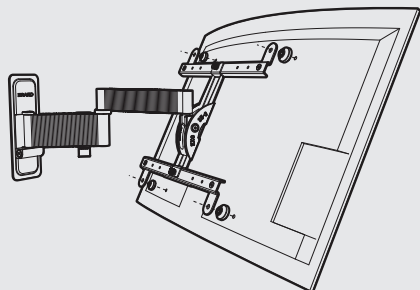
318528 048360 0



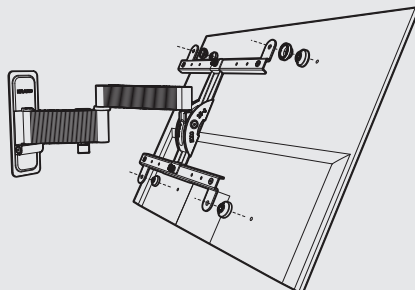
MAXI 35 KG



Compatible with screens with curved and irregular back panel



For curved TV panel



For screens with irregular back panel



OLED screen compatible

EXO Range

Tilting and swivelling aluminium wall mount

TILTING
AND SWIVELLING

| M | 15"-37" | L | 30"-55" | XL | 40"-75" |
|------------------|---------|----------|---------|------------|---------|
| | 38-94cm | 76-140cm | | 102-190cm | |
| 15" | 30" | 37" | 40" | 55" | 75" |
| EXO 200TW1 | 048120 | | | | |
| EXO 200TW2 | 048220 | | | | |
| EXO 200TW3 | 048320 | | | | |
| EXO 400TW1 | | | 048140 | | |
| EXO 400TW2 | | | 048240 | | |
| EXO 400TW3 | | | 048340 | | |
| EXO 400TW3 blanc | | | 048341 | | |
| | | | | EXO 600TW2 | 048260 |
| | | | | EXO 600TW3 | 048360 |

ERARD®

ESSENTIAL ACCESSORIES
FOR AUDIO VIDEO COMPONENTS

E-Mail: export@erard.fr / www.erard.com / Tel.: +33 (0)4 72 46 16 26 / Fax: +33 (0)4 72 46 16 22

VAT N° : FR 81 403 591 415

Z.I. de Chavanoz / 4 route de la Plaine / 38230 CHAVANOZ / FRANCE

