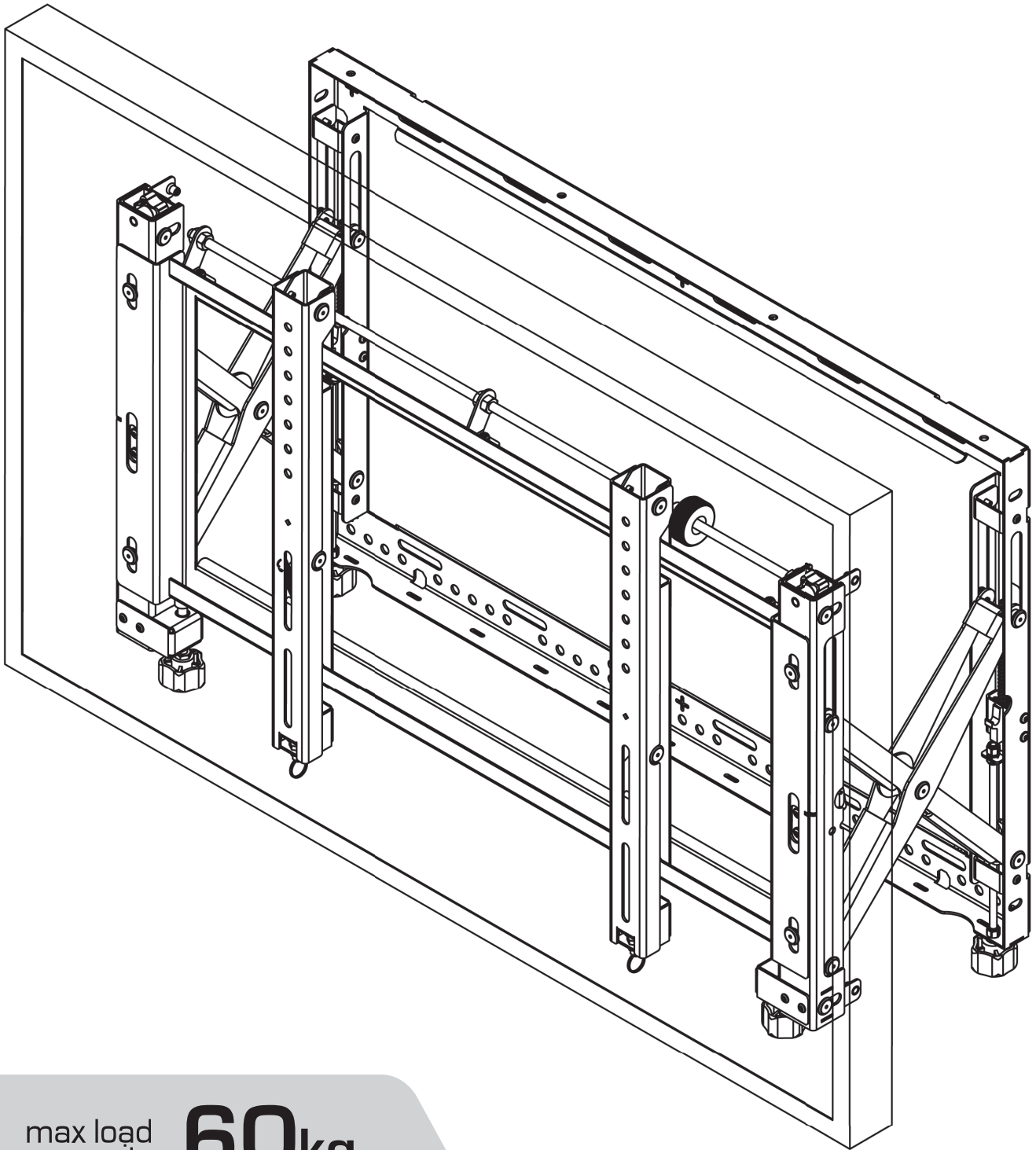


## VWPOP65-L

### 42"-65" Pop-Out Universal Video Wall Mount, Landscape

ver. 1.1 0814



max load  
capacity: **60kg**

# 1

## 1. SAFETY INSTRUCTIONS:

Warning:

Please read this manual carefully prior to any installation to ensure proper assembly. The assembly should be carried out in accordance with this manual by at least two persons with sufficient qualifications and experience in assembly. EDBAK Company shall not be liable for any material or property damage or bodily injury resulting from improper assembly. Therefore, you should always follow the instructions:

- the accompanying elements are intended for mounting on walls of solid wood, brick or concrete with the use of appropriate screws that are included into the product. In the case of any other type of walls, please consult a person with sufficient qualifications in construction;
- during the assembly, please follow the instructions carefully. Otherwise it may result in product damage or even personal injury;
- before the assembly you must ensure that under the surface of the wall where the mount is to be fixed there are no power cables, water or sewage pipes or gas installations;
- make sure that the supporting surface will safely support the combined load of all attached hardware and components.
- this product is intended for indoor use only;
- this product was designed, to be installed also in public areas.
- do not install the product if it is damaged;
- while fixing the screen on the mount, please ensure that the screws are of correct length and diameter. In order to ensure the correct length and diameter, you may use the accompanying plastic pads. Use of improper screws may result in permanent product damage. Extra caution should be given with movable elements in order to prevent crushing or injury to your hands or fingers. This manual indicates such elements so please note them carefully.

The terms of the product guarantee are set forth in the guarantee card.

Keep these instruction.

# 2

## 2. TABLE OF CONTENTS:

1. Safety instructions
2. Table of contents
3. Tools required for installation
4. Parts list
5. Installation to Brick or Concrete Wall
6. Installation to Wood Stud Wall
7. Multiple Display Assembly - use of optional spacers.
8. Attaching front plates to Display
9. Attaching Display to frame
10. Display Adjustment
  - Service Access
  - Springs Adjustment
  - Vertical and Horizontal Adjustment
  - Display Micro adjustment
11. Cable management

# 3

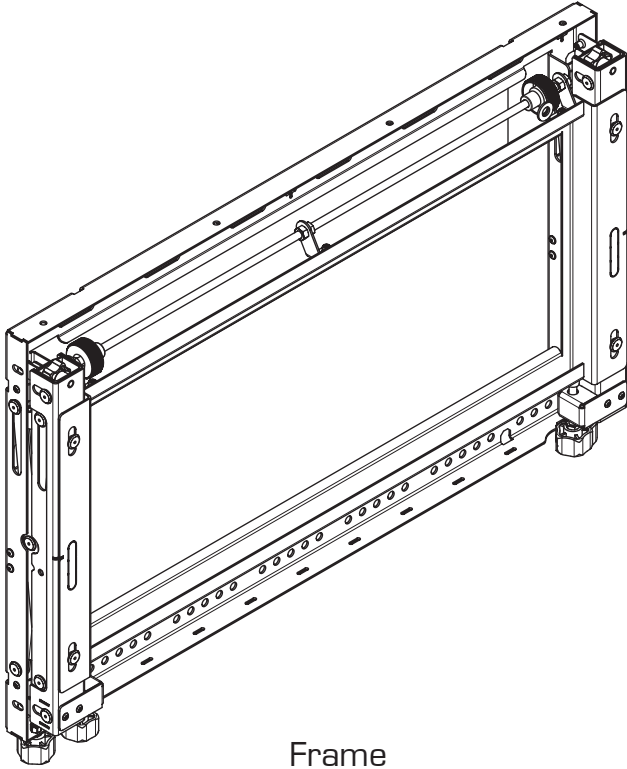
## TOOLS REQUIRED FOR INSTALLATION:

(NOT INCLUDED)

- Spirit Level
- Stud finder
- Drill
- Drill bit
- Pencil
- Phillips screwdriver
- Wrench

# 4

## PARTS LIST:



Frame



2x mounting adapters



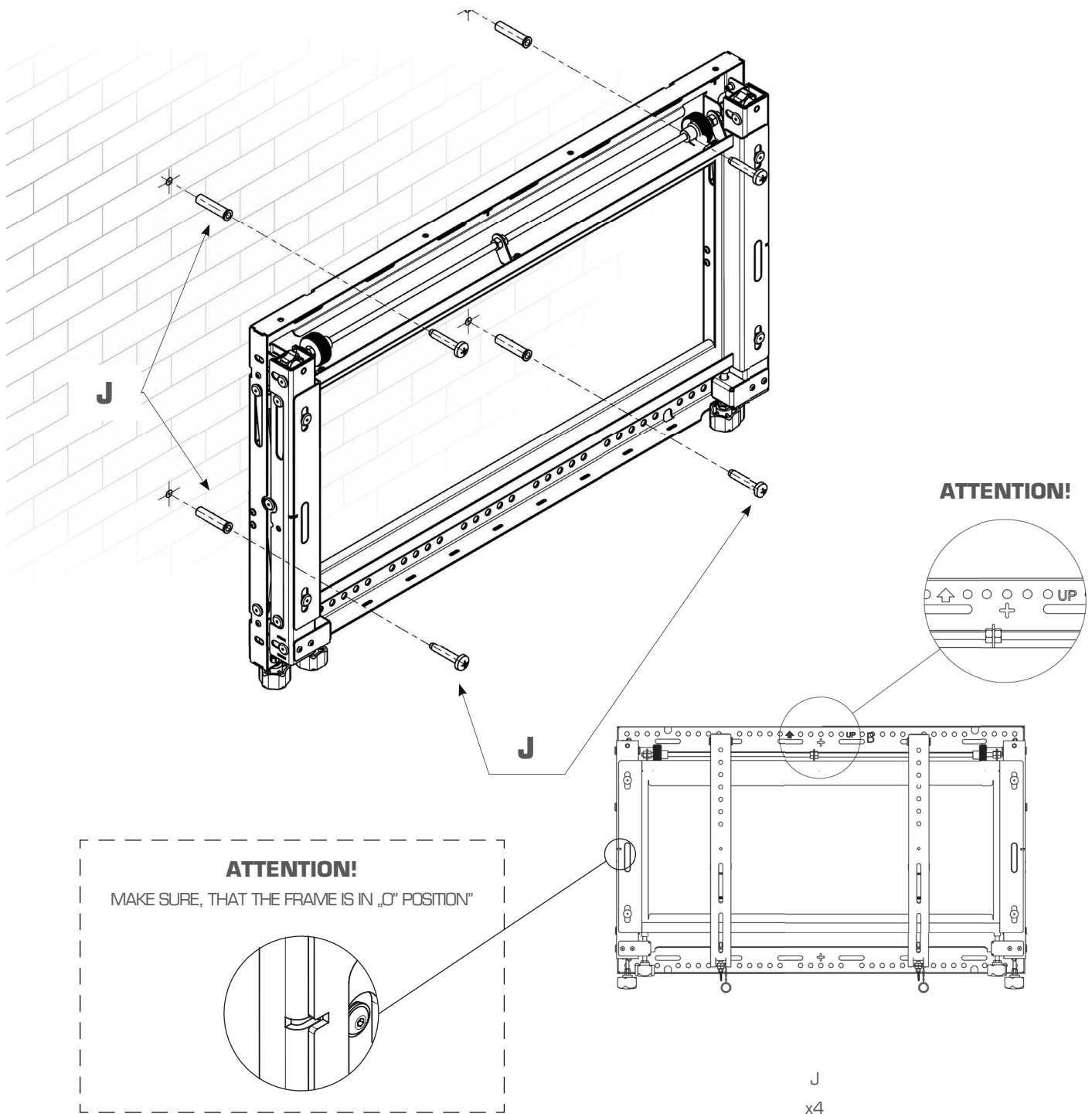
### Part list

A			Ø5	x4
B			Ø8	x4
C			Ø15xØ8,4x5	x4
D			Ø15xØ8,4x10	x4
E			M4x20	x4
F			M5x20	x4
G			M6x20	x4
H			M8x20	x4
I			M5x16	x2
J			10x80	x6
K				x1
L				x5
M			M6x80	x6
Screws and Allen keys (included)				
			Allen Key 3, 4, 5, 6	x1

# 5

## INSTALLATION TO BRICK OR CONCRETE WALL

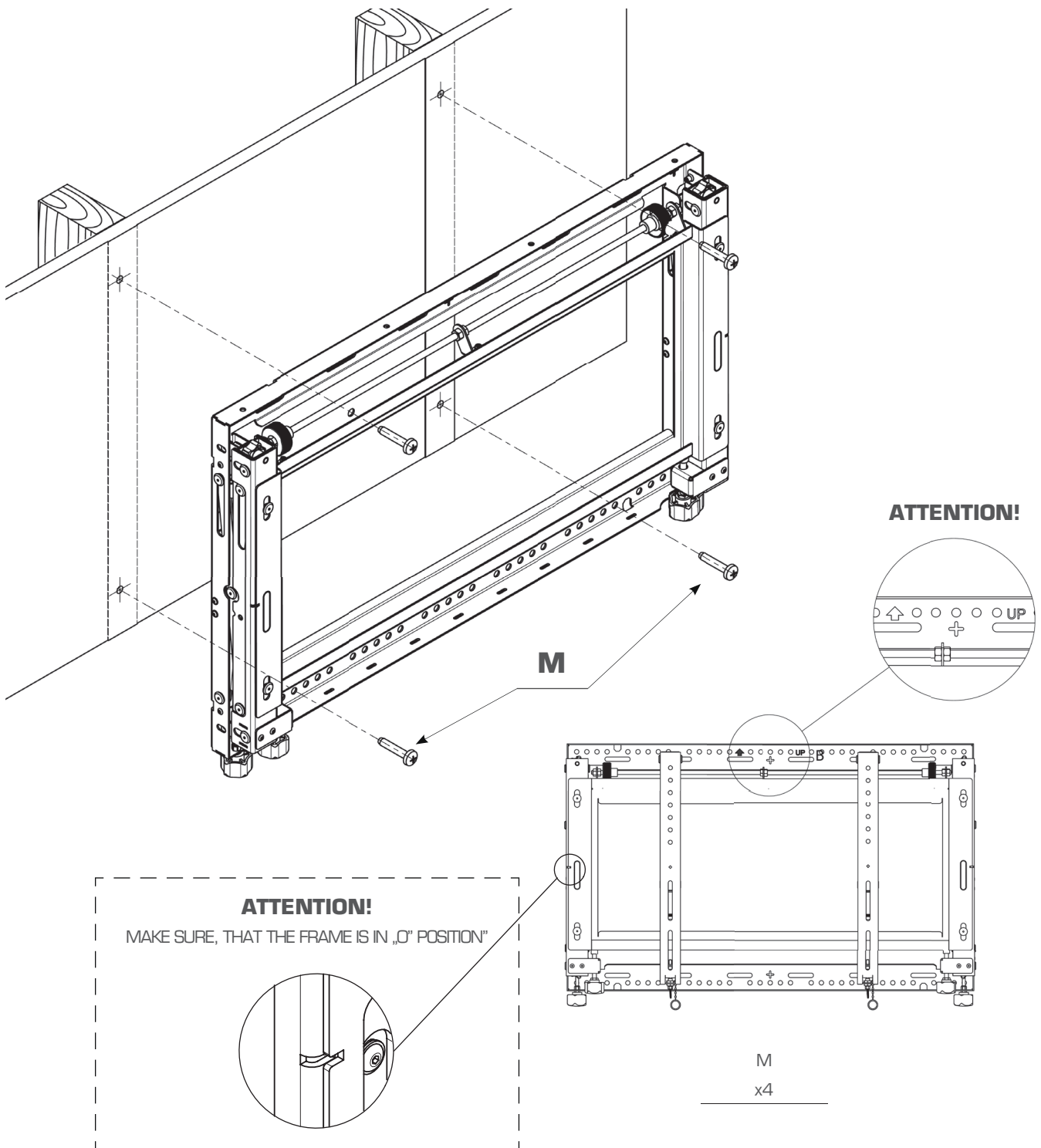
- For the installation two people are required.
- Locate first the Mount on the wall - make sure that the mount is level.
- Mark four mounting holes. Make sure that the Mount is level. The frame must be fixed with minimum of four screws.
- Insert anchors in the holes
- Place Mount assembly over anchors and secure with four screws



# 6

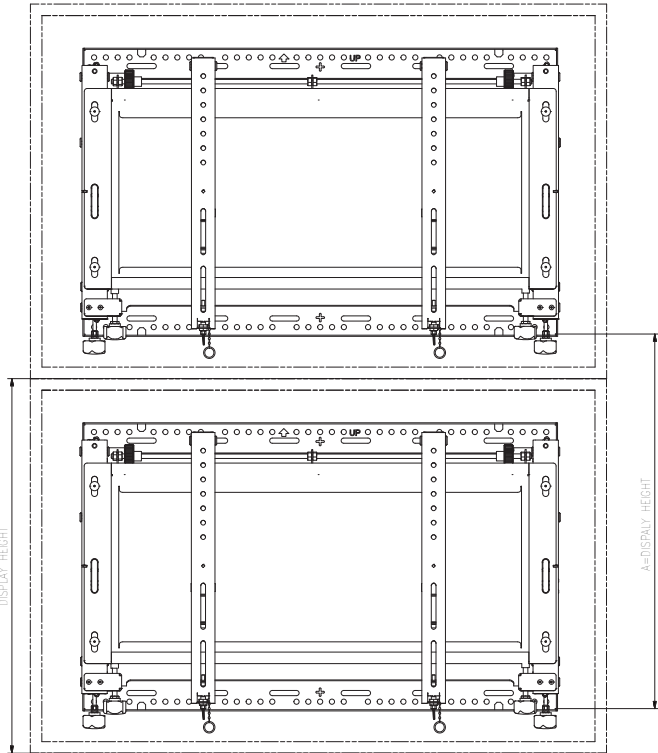
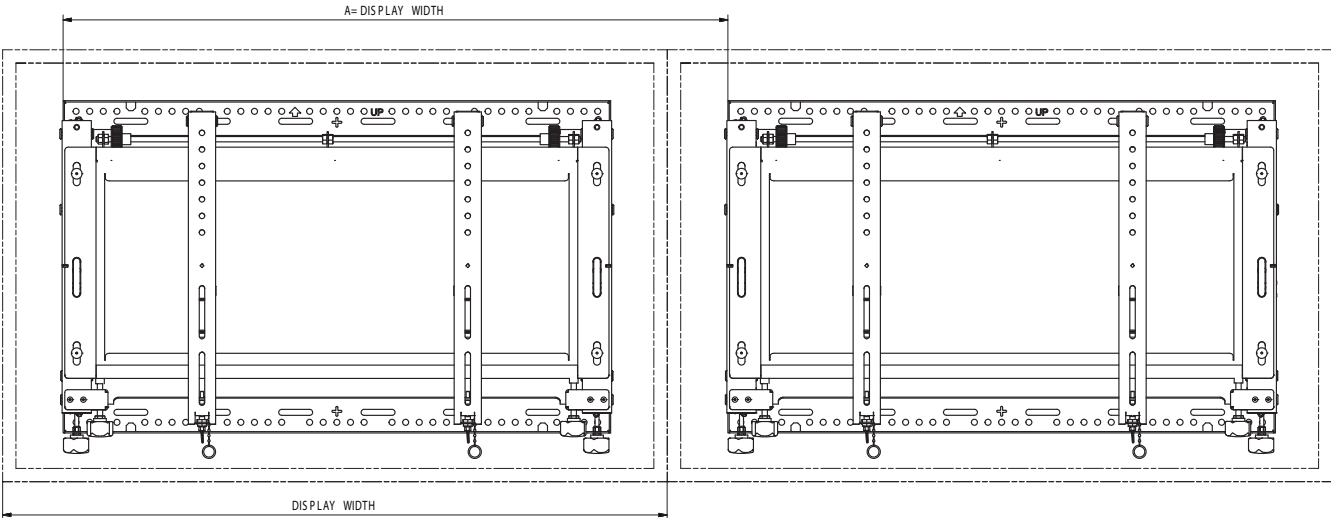
## INSTALLATION TO WOOD STUD WALL

- For the installation two people are required.
- Use an edge-to-edge stud finder. Draw a vertical line down the stud center.
- Locate first the Mount - make sure that the mount is level.
- Mark four mounting holes. Make sure that the Mount is level. The frame must be fixed with a minimum of four screws.
- Drill four holes.
- Insert anchors in the holes.
- Place Mount assembly over anchors and secure with four screws.



# 7

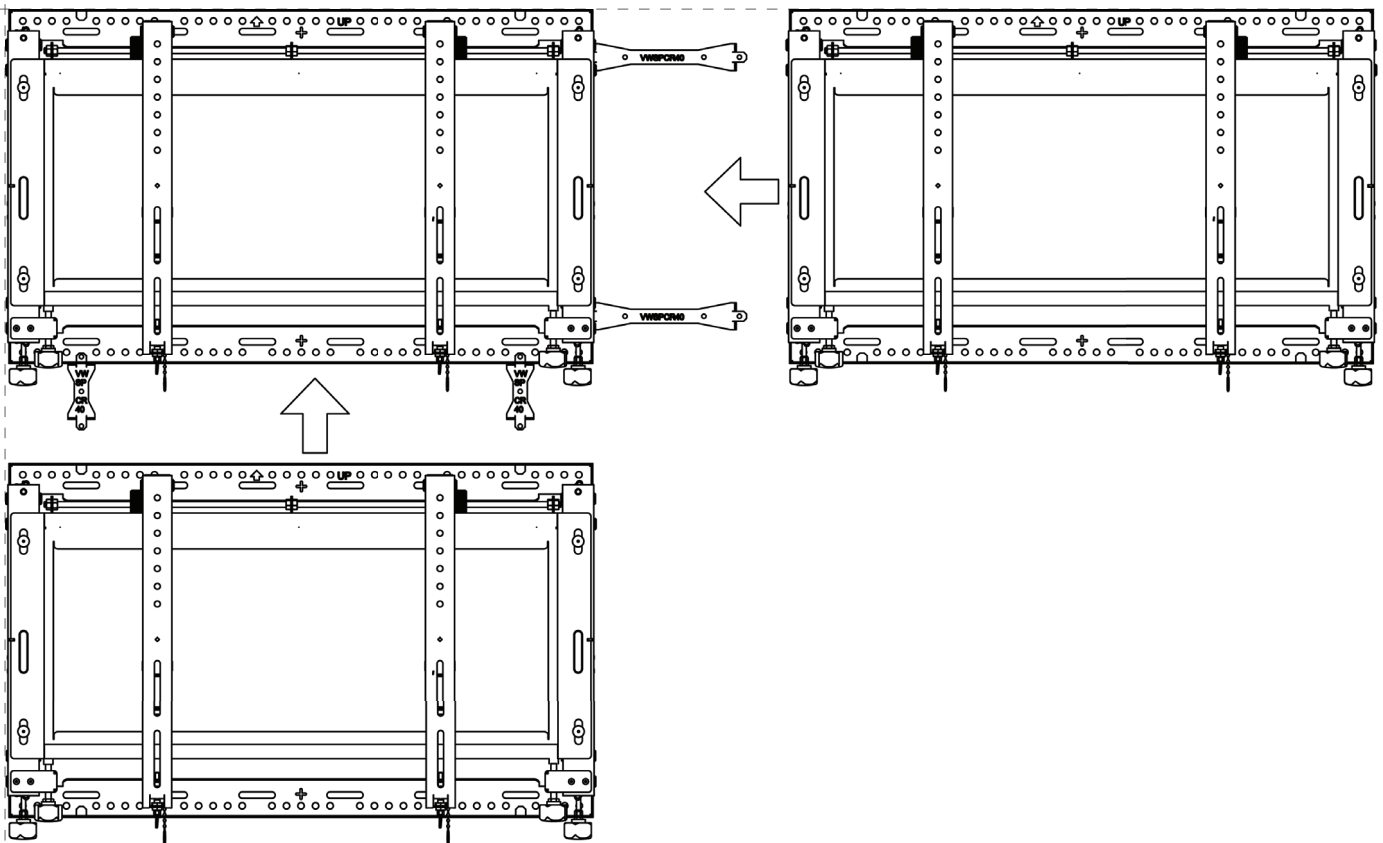
## MULTIPLE DISPLAY ASSEMBLY - WITHOUT SPACERS



# 8

## MULTIPLE DISPLAYS ASSEMBLY- USE OF OPTIONAL SPACERS

- Install first Mount on the wall - see step 5 or 6 depending on wall structure
- Additional frames can be installed using optional spacers (not included)
- Designate a horizontal and a vertical line on the wall. Lines will help in mounting additional Mounts.
- Slide spacers into tab opening of mounted wall plate.
- Follow main instructions for correct installation of additional wall plates



**ATTENTION!**

VWSPCR40

HORIZONTAL ORIENTATION

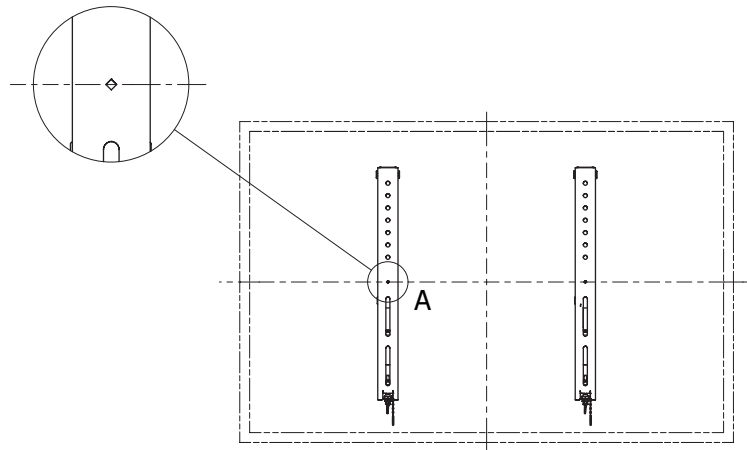
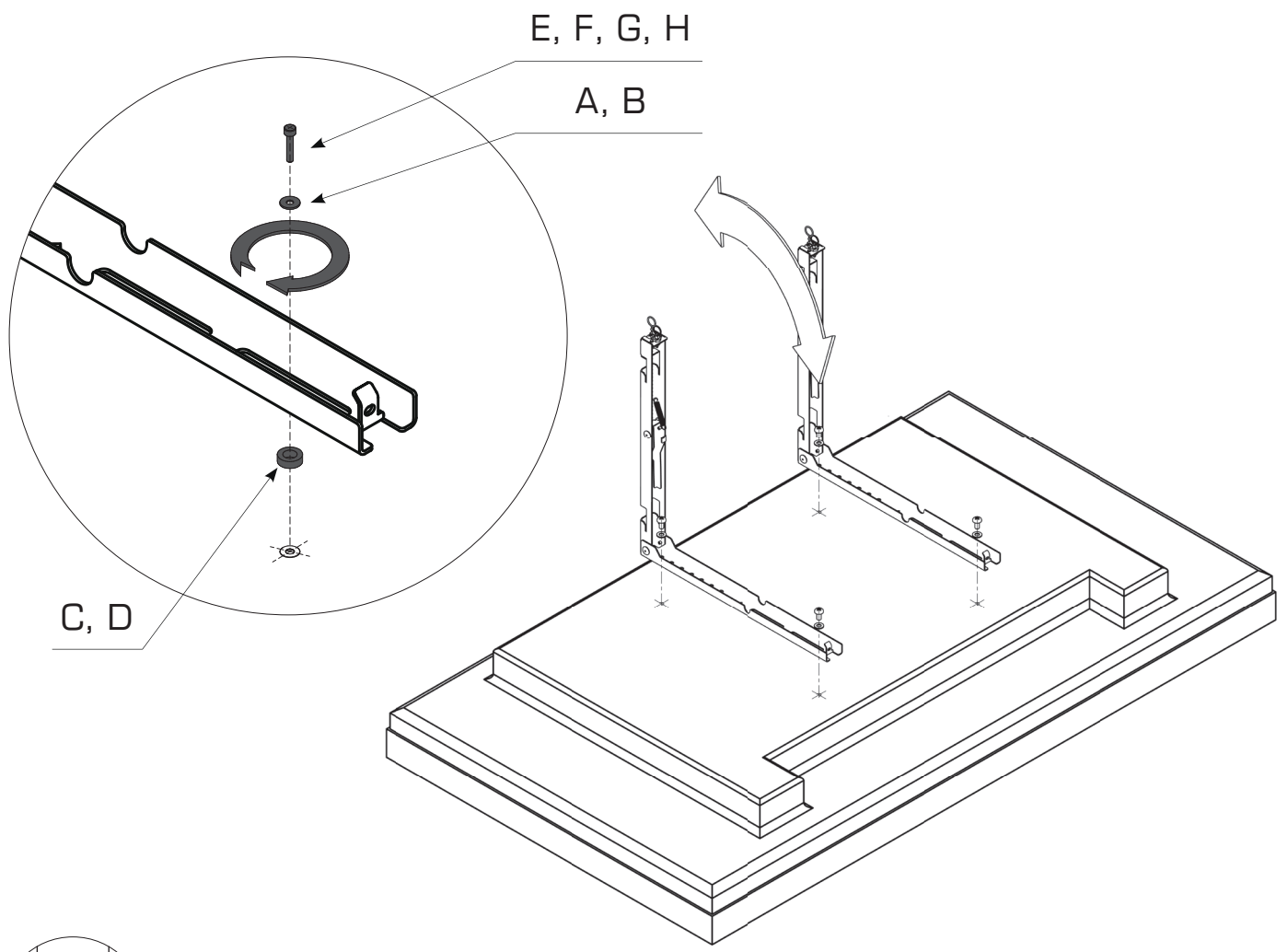
VW  
SP  
CR  
40





VERTICAL ORIENTATION

# 9

## ATTACHING FRONT PLATES TO THE DISPLAY

- Place display face down on a soft surface.
- Select screw diameter and length with mounting holes on display. If it is necessary, use spacers included with screws set.
- Pull up rear part of the mounting arms.
- Make sure the diamond markings on the front plates are located in the center of the display.
- Use chosen screws (and spacers if it is necessary) to connect the front plates to the display.

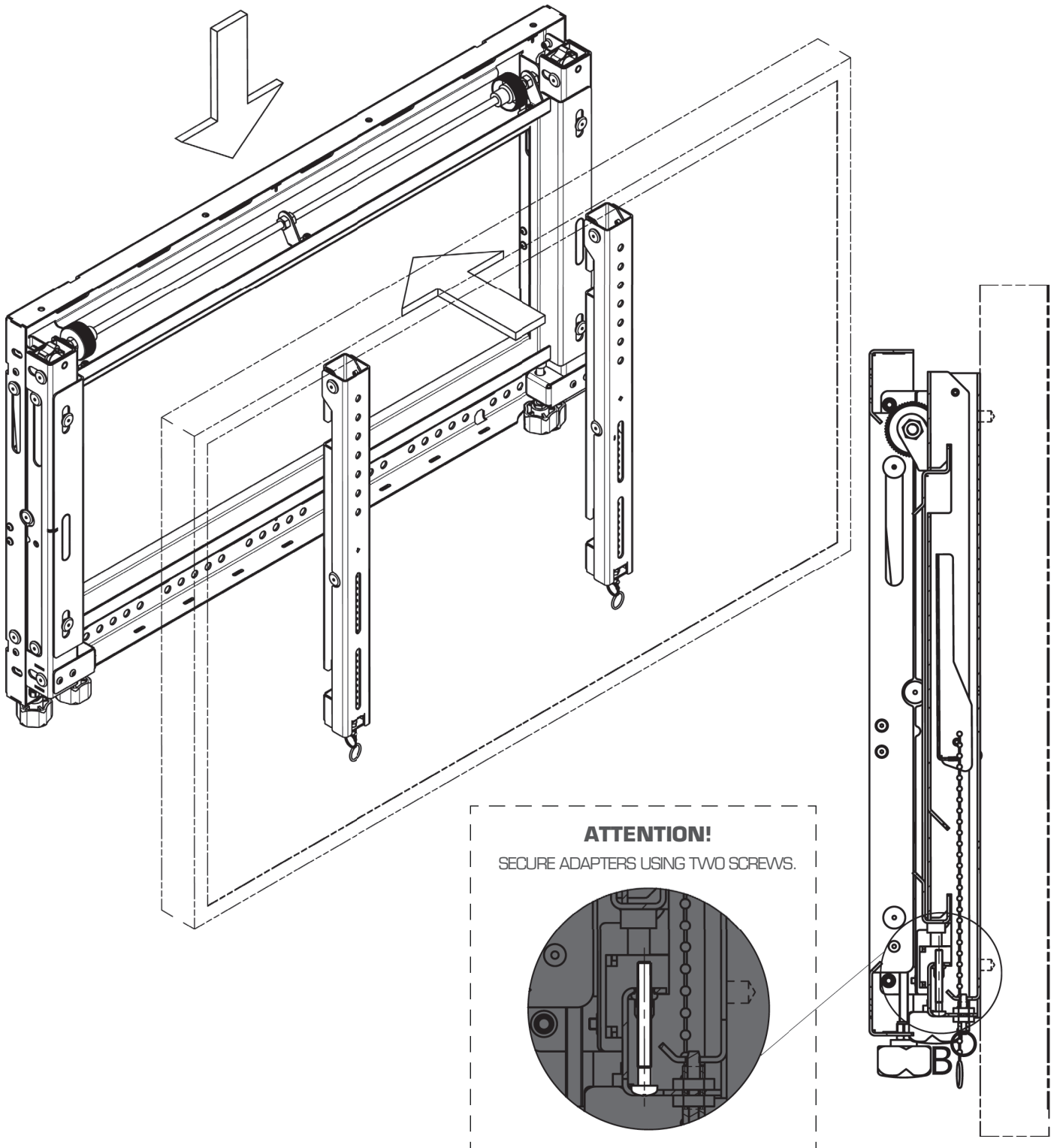


A x4; B x4				
	Ø5	Ø8		
C x4; D x4				
	Ø15xØ8,4x5	Ø15xØ8,4x10		
E x4; F x4 G x4; H x4	M4x20	M5x20	M6x20	M8x20



## 10 ATTACHING DISPLAY TO FRAME

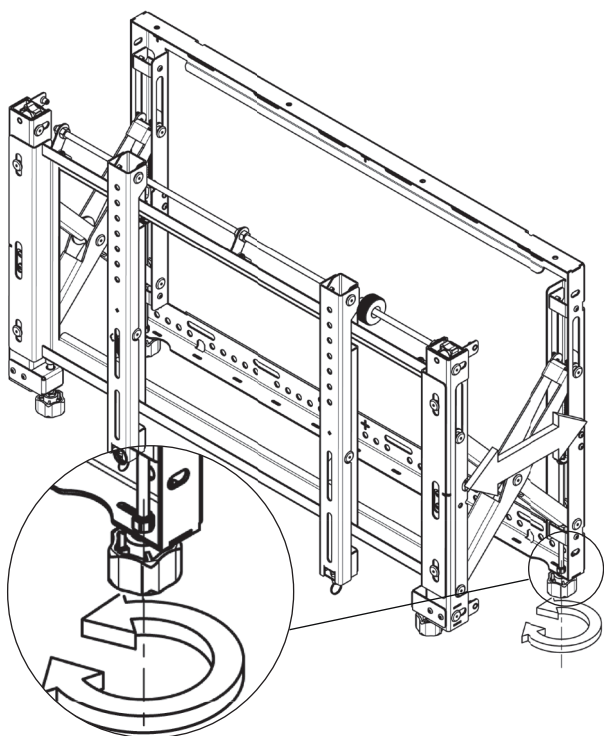
- Attach Display with the front plates to the frame- two people are required.
- Place display in desired position on the frame.
- Secure each front plate using the screw, which is located at the bottom of mounting arms.



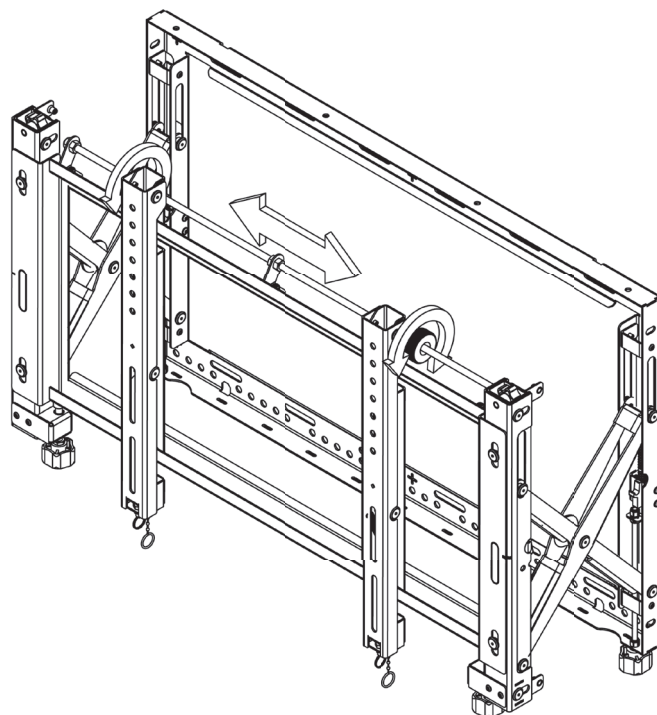
# 11 DISPLAY ADJUSTMENT

- 1 Springs Adjustment
- 2 Horizontal Adjustment
- 3 Vertical Adjustment
- 4 Tilting Adjustment
- 5 Display Micro adjustment
- 6 Security System
- 7 Service Access - security screws

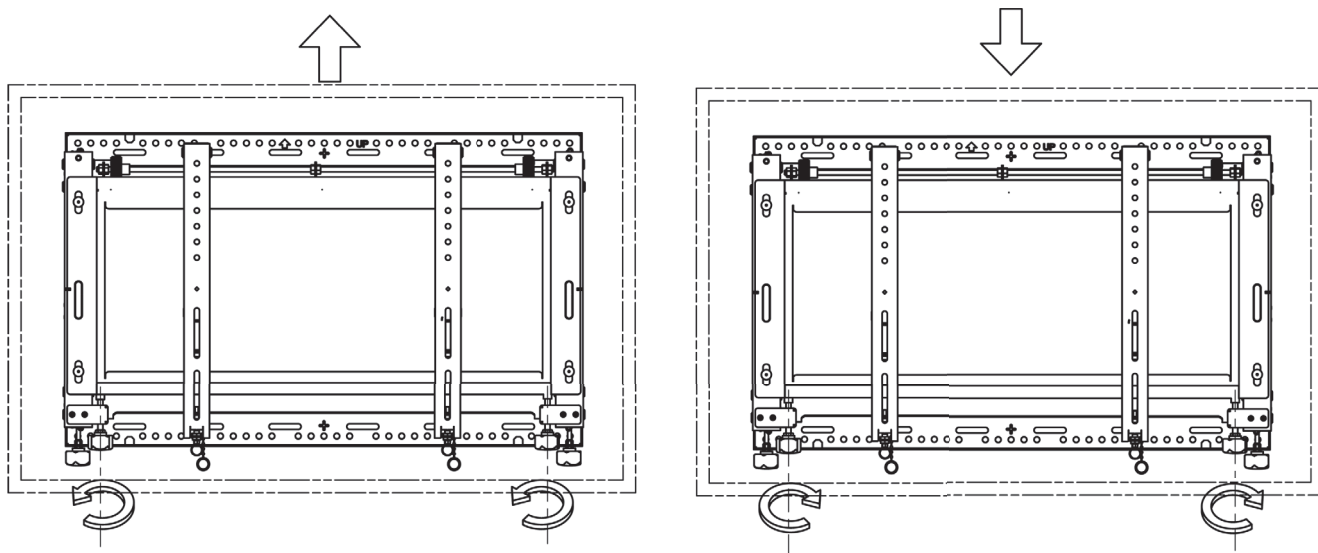
1. SPRING ADJUSTMENT



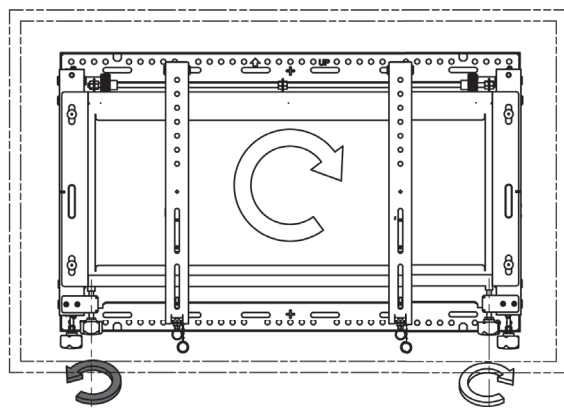
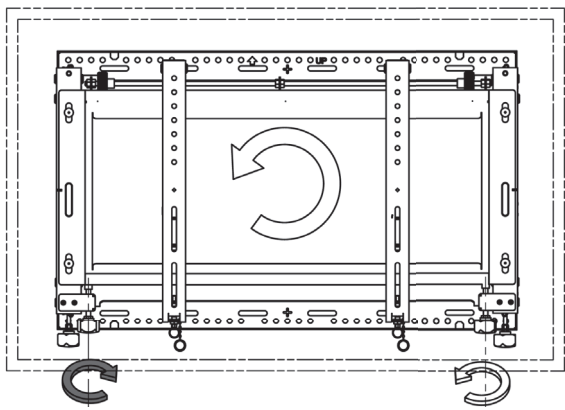
2. HORIZONTAL ADJUSTMENT



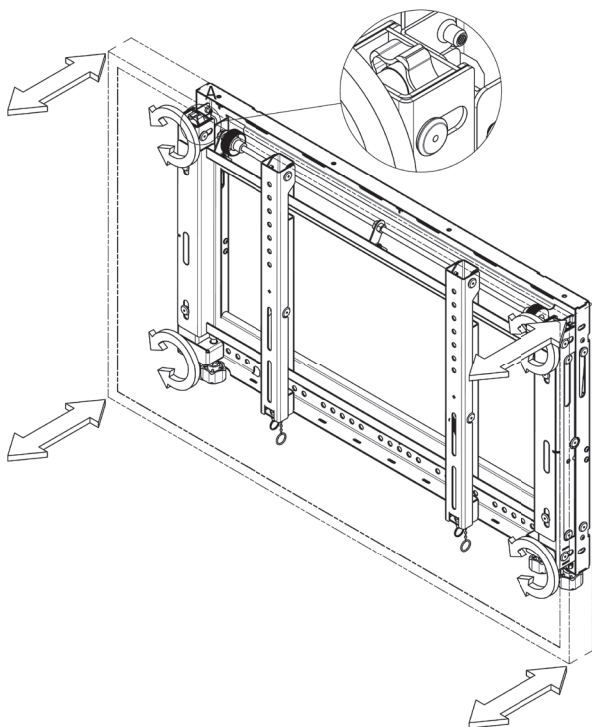
3. VERTICAL ADJUSTMENT



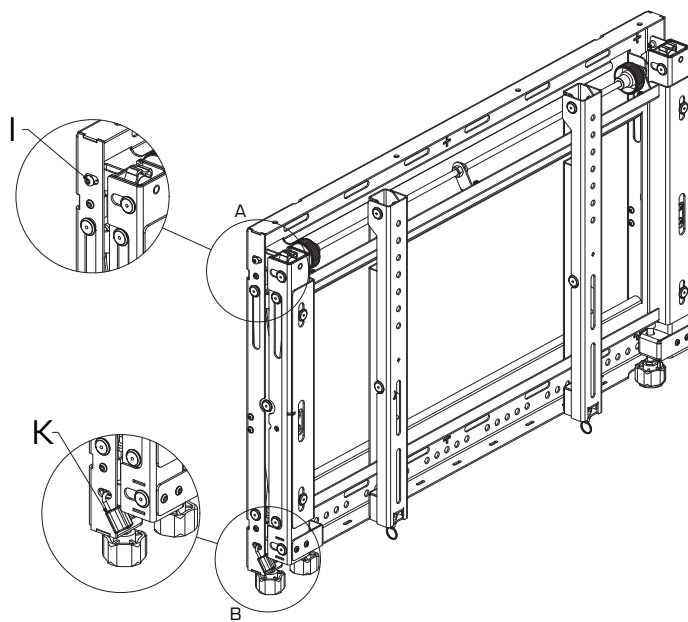
4. TILTING ADJUSTMENT



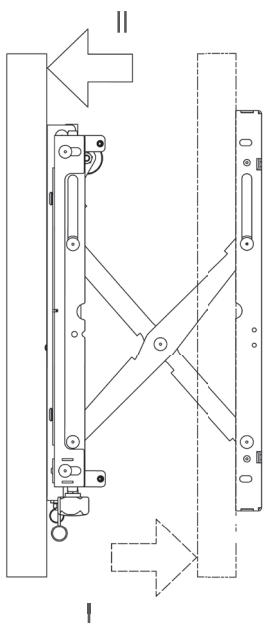
5. DISPLAY MICRO ADJUSTMENT



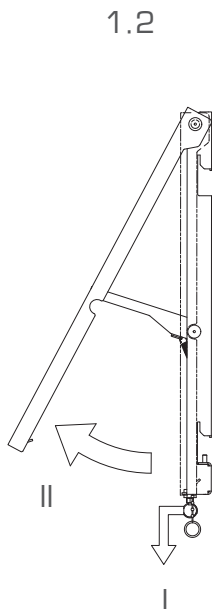
6. SECURITY SYSTEM



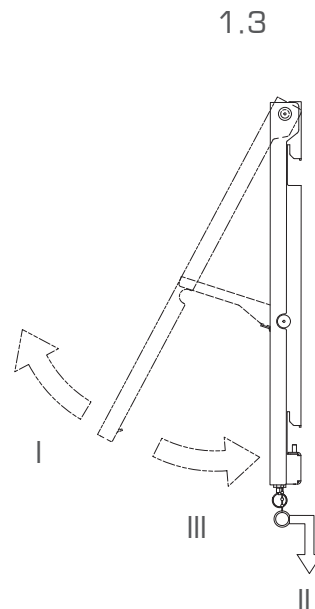
7. SERVICE ACCES



1.1



1.2

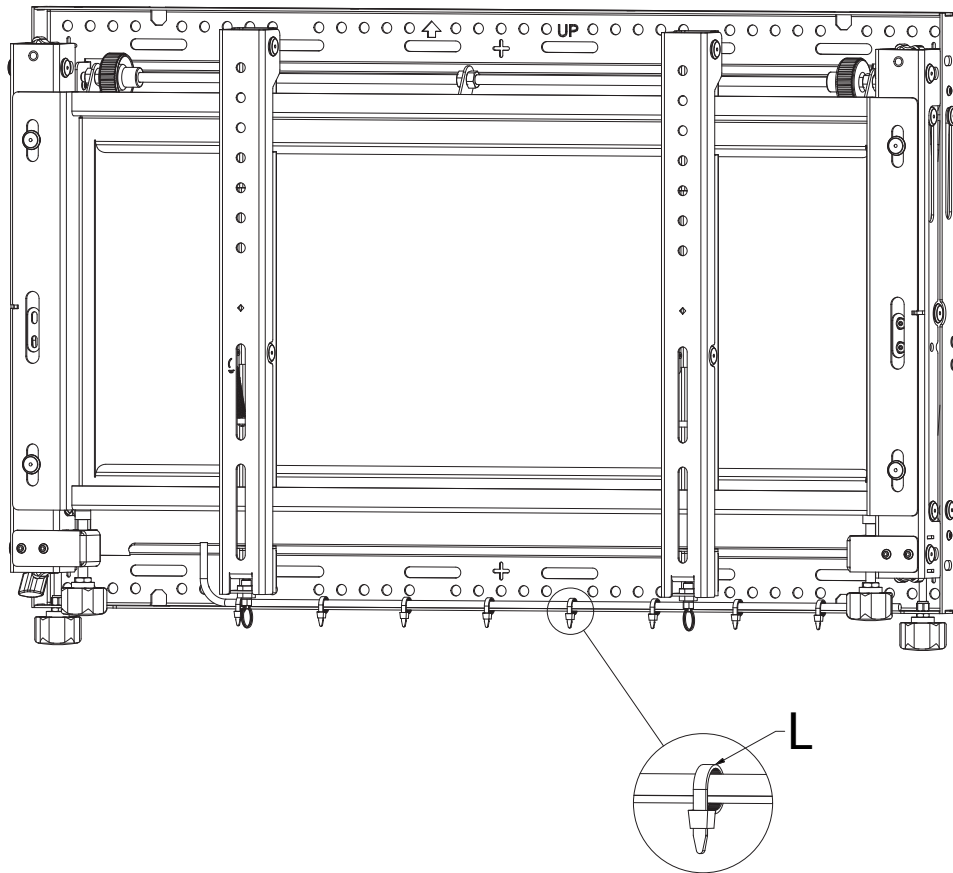


1.3

# 12

## CABLE MANAGEMENT

- Cable ties “L” fixed to the cable management slots, situated on the bottom sections of the frame, can be used to secure display cables.



### Contact Details

Edbak Ltd.  
Piotrowice 186  
23-107 Strzyzewice  
Poland

[www.edbak.com](http://www.edbak.com)  
[info@edbak.com](mailto:info@edbak.com)

Tel. +48 81 562 81 19  
Fax +48 81 562 82 90