

TR51

FLAT SCREEN TROLLEY

FOR ONE 37"-65" SCREEN

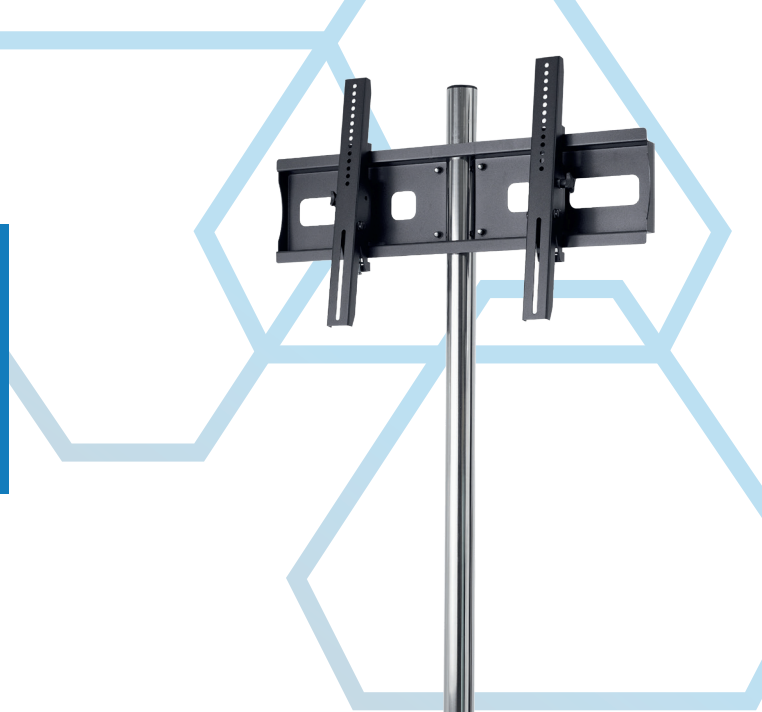
This universal video conferencing trolley is designed for conference rooms, offices, educational facilities and exhibition fairs. TR51 is equipped with intuitive adjustment of screen height and a system that protects the monitor against falling. Seamless adjustment of screen tilt allows you to adjust the image to the needs of the audience. Cable management system allows the cables to be hidden, thus creating an aesthetic and smart installation.

FEATURES

- Fully adjustable height
- Screen tilt adjustment
- Simple and quick installation
- Cable management system to hide cables
- Includes 4 reinforced braked casters

PRODUCT SPECIFICATIONS

Short index	TR51
Category	Flat Screen Trolleys Universal Series
Product group	Trolleys & Stands
Colour	Black
Warranty	Limited 5-years
Number of screens	1
Minimum screen size	37"
Maximum screen size	65"
Maximum load	80 kg
Forward tilting	-12°/+6°
Height adjustment	Yes
VESA Mounting Compatibility	100x100 up to 600x400



37"-65"



100x100
600x400



-12°/+6°



80 kg



RoHS
Compliant



Fully adjustable height



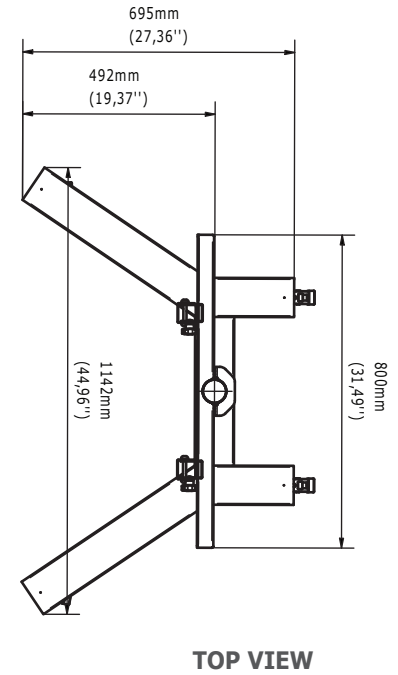
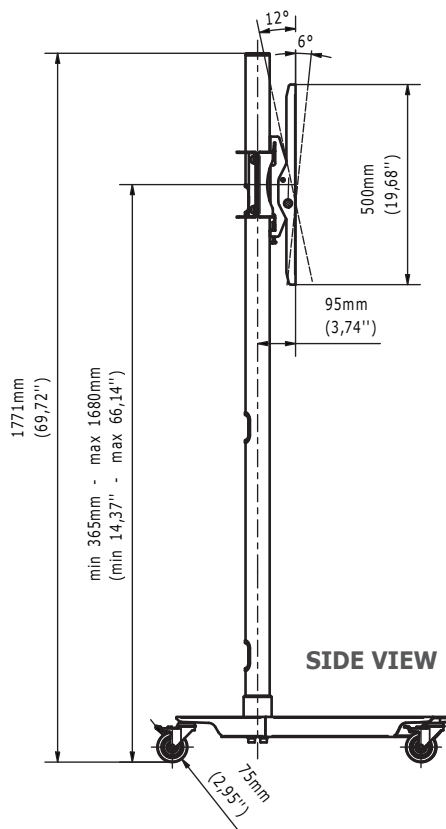
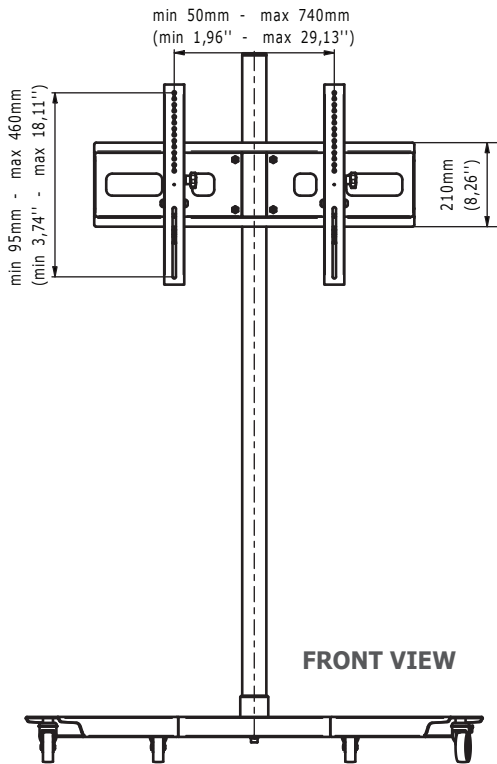
Possibility of tilting tilt the screen from -6° to +12°



Cable management system to hide cables



Includes 4 braked casters



TECHNICAL SPECIFICATIONS

Product dimensions	W: 1142 mm D: 695 mm H: 1771 mm (W:44,96" D:27,36" H:69,72")
Product weight	24 kg (53 lb)
Max. distance from the floor to the center of the screen	1680 mm (66,14")
Min. distance from the floor to the center of the screen	365 mm (14,37")
Max. mounting pattern	740 mm x 460 mm
Min. mounting pattern	50 mm x 95 mm

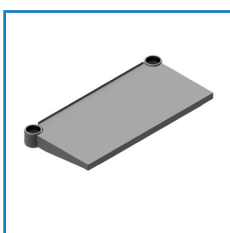
LOGISTICS DATA

PLEASE NOTE - THIS PRODUCT IS PACKED IN SEVERAL CARDBOARD PACKAGES

SAP INDEX	EAN CODE	COLOUR	PACKAGE DIMENSIONS	PACKAGE WEIGHT
WWTR-TR51c-B	5908252965748	BLACK	1(2) 1200 x 800 x 120 mm 47,24 x 31,50 x 4,72"	1(2) 21,5 kg 47 lb
			2(2) 1750 x 220 x 150 mm 68,90 x 8,66 x 5,91"	2(2) 6,5 kg 14 lb

HS Code (Harmonized System): 732690, HTS Code (Harmonized Tariff Schedule): 7326909890, Country of Origin: Poland

ACCESSORIES AND RELATED PRODUCTS



TRSM1



TRS4



TR1



TR5