

TR5

FLAT SCREEN TROLLEY

FOR ONE 42"-65" SCREEN

TR5 is a universal video conference trolley. The lightweight and minimalist design of powder-coated steel and polished tubes makes it perfect for any interior such as offices, conference rooms and waiting rooms. Adjustable height and the possibility of tilting the screen make TR5 extremely functional. TR5 features a cable management system to hide cables and keep the aesthetic, smart appearance of the entire installation. Castors with a braking mechanism ensure mobility.

FEATURES

- Simple and quick installation
- Aesthetic design of powder-coated steel and polished tubes
- Adjustable height
- Possible tilting
- Cable management for smart installation
- Includes 4 braked castors
- Possible change of screen adapter

PRODUCT SPECIFICATIONS

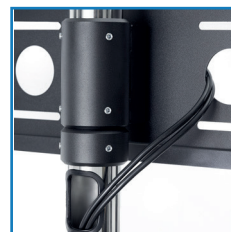
Short index	TR5
Category	Flat Screen Trolleys Universal Series
Product group	Trolleys & Stands
Colour	Black
Warranty	Limited 5-years
Number of screens	1
Minimum screen size	42"
Maximum screen size	65"
Maximum load	80 kg
Forward tilting	-9°/+6°
VESA Mounting Compatibility	100x100 up to 600x400



Fully adjustable height



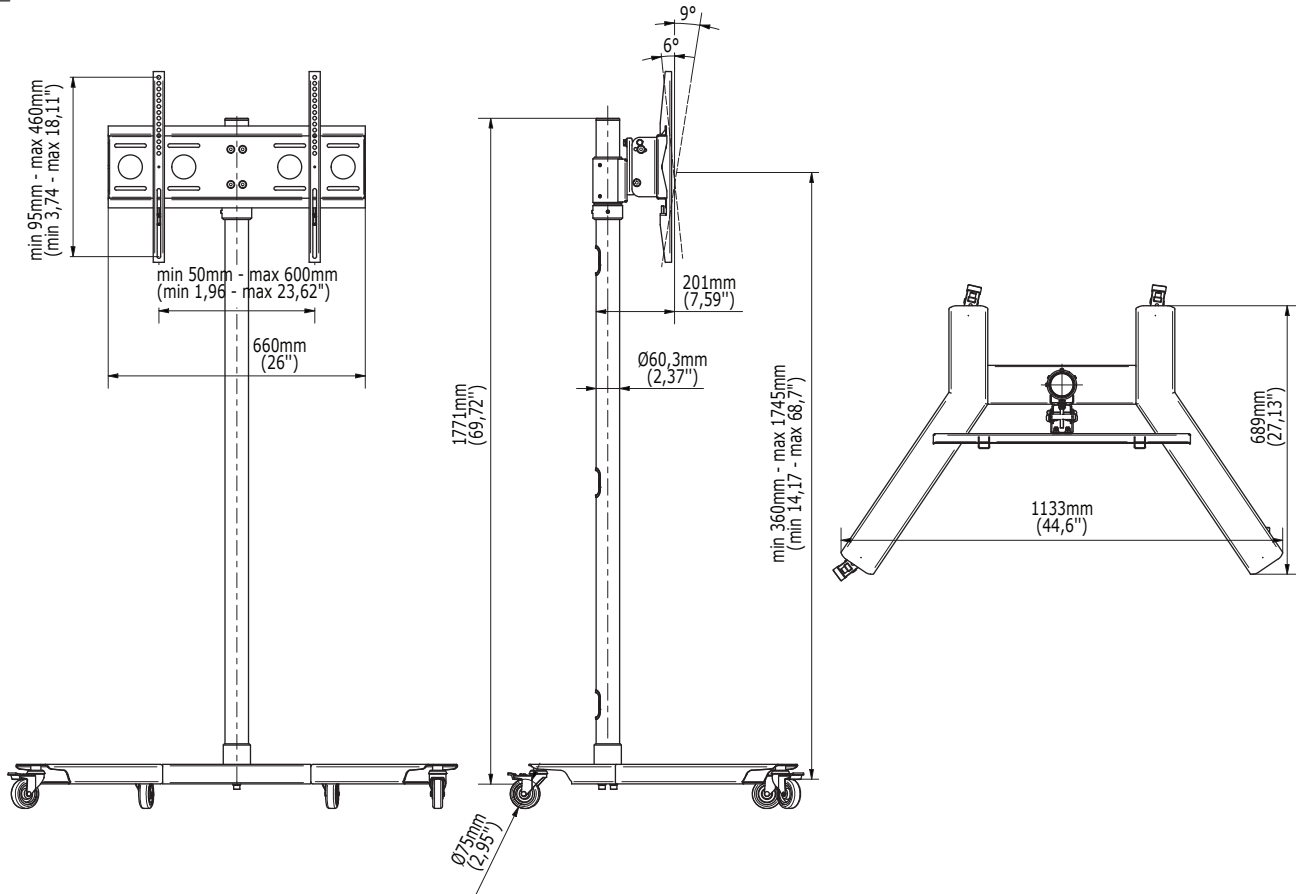
Possibility of tilting the screen from -6° to +9°



Cable management system



Includes 4 locked castors



TECHNICAL SPECIFICATIONS

Product dimensions	W: 695 mm D: 1142 mm H: 1771 mm (W:27,36" D:44,96" H:69,72)
Product weight	28 kg (62 lb)
Max. distance from the floor to the center of the screen	1745 mm (68,70)
Min. distance from the floor to the center of the screen	360 mm (14,17)
Max. mounting pattern	600 mm x 460 mm
Min. mounting pattern	50 mm x 95 mm

LOGISTICS DATA

SAP INDEX	EAN CODE	COLOUR	PACKAGE DIMENSIONS	PACKAGE WEIGHT
WWTR-TR5c-B	5908252961412	BLACK	1750 x 785 x 275 mm 68,90 x 30,91 x 10,83"	32 kg 71 lb

HS Code (Harmonized System): 732690, HTS Code (Harmonized Tariff Schedule): 7326909890, Country of Origin: Poland

ACCESSORIES AND RELATED PRODUCTS



CH4/CH5



TRS4



TR51



TR1

2021 - EDBAK Sp. z o.o. All rights reserved.
The information included in the specifications reflects the current technical specifications at the time of printing. We reserve the right to modify technical or physical specifications without prior notice. EDBAK name and EDBAK logo are registered trademarks of EDBAK Sp. z o.o. All EDBAK images and symbols are sole property of EDBAK Sp. z o.o. Edbak shall not be held liable for any loss or damage caused by incorrect installation or mounting. Copying this specification in whole or in part is only allowed after obtaining written consent from EDBAK Sp. z o.o.
TR5c-B-211001-EN