

# TR1

## FLAT SCREEN TROLLEY

FOR ONE 40"-75" SCREEN

TR1 is a universal video conference trolley for screens up to 75". The lightweight and minimalist design of powder-coated steel and polished tubing makes it perfect for any interior such as offices, conference rooms and waiting rooms. Adjustable height and the possibility of tilting the screen make TR1 extremely functional. TR1 features a cable management system to hide cables and keep the aesthetic, smart appearance of the entire installation. Castors with a braking mechanism ensure mobility.

### FEATURES

- Simple and quick installation
- Aesthetic design of powder-coated steel and polished tubing
- Adjustable height
- Possible tilting
- Cable management for smart installation
- Includes 4 braked casters

### PRODUCT SPECIFICATIONS

Short index	TR1
Category	Flat Screen Trolleys Universal Series
Product group	Trolleys & Stands
Colour	Black
Warranty	Limited 5-years
Number of screens	1
Minimum screen size	40"
Maximum screen size	75"
Maximum load	80 kg
Forward tilting	-6°/+9°
Height adjustment	Yes
VESA Mounting Compatibility	100x100 up to 600x400



40"-75"



100x100  
600x400



-6°/+9°



80 kg



Fully adjustable height



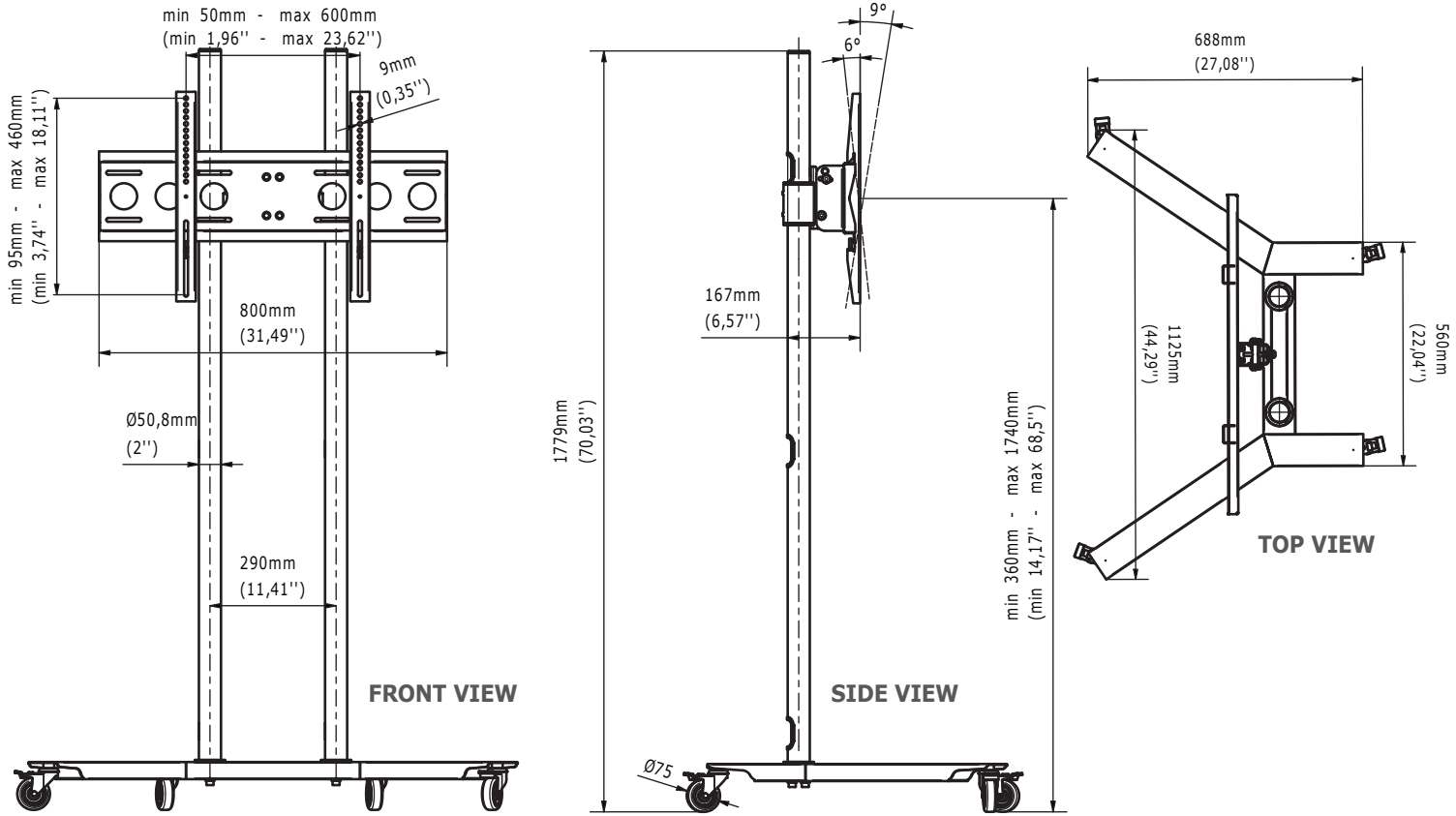
Possibility of tilting the screen from -6° to +9°



Cable management system



Includes 4 locked casters



## TECHNICAL SPECIFICATIONS

Product dimensions	W: 1125 mm D: 688 mm H: 1779 mm (W:44,29" D:27,09" H:70,04")
Product weight	25 kg (55 lb)
Max. distance from the floor to the center of the screen	1740 mm (68,50")
Min. distance from the floor to the center of the screen	360 mm (14,17")
Max. mounting pattern	600 mm x 460 mm
Min. mounting pattern	50 mm x 95 mm

## LOGISTICS DATA

PLEASE NOTE - THIS PRODUCT IS PACKED IN SEVERAL CARDBOARD PACKAGES

SAP INDEX	EAN CODE	COLOUR	PACKAGE DIMENSIONS	PACKAGE WEIGHT
WWTR-TR1c-B	5902841133518	BLACK	1(2) 1735 x 190 x 120 mm 68,31 x 7,48 x 4,72"	1(2) 7,0 kg 15 lb
			2(2) 1210 x 800 x 130 mm 47,64 x 31,50 x 5,12"	2(2) 21,5 kg 47 lb

HS Code (Harmonized System): 732690, HTS Code (Harmonized Tariff Schedule): 7326909890, Country of Origin: Poland

## ACCESSORIES AND RELATED PRODUCTS



TRS1/TRS2



CH4/CH5



TRV200



STD17

2021 - EDBAK Sp. z o.o. All rights reserved.  
The information included in the specification reflects the current technical specifications at the time of printing. We reserve the right to modify technical or physical specifications without prior notice. EDBAK name and EDBAK logo are registered trademarks of EDBAK Sp. z o.o. All EDBAK images and symbols are sole property of EDBAK Sp. z o.o. Edbak shall not be held liable for any loss or damage caused by incorrect installation or mounting. Copying this specification in whole or in part is only allowed after obtaining written consent from EDBAK Sp. z o.o.  
TR1c-B-210601-EN