




## FEATURES

- Adjustable arm length - from 10 to 700 mm
- 360° rotation for portrait or horizontal screen option
- Complete vertical and horizontal adjustability
- Allows dual mounting options: through desk or edge of desk




DESK MONITOR MOUNTS


## TECHNICAL




min.  
75x75 mm  
max.  
100x100 mm



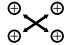
19"-27"




10 kg




360°



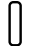
min.  
75x75 mm  
max.  
100x100 mm



160°



360°



min.  
100 mm  
max.  
405 mm

## PRODUCT SPECIFICATION

Dimensions (HxWxD)	Weight	Max capacity	Colour	Packaging dimensions
405x125x700 mm	4.9 kg	10 kg	black silver	480x375x130 mm

## TECHNICAL DRAWINGS

