



Space-saving. Ergonomic. Integrated.

## TABLET HOLDER TABLE CLAMP

Do you prefer a clean desktop? No problem. TABLET HOLDER TABLE CLAMP is an optimal tool for the well-organised, ergonomic workplace. The high-quality design of this tablet holder solution turns flexible and mobile working into a novel experience.

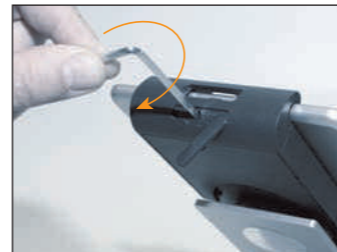
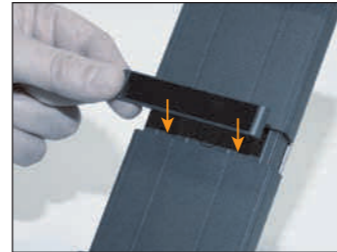
The extreme space-saving fastening solution of this product allows unrestricted use of the entire desktop. The elegant look harmonises perfectly with modern office interiors.

- › For all tablet formats from 7" – 13"
- › Rotatable by 360°, can be used in portrait or landscape format
- › Flexible tilt angle adjustment
- › Can be fastened to the table top with a clamp
- › Anti-theft protection

# 8931-23

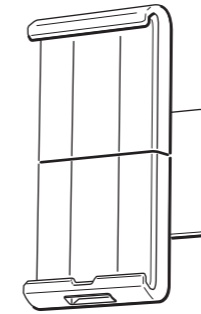
## FUNCTION AND TECHNOLOGY

- › Variable fit for all tablet sizes from 7" to 13"
- › Symmetrical opening of the holder: Dynamic opening dimensions from 160 to 275 mm
- › Easy insertion and removal of the tablet
- › Rotatable: 360° for portrait and landscape format – with snap-in points at every 90°
- › Tablet load capacity: max. 1,000 g
- › Anti-theft protection by inserting the dust-free adhesive strip
- › Effective protection against lateral removal of the tablet PC
- › Locking of the holder with a special key
- › Cable management: Aperture in the holder serves as charging cable outlet for the tablet



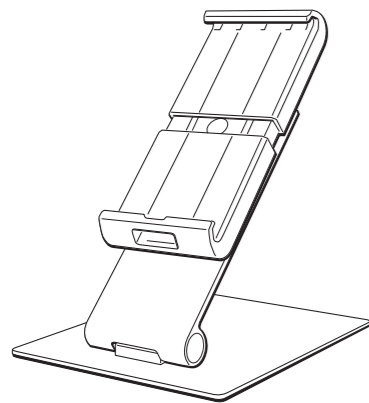
## TABLET HOLDER WALL

- › Materials: Aluminium, ABS
- › Dimensions: 85 x 50 x 180 mm (W x H x D)
- › Weight: 340 g
- › Product # 8933-23



## TABLET HOLDER TABLE

- › Flexible tilt angle adjustment of the arm: 0° to 88°
- › Additional anti-theft protection via cable lock
- › Materials: Sheet steel, aluminium, ABS
- › Dimensions: 155 x 242 x 183 mm (W x H x D)
- › Weight: 1,150 g
- › Product # 8930-23

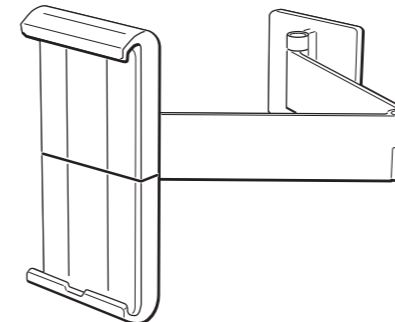


TABLET HOLDER TABLE is fitted with a locking slot for anti-theft protection, for insertion of a MiniSaver™ cable lock from Kensington®. The cable lock is not included in the delivery. Kensington® is a registered trade mark of the ACCO BRANDS CORPORATION, 60047-8997, Lake Zurich, US.



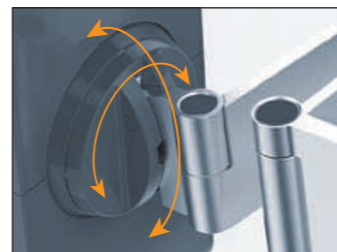
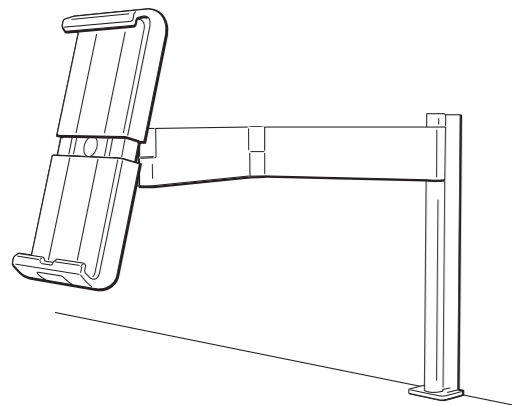
## TABLET HOLDER WALL ARM

- › Tilt angle range of holder: -6° to +46°; rotatable: 170°
- › Arm radius: 365 mm; swivel range: 180°
- › Materials: Sheet steel, aluminium, ABS
- › Dimensions: 95 x 225 x 170 mm (W x H x D)
- › Weight: 650 g
- › Product # 8934-23



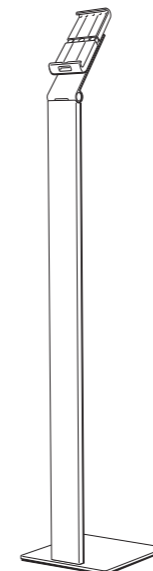
## TABLET HOLDER TABLE CLAMP

- › Height of table column: 295 mm
- › Tilt angle range of holder: -6° to +46°; rotatable: 170°
- › Arm radius: 365 mm; swivel range: 180°
- › Clamping width of table clamp: for up to 40 mm table top thickness
- › Materials: Aluminium, ABS
- › Dimensions: 100 x 440 x 210 mm (W x H x D)
- › Weight: 1,050 g
- › Product # 8931-23



## TABLET HOLDER FLOOR

- › Flexible tilt angle adjustment: 0° to 88°
- › Additional anti-theft protection via cable lock
- › Materials: Sheet steel, aluminium, ABS
- › Dimensions: 270 x 1215 x 270 mm (W x H x D)
- › Weight: 5,100 g
- › Cable conduit with cable manager, adjustable across the entire height range
- › USB connection cable included in the delivery
- › Product # 8932-23



TABLET HOLDER FLOOR comes with a standardised locking slot for insertion of a cable lock for anti-theft protection. The notebook cable lock shown in the picture is not included in the delivery.