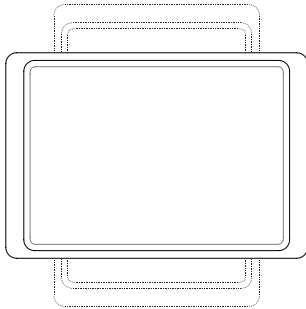


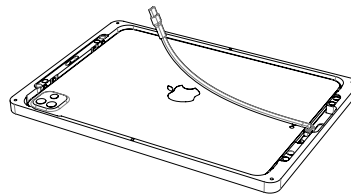


**Companion Wall 2.0.** is a refined and slim iPad wall mount. It is made of precisely machined aluminum with black, white or anthracite powder coated surface. The iPad wall mount is fixed with magnets and comes with a complementary charging cable.

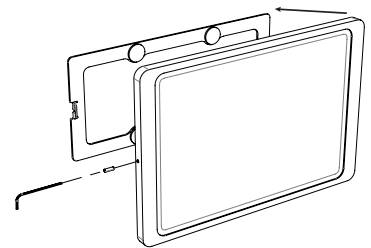
## Product characteristics



vertically  
or horizontally  
mounted on a wall

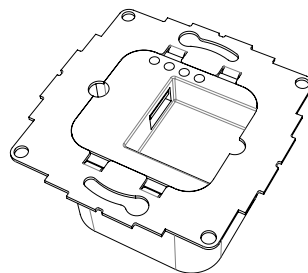


cable hidden  
in the mount



magnetic  
casing lock  
& security screw

## Accessories



USB socket  
or PoE adapter



black powder  
coated - RAL 9005

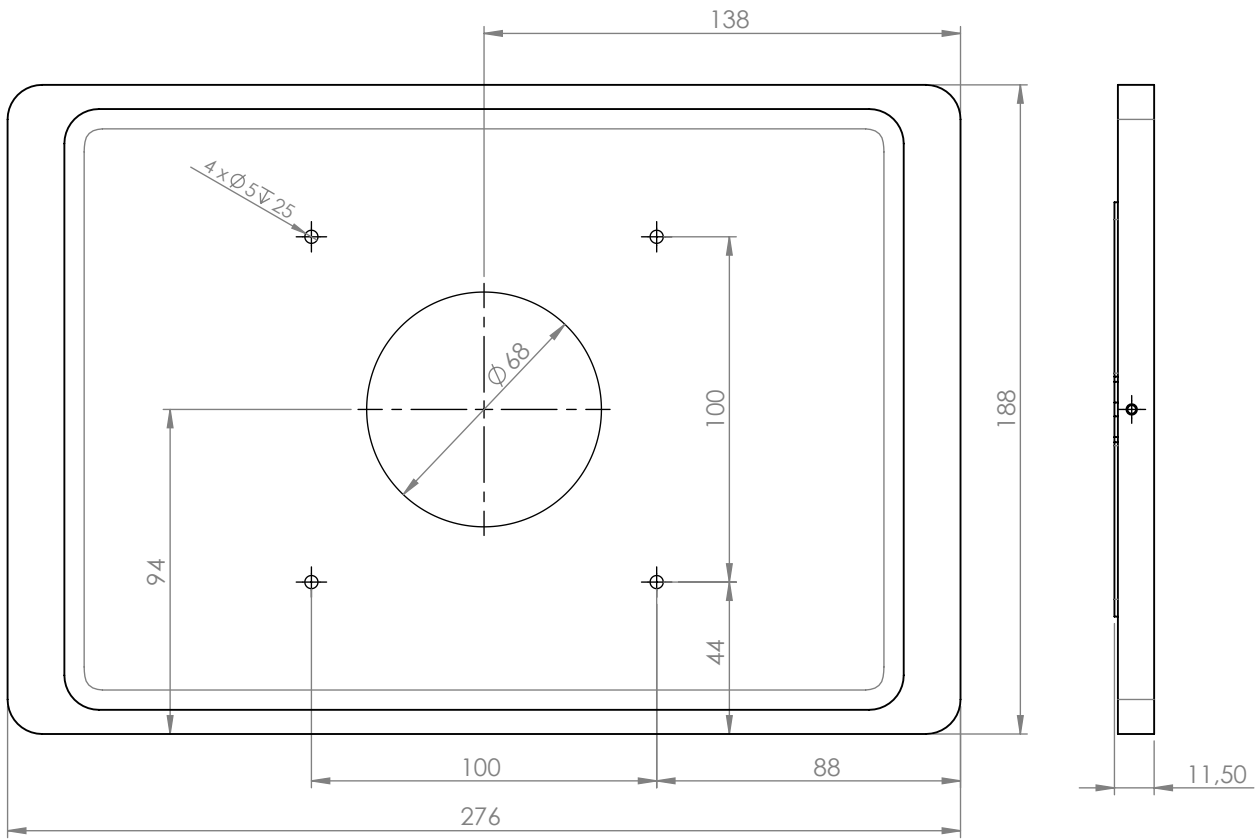


white powder  
coated - RAL 9016

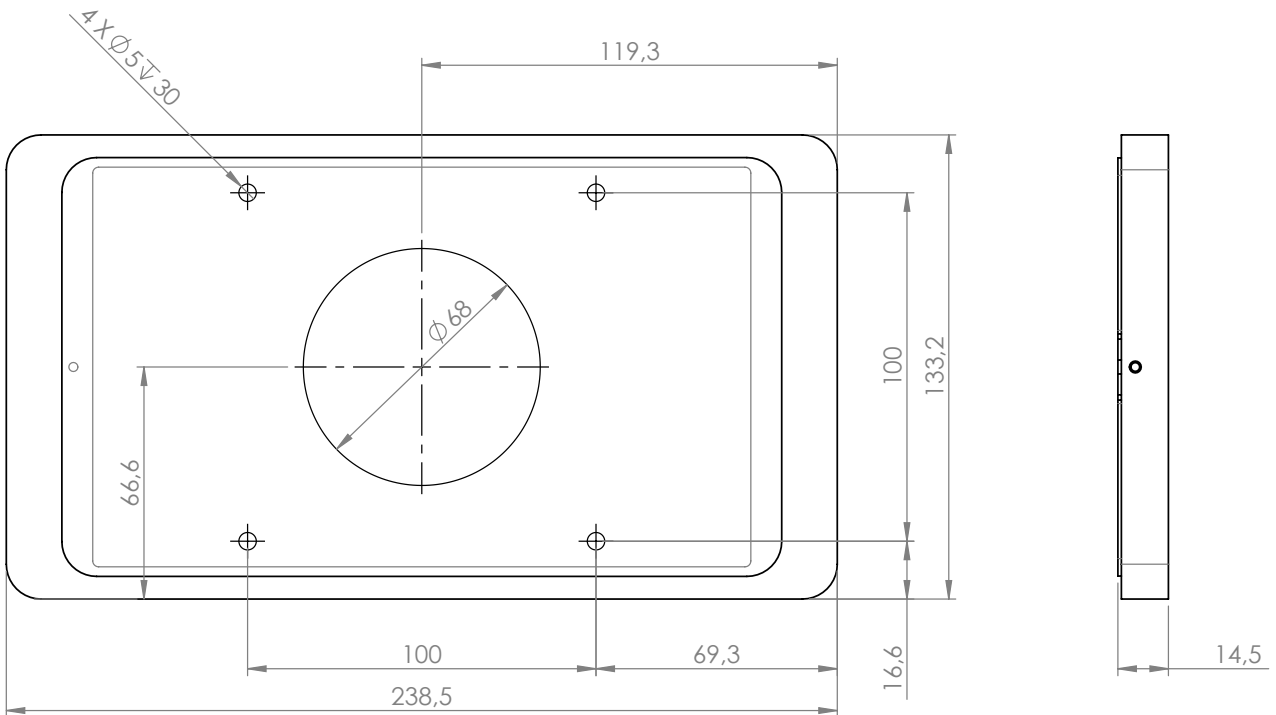


anthracite powder  
coated - RAL 7016

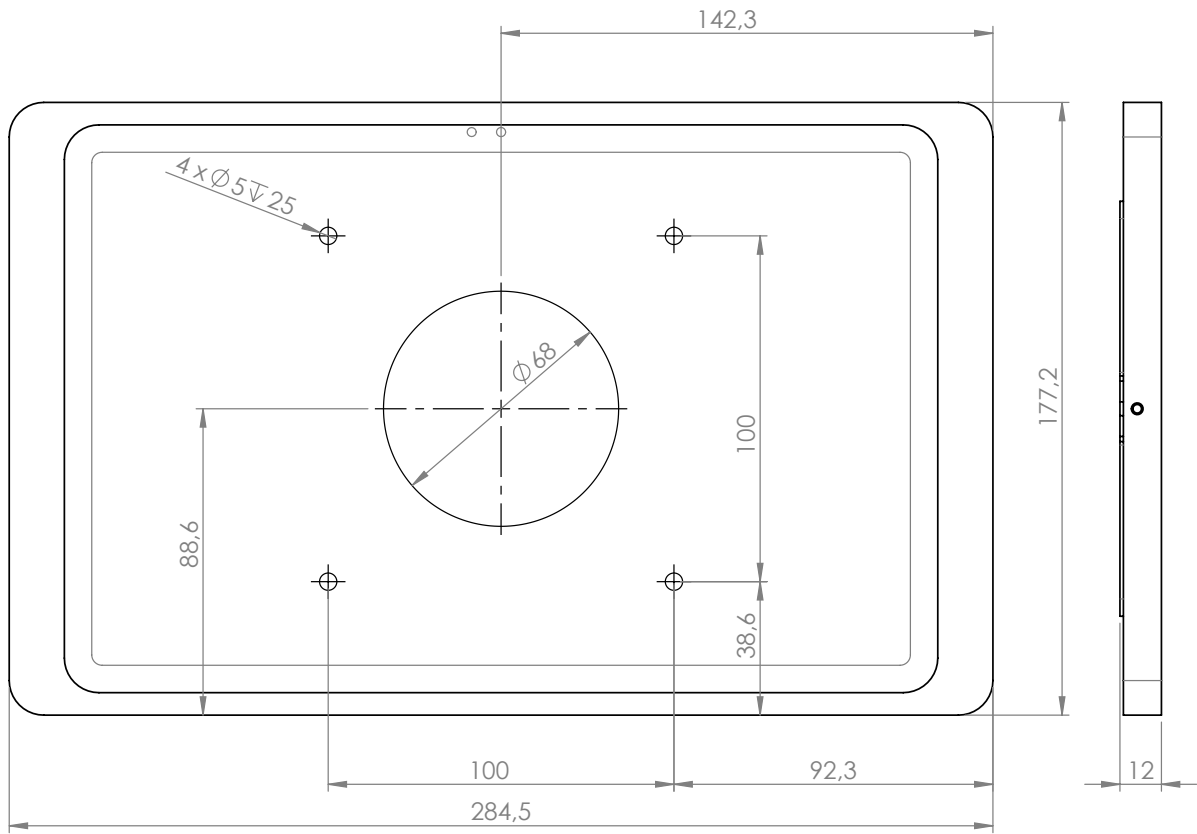
Companion Wall 2.0 for iPad 10.9" / Air 11" / Pro 11"



Companion Wall 2.0 for Samsung Galaxy Tab A9 (SM-X110)



Companion Wall 2.0 for Samsung Galaxy Tab A9+ (SM-X210)



	DSP number	EAN	Product	Compatible devices	Cable	Weight in kg
<b>Companion Wall 2.0</b>	DSP-1-11-1100-00-C	4260600745343	Companion Wall 2.0 for iPad 10.9" / Air 11" / Pro 11" White Powder Coated w. USB-C to USB-C cable	iPad 10.9" (10th gen.)   iPad Air 4 10.9"   iPad Air 5 10.9"   iPad Air 11" (2024)   iPad Pro 11" (1st gen.)   iPad Pro 11" (2nd gen.)   iPad Pro 11" (3rd gen.)   iPad Pro 11" (4th gen.)	USB-C to USB-C included	0.363
	DSP-1-11-1100-02-C	4260600745350	Companion Wall 2.0 for iPad 10.9" / Air 11" / Pro 11" Black Powder Coated w. USB-C to USB-C cable	iPad 10.9" (10th gen.)   iPad Air 4 10.9"   iPad Air 5 10.9"   iPad Air 11" (2024)   iPad Pro 11" (1st gen.)   iPad Pro 11" (2nd gen.)   iPad Pro 11" (3rd gen.)   iPad Pro 11" (4th gen.)	USB-C to USB-C included	0.363
	DSP-1-11-1100-06-C	4260600745749	Companion Wall 2.0 for iPad 10.9" / Air 11" / Pro 11" Anthracite Grey (RAL 7016) Powder Coated w. USB-C to USB-C cable	iPad 10.9" (10th gen.)   iPad Air 4 10.9"   iPad Air 5 10.9"   iPad Air 11" (2024)   iPad Pro 11" (1st gen.)   iPad Pro 11" (2nd gen.)   iPad Pro 11" (3rd gen.)   iPad Pro 11" (4th gen.)	USB-C to USB-C included	0.363
	DSP-1-11-3087-00-C	4260600747583	Companion Wall 2.0 for Samsung Galaxy Tab A9 8.7" White Powder Coated w USB-C to USB-C cable	Samsung Galaxy Tab A9 8.7"	USB-C to USB-C included	0.47
	DSP-1-11-3087-02-C	4260600747590	Companion Wall 2.0 for Samsung Galaxy Tab A9 8.7" Black Powder Coated w USB-C to USB-C cable	Samsung Galaxy Tab A9 8.7"	USB-C to USB-C included	0.47
	DSP-1-11-3110-00-C	4260600747002	Companion Wall 2.0 for Samsung Tab A9+ 11" White Powder Coated w. USB-C to USB-C cable	Samsung Galaxy Tab A9+ 11"	USB-C to USB-C included	0.363
DSP-1-11-3110-02-C	4260600747019	Companion Wall 2.0 for Samsung Tab A9+ 11" Black Powder Coated w. USB-C to USB-C cable	Samsung Galaxy Tab A9+ 11"	USB-C to USB-C included	0.363	
<b>Accessories MSRP</b>	DSP-99-RU2	4260600745442	Rotation Unit 2.0	All Companion Wall 2.0 and Dame Wall 2.0 wall mounts		0.6
	DSP-99-USB	4260600743059	USB electric concealed socket 12 W 2.4 A	for all tablets or wall mounts with USB-A power cable		0.1
	DSP-95-USB	4260600746333	Displine USB-C charger 20W	recommended for all tablets with USB-C port		0.1
	DSP-91-CC	4260600746340	Displine USB-C to USB-C Cable	for tablets with USB-C port and Displine 20W USB-C charger and Displine PoE Converter		0.01
	DSP-91-CA	4260600746357	Displine USB-C to USB-A Cable	for tablets with USB-C port and USB electric concealed socket 12 W 2.4 A		0.01
	DSP-91-LA	4260600746630	Lightning to USB-A Cable	recommended for tablets with Lightning connector		0.01
DSP-95-POE	4260600746845	Displine PoE Converter 22W	USB-C / power + data or only power		0.05	
			Displine GmbH Mainzer Straße 97 65189 Wiesbaden	<b>Contact</b> e-mail: info@displine.com		