

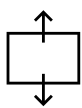
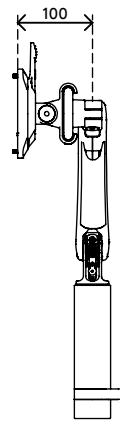
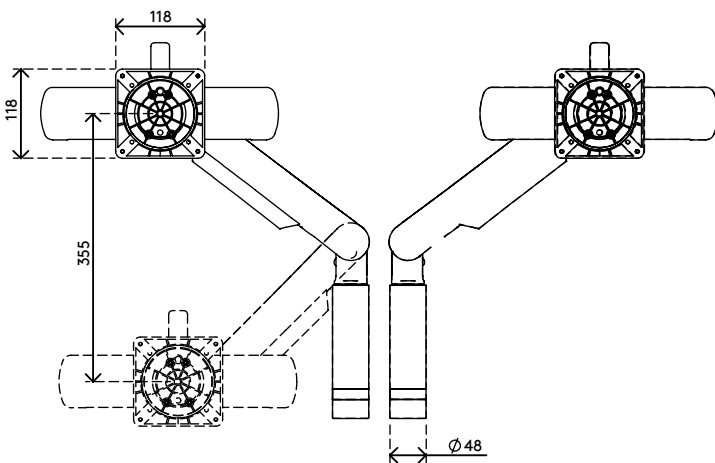
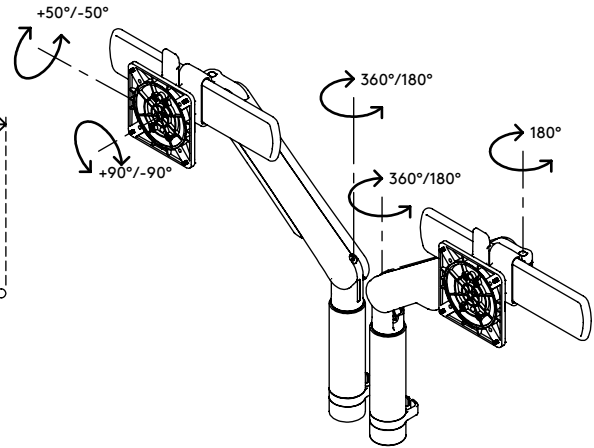
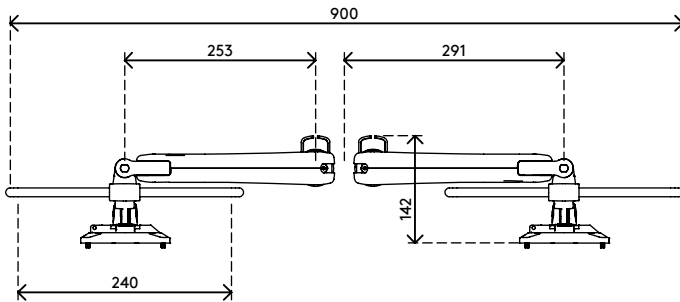
65.210

## Viewprime plus monitor arm – desk 210

The lowest possible footprint and highest usability. The two unique monitor sliders allow users to intuitively move dual monitors individually, but also allow you to move the monitors all the way to the back and still have them align precisely. The high-end gas springs allow for fingertip dynamic height adjustment and its precision engineered joints and monitor sliders for smooth operation when adjusting the monitors in depth. A full feature monitor arm with award winning design.

- Dynamic height adjustment range of 355 mm (14,0")
- Independent depth adjustment of 357 mm (14,1")
- Unique monitor slider feature with 240 mm (9,4") of horizontal adjustment
- Capable of portrait and landscape orientation ( $\pm 90^\circ$  VESA rotation)
- Built-in gas spring
- Tension adjustment indicator for precision installation
- Integrated cable management
- Quick release included
- VESA MIS-D 75 x 75/100 x 100 mm compatible
- Monitor: tilt  $\pm 50^\circ$ , swivel  $\pm 90^\circ$ , rotate  $\pm 90^\circ$
- Arm: swivel  $360^\circ$ , limit can be set to  $180^\circ$
- Weight capacity 1,5 - 8,5 kg (3,3 - 18,7lb.) per monitor
- Monitor size limit: width 812 mm, height 1034 mm
- Desk mount not included, various options available: 65.820, 65.920, 65.940

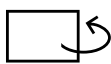
# viewprime <sup>x</sup>



355 mm (14,0")



+50°/-50°



180°



+90°/-90°



1034 mm (40,7")



75 x 75/100 x 100



(2x) 1,5 - 8,5 kg  
(3,3 - 18,7 lb)

Viewprime plus monitor arm – desk 210

2021/03/21

# 65.210

687 x 467 x 94 mm

1 pcs

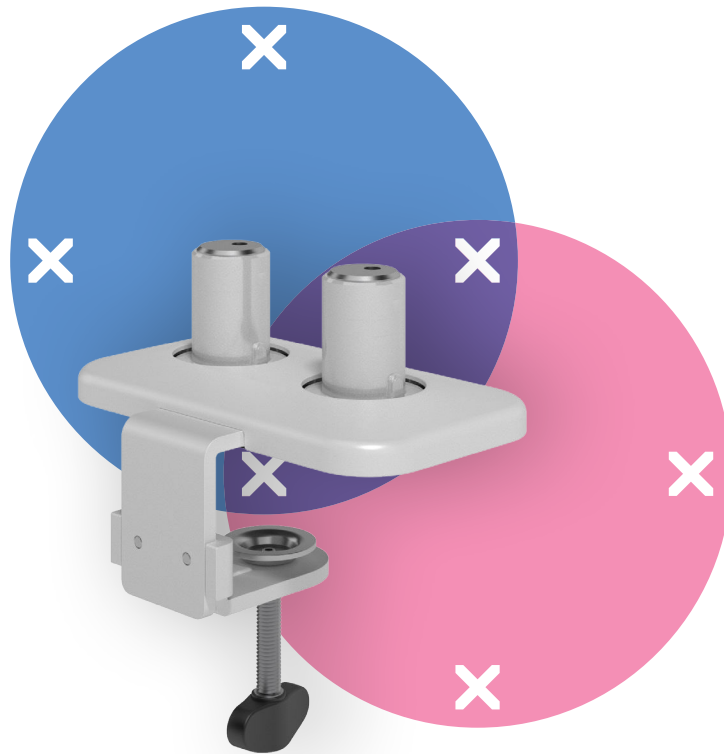
white

5,3 kg

805410652104

# viewprime<sup>x</sup>

Warranty



65.920

## Viewprime desk clamp - mount 920

Our standard desk clamp is ideally for most desks to mount the dual Viewprime plus monitor arm (65.210). Especially if you don't have cable management grommet holes or a M10 bolt hole is not an option, we recommend this mounting option.

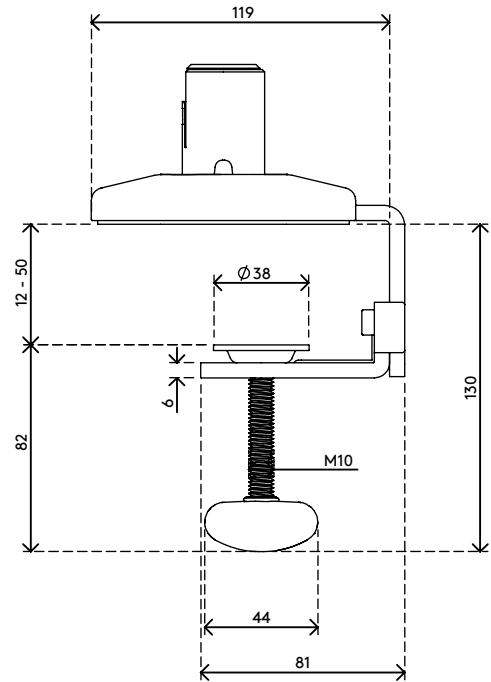
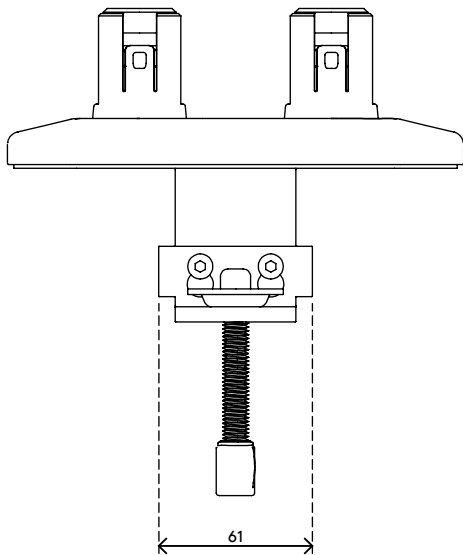
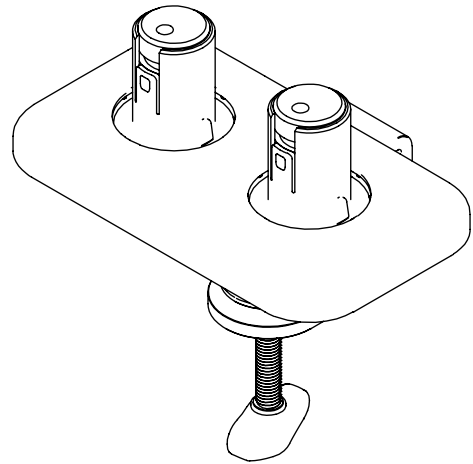
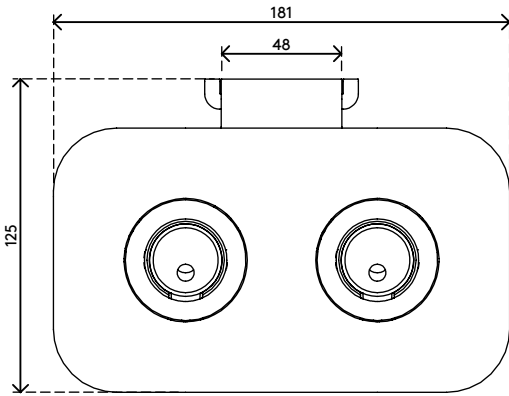
- Suitable for a desktop thickness of 12 up to 50 mm (0,5" -2,0")

- Mounting option for dual Viewprime plus monitor arm 65.210

**dataflex**

feeling at work


# viewprime <sup>x</sup>



## Viewprime desk clamp - mount 920

2021/03/21


# 65.920

 185 x 110 x 110 mm

 1 pcs

 white

 1,662 kg

 805410659202