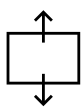
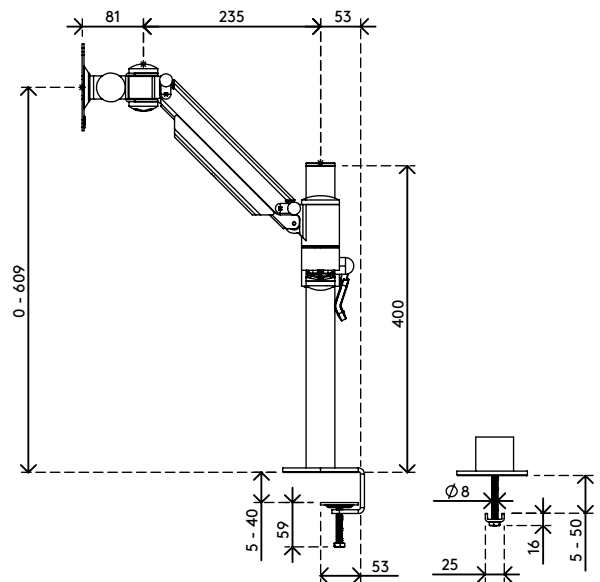
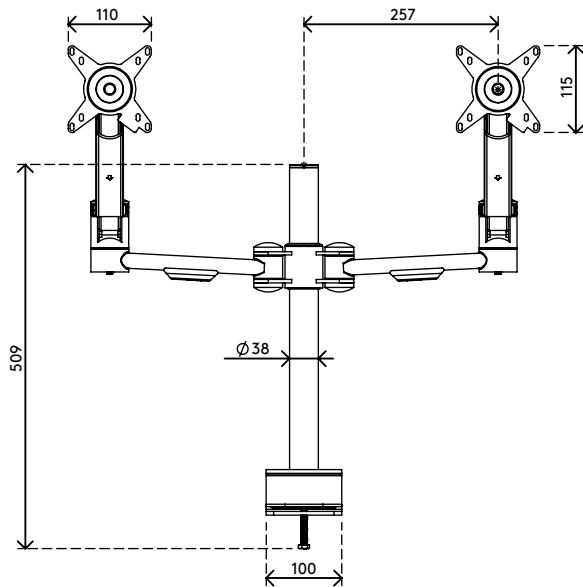
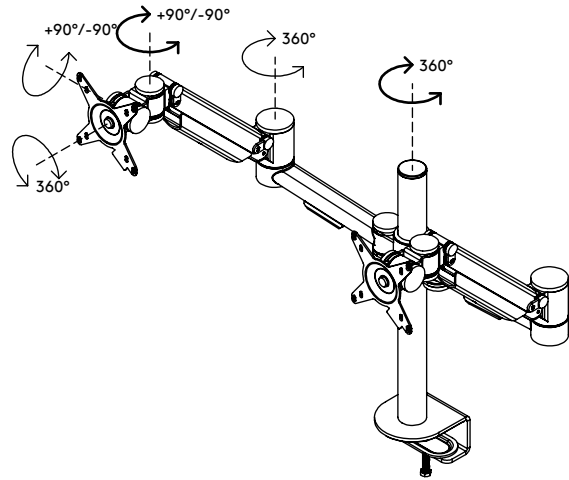
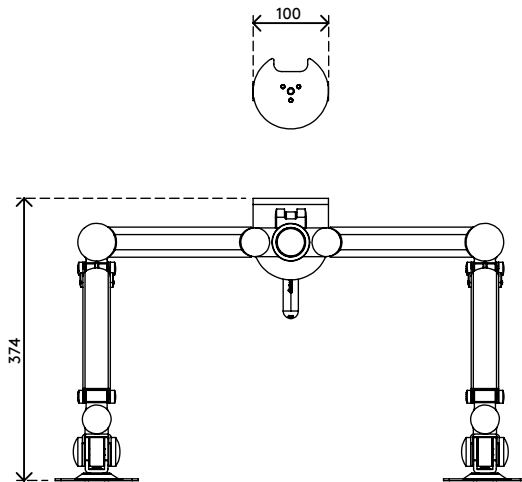


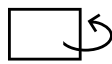
viewmate



609 mm (23,9")



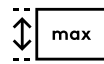
+90°/-90°



+90°/-90°



360°



820 mm (32,3")



75 x 75/100 x 100



2 - 8 kg (4,4 - 17,6 lb)

Viewmate plus monitor arm - desk 862


2020/04/29


52.862

 505 x 300 x 200 mm

 1 pcs

 silver

 8,90 kg

 805410528621