

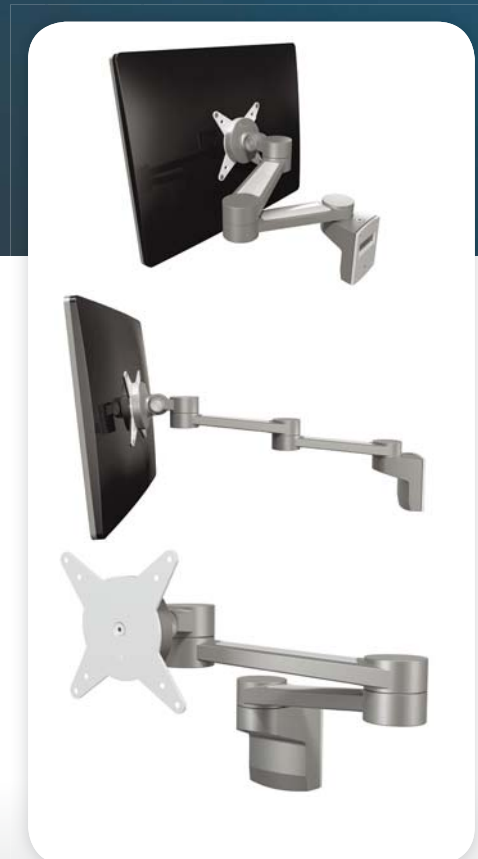


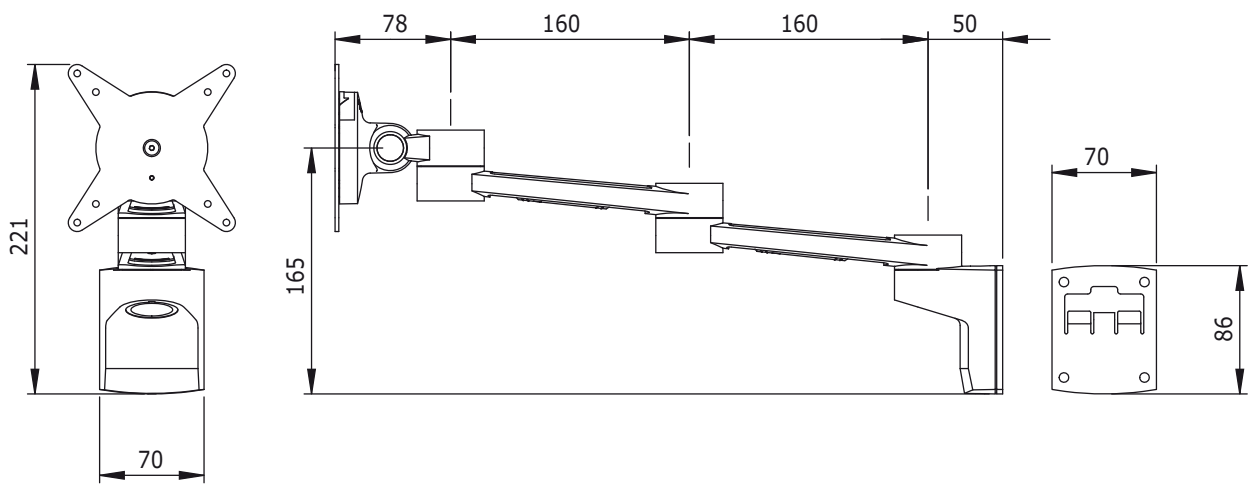
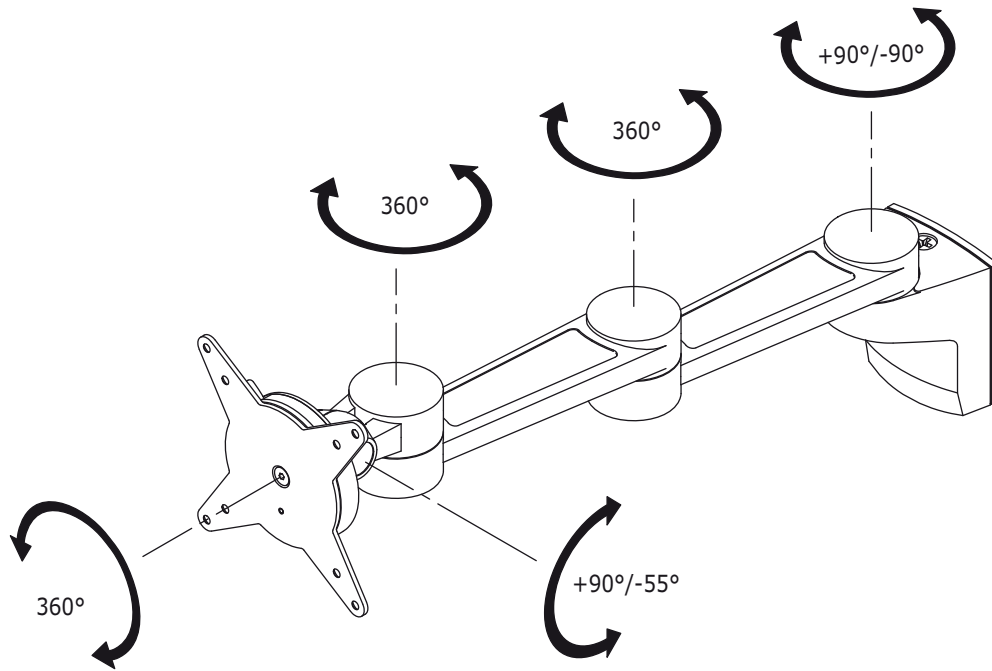
58.222

## ViewLite Monitor Arm 222

The 222 offers the possibility to mount a screen to the wall. This product is equipped with double extensions, allowing independent depth adjustment, making the product suitable for dynamic configurations. Monitor cables can be easily hidden in the extensions of the arm.

- Rotate 360°, tilt: +90°/-55°, swivel 360°
- Easily mounted and adjusted
- Step-less depth adjustment over 450mm
- VESA: MIS-D 75 x 75/100 x 100mm compatible
- Includes advanced and practical Quick Release VESA system
- Max. weight capacity 8kg/monitor (up to 24"/24"W)
- Main components produced from aluminium
- Adjustable monitor rotation lock





VIEWLITE



**DFX:# 58.222**

**silver-white**



**805410582227**



24"W/61cm



8kg



360°



+90°/-55°



360°



75/100mm

Dealer