

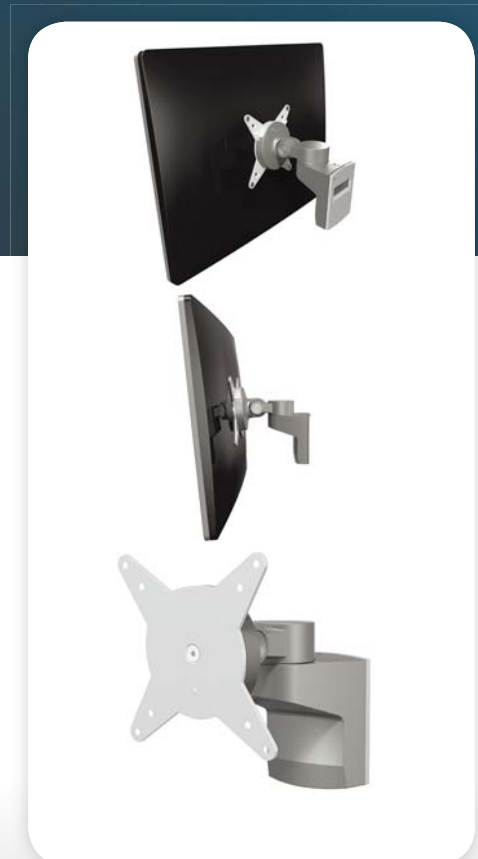


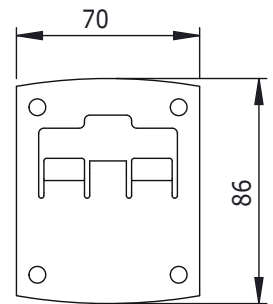
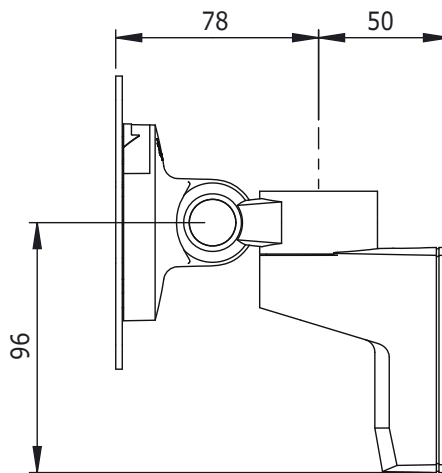
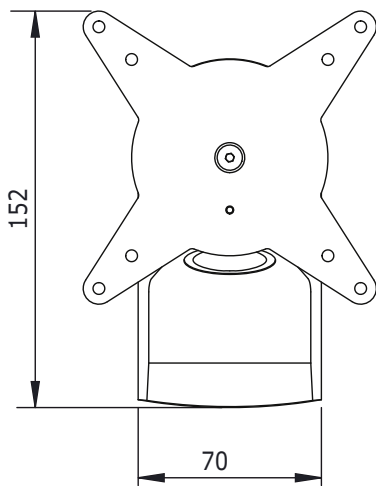
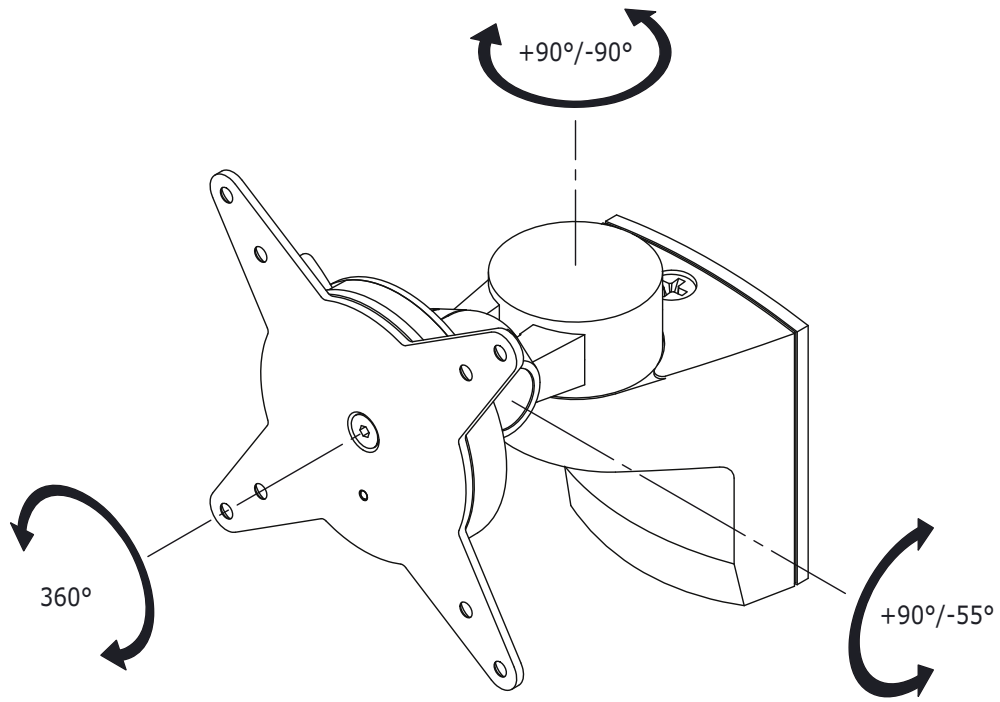
58.202

ViewLite Monitor Arm 202

The 202 offers the possibility to mount a screen onto the wall. This mounting solution completely frees up the desk. After installation, the monitor can be tilted and swiveled to perfectly fine tune its position to its user. This solution can also be used to create LCD walls and can easily be combined with other ViewLite products.

- Rotate 360°, tilt: +90°/-55°, swivel: 180°
- Easily mounted and adjusted
- VESA: MIS-D 75 x 75/100 x 100mm compatible
- Includes advanced and practical Quick Release VESA system
- Max. weight capacity 8kg/monitor (up to 24"/24"W)
- Main components produced from aluminium
- Adjustable monitor rotation lock





DFX.# 58.202

silver-white



805410582029



24"W/61cm



8kg



180°



+90°/-55°



360°



75/100mm

Dealer