

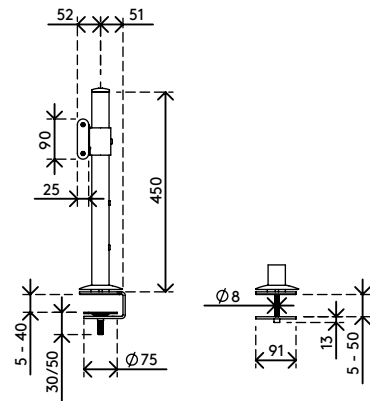
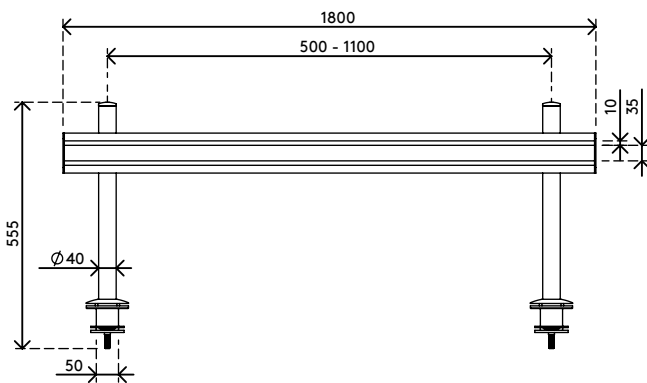
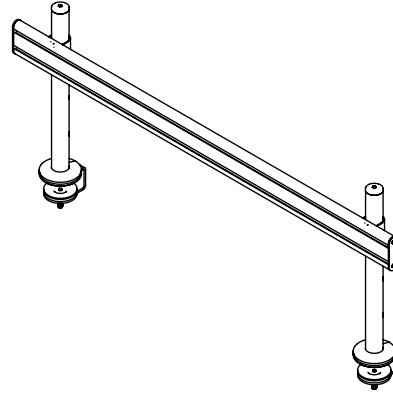
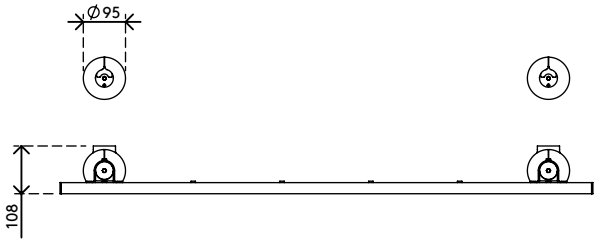
58.705

Viewlite toolbar - desk 705

Because the toolbar is front-mounted, you can adjust the distance between its poles. This lets you install it anywhere on a desk, using either a desk clamp mount or bolt-through desk mount. Cables are easily hidden in the toolbar's cable duct to create a tidy, professional impression.

- Toolbar assembly with a rail length of 1800 mm
- Comes with a desk clamp mount
- Cables run neatly inside the toolbar's cable duct
- Suitable for a desktop thickness of 5 up to 40 mm
- Pole height 450 mm
- Pole diameter 40 mm

viewlite



Viewlite toolbar - desk 702

2022/01/04

58.705



 1 pcs

 silver-white

