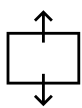
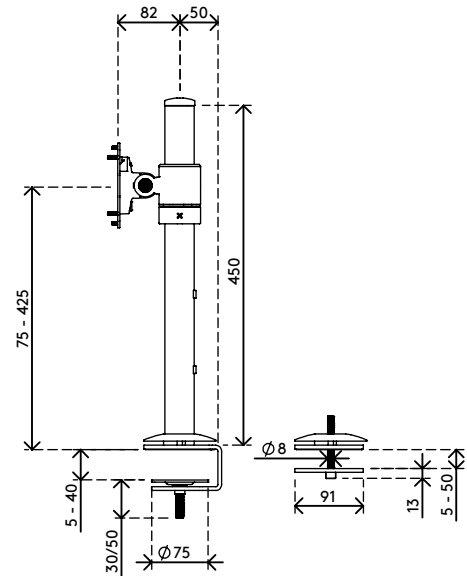
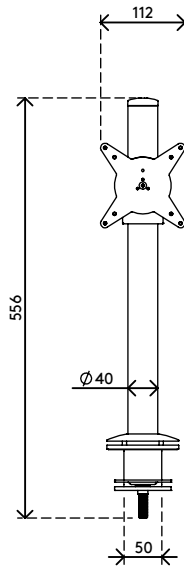
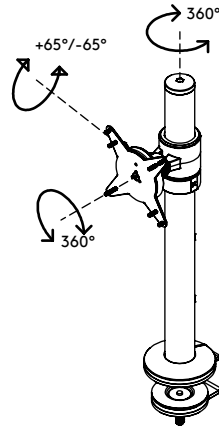
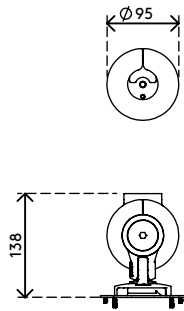


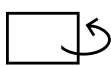
viewlite X



350 mm (13,8")



+65°/-65°



360°



360°



816 mm (32,1")



75 x 75/100 x 100



8 kg (17,6 lb)

Viewlite monitor arm - desk 100

2021/01/05

58.100

622 x 177 x 117 mm

1 pcs

white

3 kg

805410581008