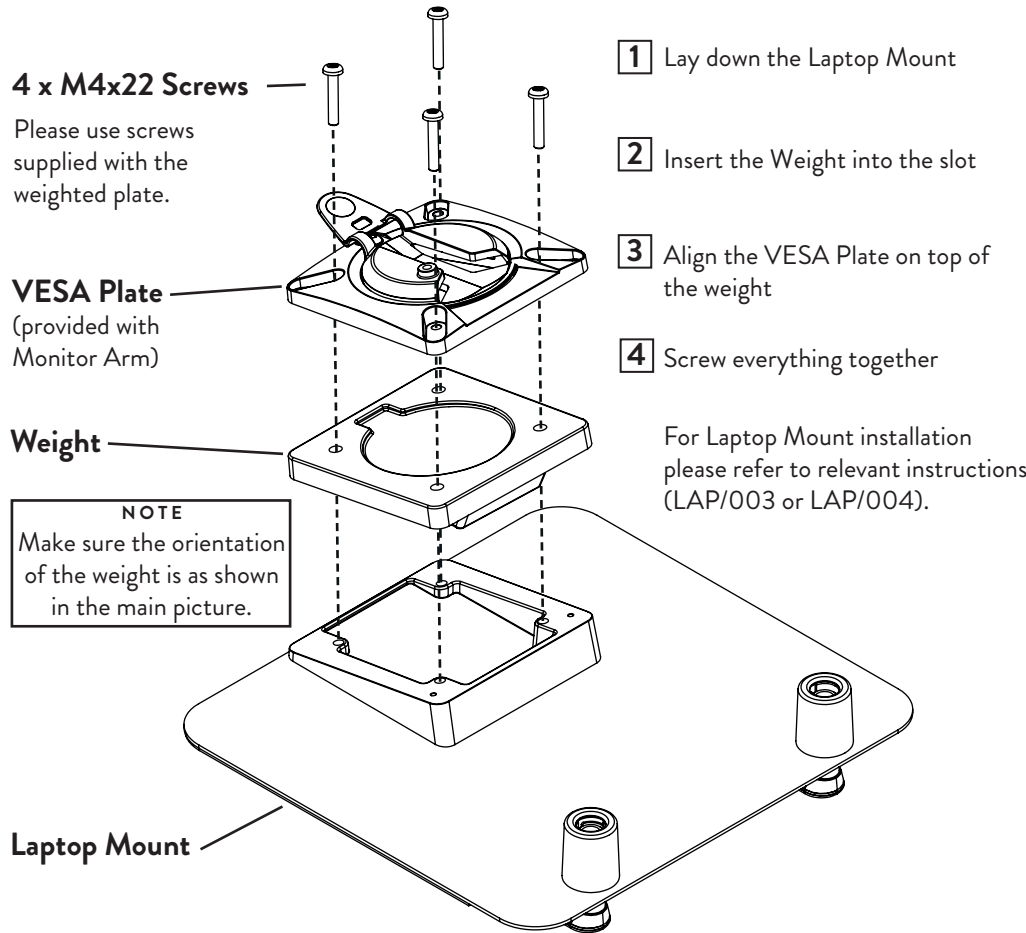


Laptop Mount Weight Instructions LAP/003/WGT



⚠ WARNING


- Do not use this product for any purpose other than that for which it was designed
- Ensure desk/work surface is suitable to take the weight of the arm(s) and device(s)
- Supported weight must not exceed the maximum load per arm
- Take care when installing as fingers could become trapped

⚠ MAINTENANCE and INSPECTION

- Ensure all screws are tightened and occasionally adjust if needed
- Clean with a damp cloth, NO solvents

⚠ DISCLAIMERS

- The use of power tools, lever bars or excessive force during the installation, or re-configuration of the product will invalidate your guarantee
- Failure to observe the recommendations in the use, and configuration of these products may affect your guarantee

 Please consider leaving these instructions with the product if further installation may be required by others

