

Flip

Assembly Instructions

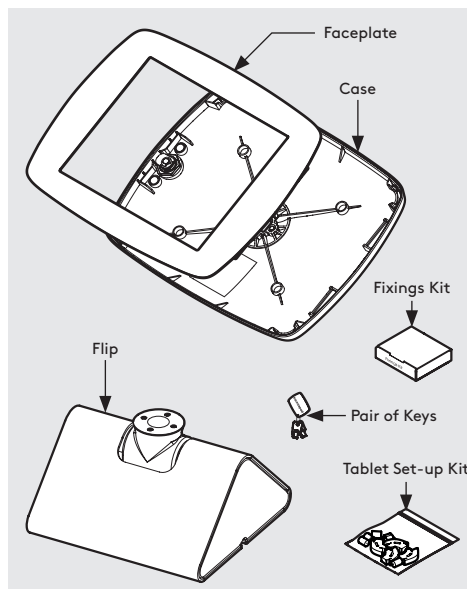
Tools Required:

- All tools provided

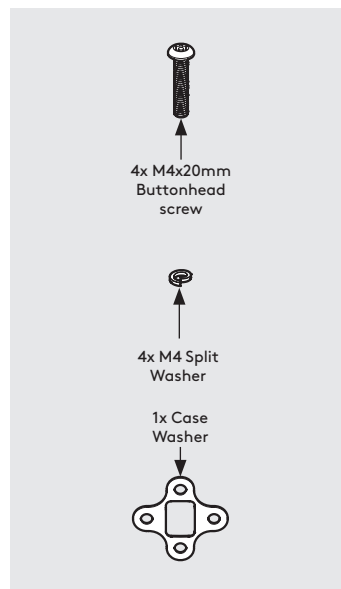
Sheet Code: BP-IM-030_REV1

Release Date: 25/09/2019

Copyright 2016 Spotspot Ltd. (T/A Bouncepad) all rights reserved. Confidential, no part of this publication may be reproduced or transmitted in any form without the written permission of the copyright holder.

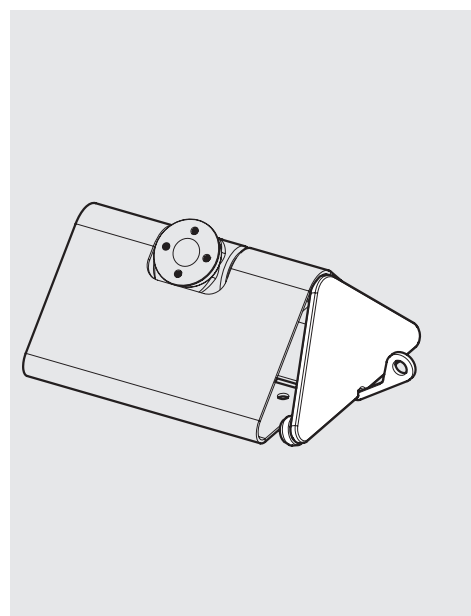


In the Box

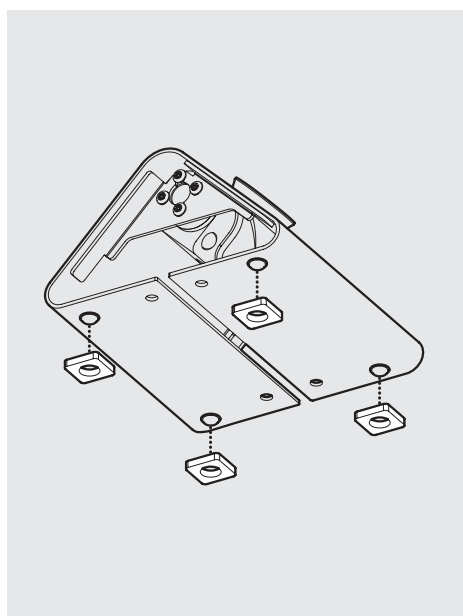


Fixings List

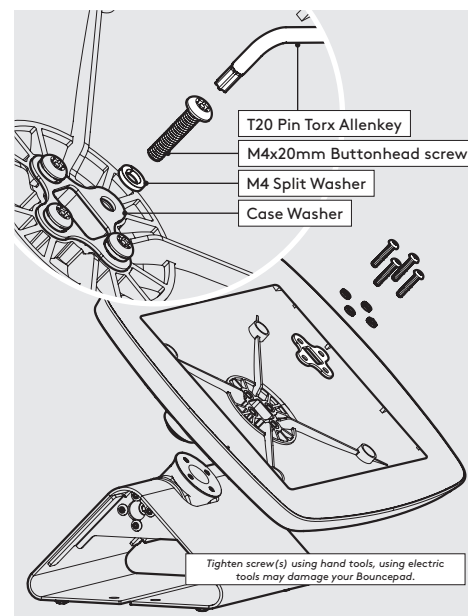
* Due to the modular nature of our product range you may receive additional fixings in the fixings kit



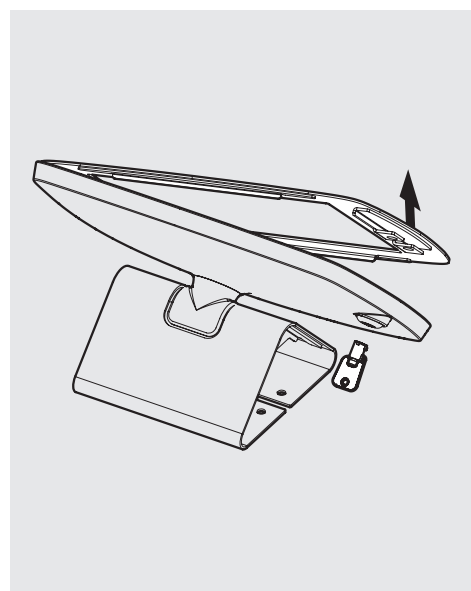
1 Remove the End Plates from the Flip using the supplied tool.



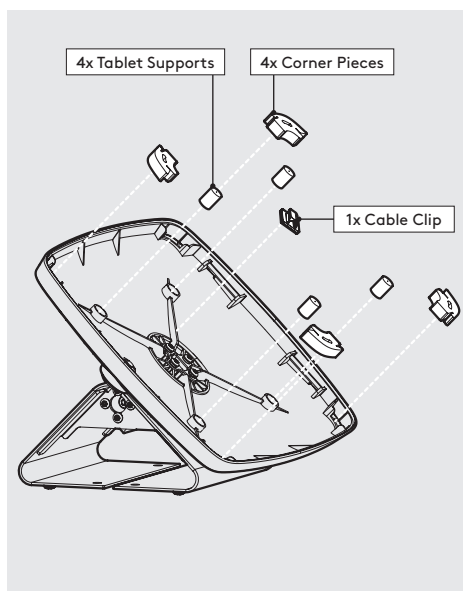
2 If wishing to slide your Flip across your mounting surface, apply the supplied Felt Feet as shown.



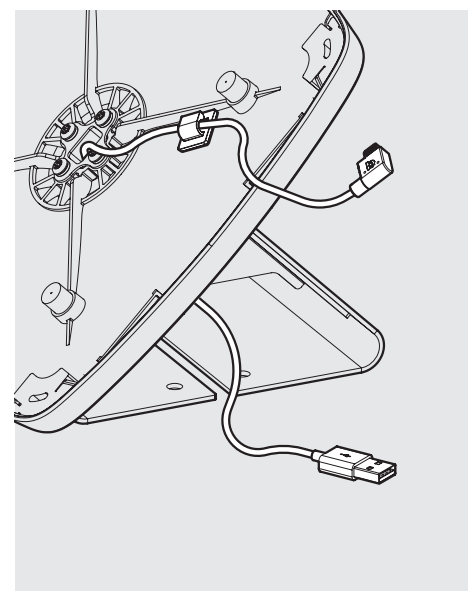
3 Attach the Bouncepad Case to the Flip. Take care to ensure correct & full thread engagement.



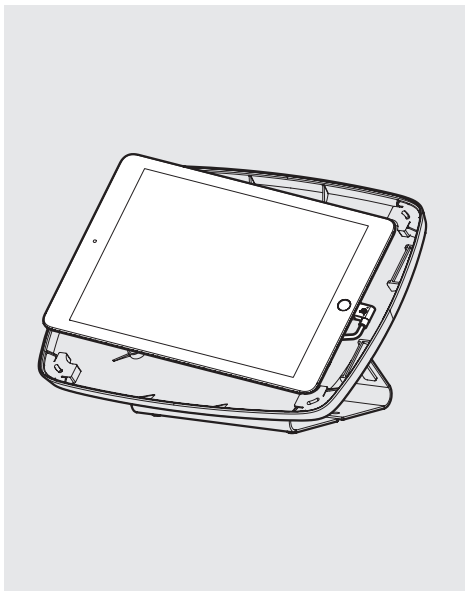
4 Unlock & remove the Faceplate from the Bouncepad Case.



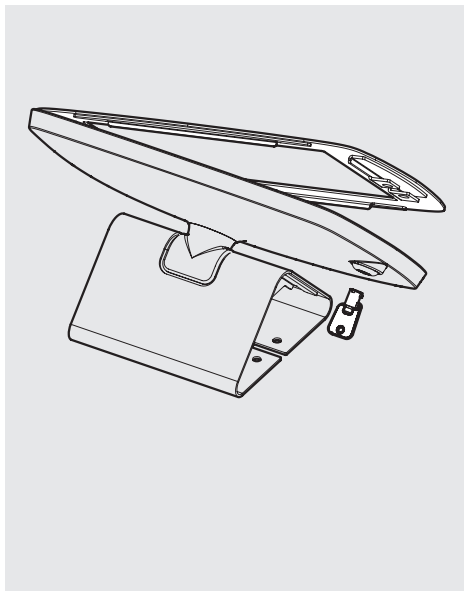
5 Install the Tablet Setup Kit. Each kit is specific per tablet device and Bouncepad Case.



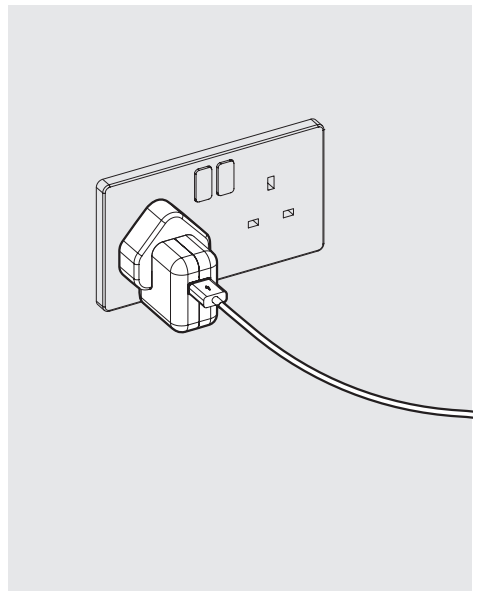
6 Route the Bouncepad Cable through the Case and Flip - securing it with the Cable Clip.



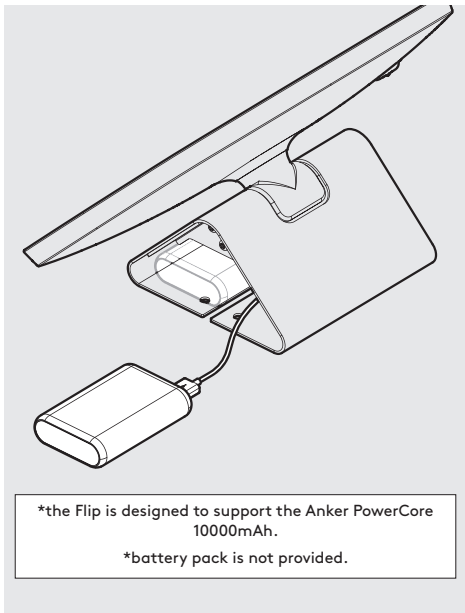
7 Install and connect your chosen tablet into the Bouncepad Case.



8 Locate and lock the Bouncepad Faceplate to the Bouncepad Case - securing your tablet.

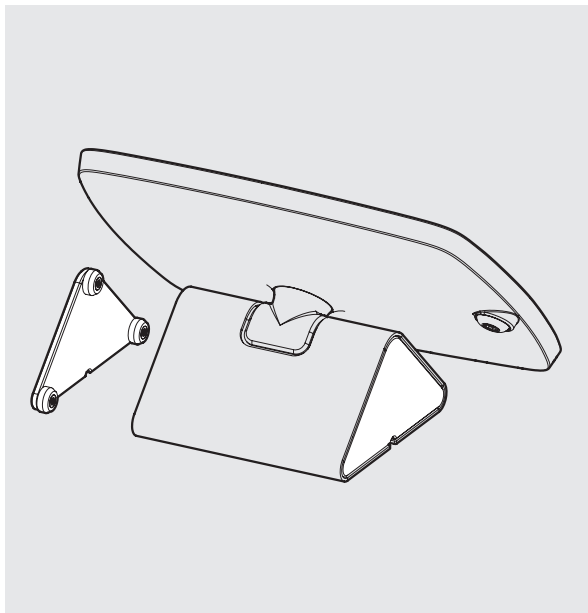


9A Connect the tablet power cable to its mains power source.

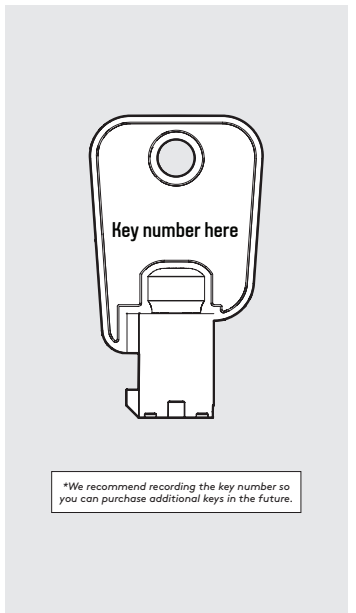


*the Flip is designed to support the Anker PowerCore 10000mAh.
*battery pack is not provided.

9B If installing a battery pack, connect the tablet cable and locate the pack into the Flip.



10 Locate the Flip End Plates onto the Flip Base.



11 Installation is now complete.