

bouncepad®

Click

Assembly Instructions

No tools required for Freestanding

Tools Required to Fix From Above:

- Drill
- 3.5mm Drill bit
- Pencil
- PZ2 Screwdriver
- Tape Measure

Tools Required to Fix From Below:

- Drill
- 5mm Drill bit
- Pencil
- PZ2 Screwdriver
- Tape Measure

Sheet Code: BP-IM-073_REV4

Release Date: 20/12/2021

Copyright 2021 Spotspot Ltd. (T/A Bouncepad) all rights reserved. Confidential, no part of this publication may be reproduced or transmitted in any form without the written permission of the copyright holder.

A	Puck Installation	Mandatory step
B	Disable Rotate	Mandatory if mounting on a vertical surface.
C	Freestanding	Tool-less horizontal mounting
D	Fixing from Above	Suitable if your surface is thicker than 34mm
E	Fixing from Below	Suitable if your surface is thinner than 28mm
F	How to Dock/Undock	Guide for Docking & Undocking your device.
G	Other	Optional security feature.

In the Box Fixings list Manual Step Guide

B2 Locate & secure the provided screw into the Dock as shown.

B3 Reattach & secure the Mount Ring to the Dock.

C Freestanding
*Tool-less installation. Only suitable for horizontal surfaces.

C1 Feed the cable through the Dock.

C2 Remove the backing from all gaskets.

A Puck Installation
*This step is mandatory.

A1 If selected, fit the optional extra Shell Case to your device.

A2 Remove the Puck adhesive backing & locate the Puck level & centrally.

*Before attaching the Puck, fully clean the back of the tablet with the provided wipe and allow it to fully dry.

For optimal adhesion, press firmly & leave for 72hrs in a 20°C environment before use. Do not reposition. Do not use prior to the 72hrs.

B Disable Rotate
*The Dock is configured for rotate by default.
Disable rotate if mounting on a vertical surface.

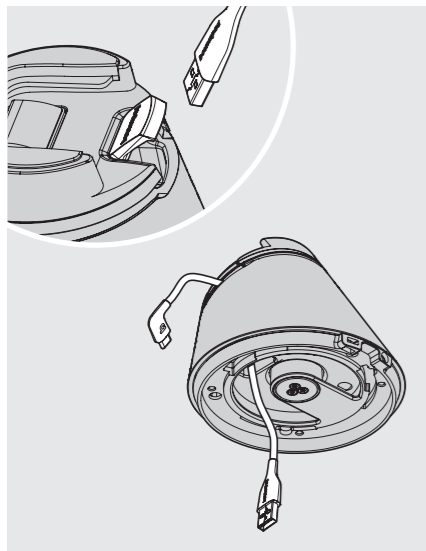
B1 Remove the Mount Ring locking screw, then removing the Mount Ring.

D Fixing from Above
*Suitable if the mounting surface is thicker than: 34mm
Step C is mandatory if mounting on a vertical surface.

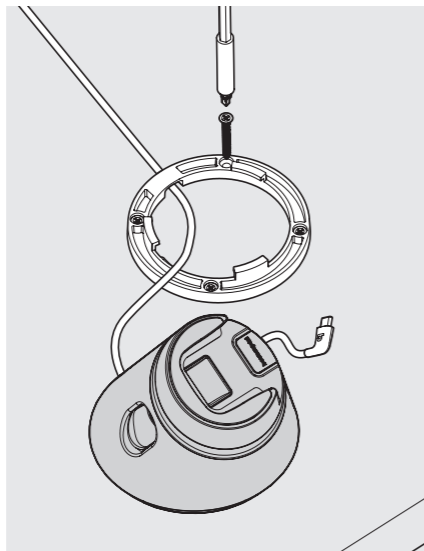
D1 Remove the Mount Ring locking screw before then removing the Mount Ring.

D2 Using the Mount Ring as a template, mark the drill holes.
Recommended minimum distance from wall/back of surface: 140mm

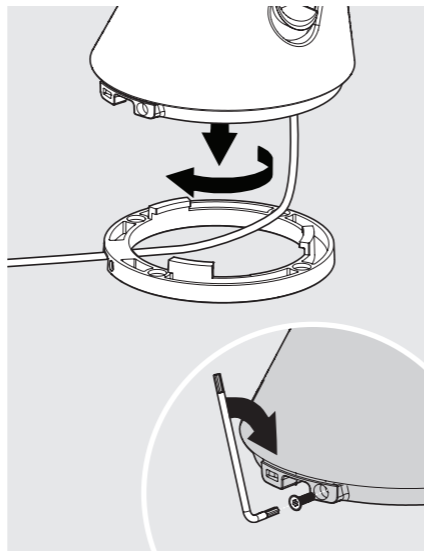
D3 Drill your mounting surface.



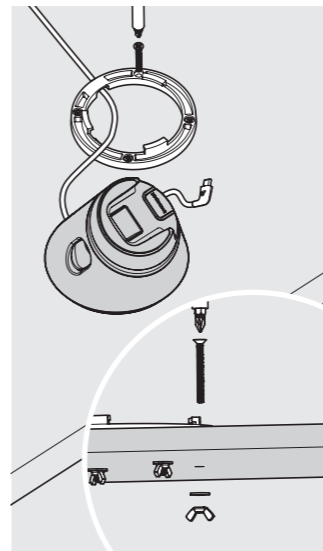
D4 Feed the cable through the Dock.



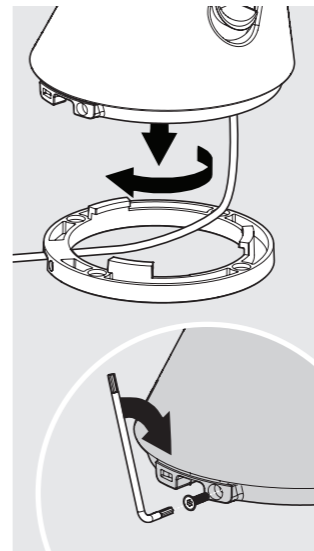
D5 Locate the cable as shown & secure the Mount Ring to your mounting surface.



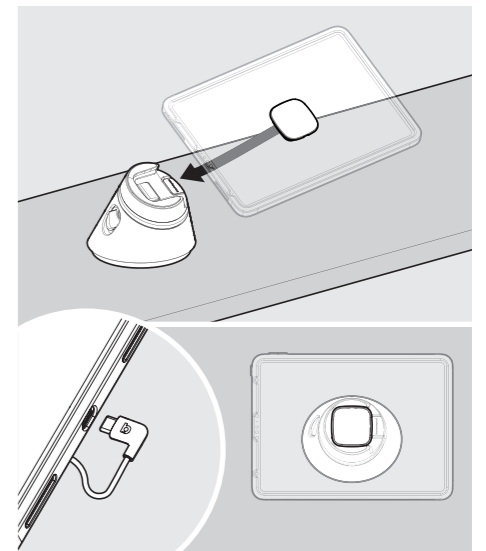
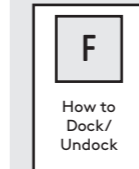
D6 Locate & secure the Dock onto the Mount Ring.



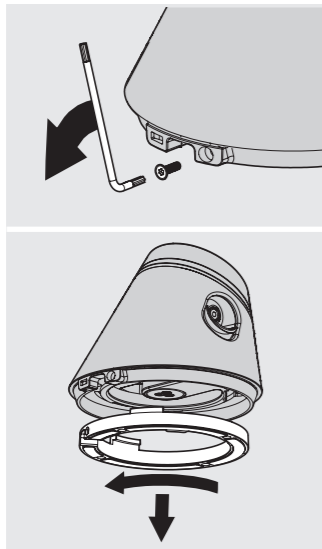
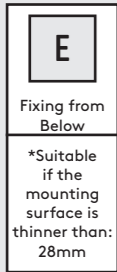
E5 Locate the cable as shown & secure the Mount Ring to your mounting surface.



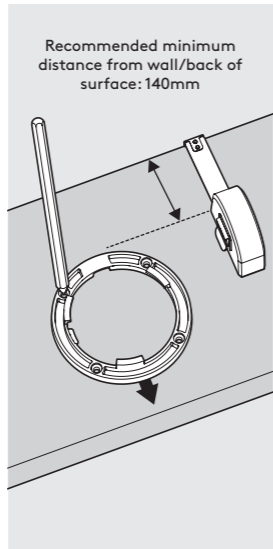
E6 Locate & secure the Dock onto the Mount Ring.



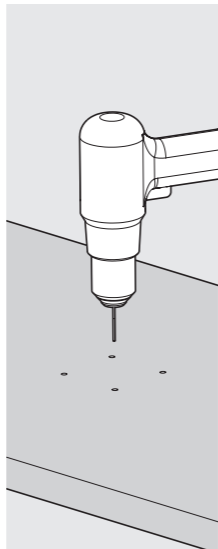
F1 Slide the Puck sideways, fully into the Dock. The Dock retains your device. The cable can now be connected.



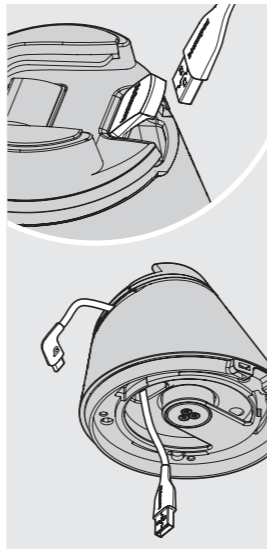
E1 Remove the Mount Ring locking screw before then removing the Mount Ring.



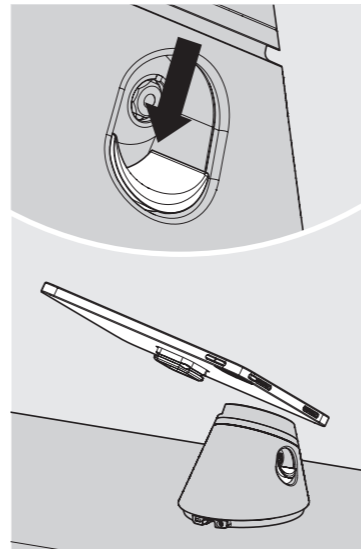
E2 Using the Mount Ring as a template, mark the drill holes.



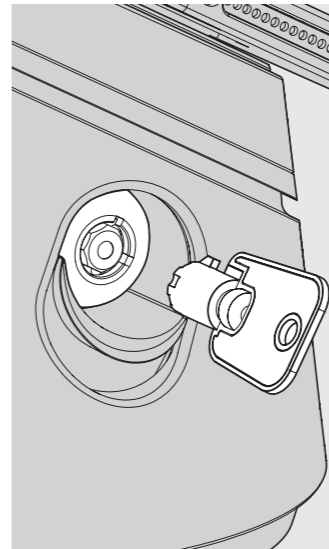
E3 Drill your mounting surface.



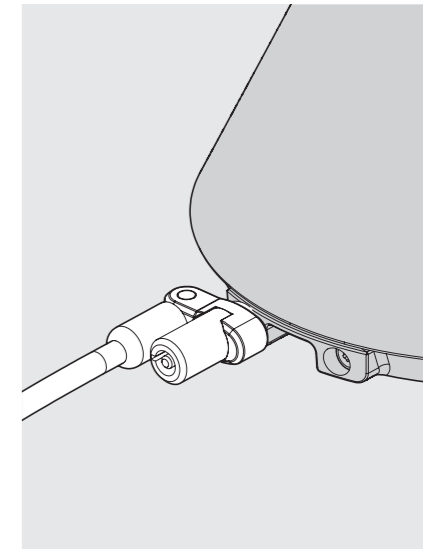
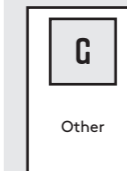
E4 Feed the cable through the Dock.



F2 To undock, depress the release button & simultaneously slide your device out of the Dock.



F3 For added security, lock the Dock with your key whilst your device is Docked.



G1 For additional security, tether your Dock with a Kensington security cable. *Security cable not provided.